



Chipsmall Limited consists of a professional team with an average of over 10 year of expertise in the distribution of electronic components. Based in Hongkong, we have already established firm and mutual-benefit business relationships with customers from,Europe,America and south Asia,supplying obsolete and hard-to-find components to meet their specific needs.

With the principle of “Quality Parts,Customers Priority,Honest Operation,and Considerate Service”,our business mainly focus on the distribution of electronic components. Line cards we deal with include Microchip,ALPS,ROHM,Xilinx,Pulse,ON,Everlight and Freescale. Main products comprise IC,Modules,Potentiometer,IC Socket,Relay,Connector.Our parts cover such applications as commercial,industrial, and automotives areas.

We are looking forward to setting up business relationship with you and hope to provide you with the best service and solution. Let us make a better world for our industry!



## Contact us

Tel: +86-755-8981 8866 Fax: +86-755-8427 6832

Email & Skype: info@chipsmall.com Web: www.chipsmall.com

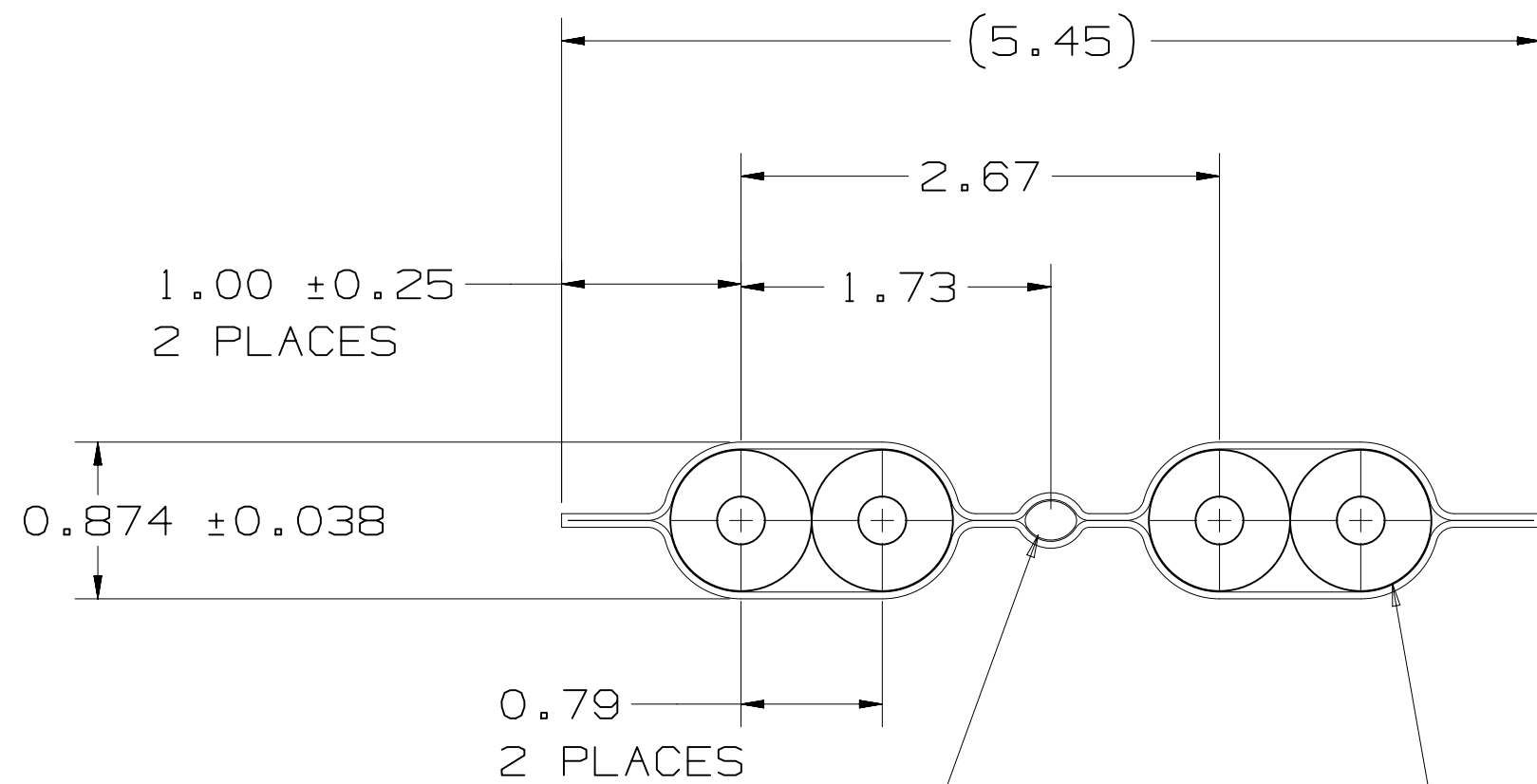
Address: A1208, Overseas Decoration Building, #122 Zhenhua RD., Futian, Shenzhen, China



# 3M™ TWIN AXIAL CABLE, SL8800 SERIES

## NOTES

- 1 DIMENSIONS ARE IN MILLIMETERS.
- 2 PHYSICAL:  
 COLOR: SILVER  
 MARKING:  
 3M (part number) 30 AWG (signal plating) (lot code)  
 EXAMPLE:  
 3M SL8802/04-10DN5-00 30 AWG SILVER TW602-1
- 3 ELECTRICAL:  
 IMPEDANCE: 100 ±5 OHMS
- 4 PRODUCT SPECIFICATION NUMBER:  
 PS-0105
- 5 REGULATORY INFORMATION:  
 ROHS COMPLIANT. SEE THE REGULATORY INFORMATION APPENDIX (RIA) IN THE "ROHS COMPLIANCE" SECTION OF WWW.3MCONNECTORS.COM FOR COMPLIANCE INFORMATION (RIA E1 & C1 APPLY)  
  
 UL FILE NUMBER: E42769
- 6 THE OUTER SURFACE OF THE RIBBON CABLE HAS A METALLIC APPEARANCE, BUT IS NOT CONDUCTIVE. THERE IS A TRANSLUCENT POLYESTER OUTER LAYER OVER AN ALUMINUM SHIELDING LAYER, WHICH GIVES THIS APPEARANCE.  
  
 THE THIN ALUMINUM SHIELDING LAYER IS EXPOSED AT THE RIBBON EDGE. USERS SHOULD ASSESS WHETHER THE EXPOSED EDGE PRESENTS A SHORTING RISK IN THEIR SPECIFIC APPLICATION. INSULATING TAPE MAY BE APPLIED AT THE CABLE ASSEMBLY LEVEL, AS NEEDED, TO COVER THE EXPOSED EDGE IN RISK AREAS.
- 7 FOIL AND INSULATOR STRIPPING BLADE DESIGN DRAWINGS ARE AVAILABLE UPON REQUEST.  
 TOOLING REFERENCE NUMBER:  
 NU14A2



GROUND WIRE:  
 30 AWG SOLID (Ø 0.254 [ .0100 ])  
 TIN PLATED COPPER

SIGNAL WIRES:  
 30 AWG SOLID (Ø 0.254 [ .0100 ])  
 SILVER OR TIN PLATED COPPER  
 Ø 0.787 [ .0310 ]  
 POLYOLEFIN INSULATION  
 4 PLACES

SIGNAL WIRE PLATING OPTION	3M PART NUMBER
SILVER	SL8802/04-10DN5-00
TIN	SL8802/04-11DN5-00

DESIGN REFERENCE	NEXT ASSEMBLY
<del>DISTRIBUTION CODES</del>	<del>DRFT ARM</del>
<del>DIVISION</del>	<del>DIVISION CODE</del>
DO NOT SCALE DRAWING	SCALE 25/1
THIRD ANGLE PROJECTION	TOLERANCES EXCEPT AS NOTED
INTERPRET PER ASME Y14.5 - 1994	INCHES
MAX SURFACE ROUGHNESS 125	MILLIMETERS
<input type="checkbox"/> ALL SURFACES	ANGLES ±1°
<input checked="" type="checkbox"/> MARKED ONLY	

REV A	ECO	ISSUE DATE AND DESCRIPTION	DRFT	CHKD
37561		JAN 25, 2012	LDS	MML
		INITIAL RELEASE		
DATE	DATE	DATE	DATE	DATE
MAR 07, 2011	MAR 07, 2011	JAN 24, 2012		
DATE	DATE	DATE	DATE	DATE
		© 3M COPYRIGHT 2012 This document and the information it contains are 3M property and may not be reproduced or further distributed without 3M permission, or used or disclosed other than for 3M authorized purposes. All rights reserved.		
TITLE				
SL8802/04-1XDN5-00, 100 OHM, 30 AWG, 2PR				
CAGE NUMBER	SIZE	DRAWING NO.	REV.	
C		78-5100-2401-7	A	
MODEL	DET. LISTS	<input type="checkbox"/> YES <input checked="" type="checkbox"/> NO	SHT 1 OF 1	