



Chipsmall Limited consists of a professional team with an average of over 10 year of expertise in the distribution of electronic components. Based in Hongkong, we have already established firm and mutual-benefit business relationships with customers from,Europe,America and south Asia,supplying obsolete and hard-to-find components to meet their specific needs.

With the principle of "Quality Parts,Customers Priority,Honest Operation,and Considerate Service",our business mainly focus on the distribution of electronic components. Line cards we deal with include Microchip,ALPS,ROHM,Xilinx,Pulse,ON,Everlight and Freescale. Main products comprise IC,Modules,Potentiometer,IC Socket,Relay,Connector.Our parts cover such applications as commercial,industrial, and automotives areas.

We are looking forward to setting up business relationship with you and hope to provide you with the best service and solution. Let us make a better world for our industry!



Contact us

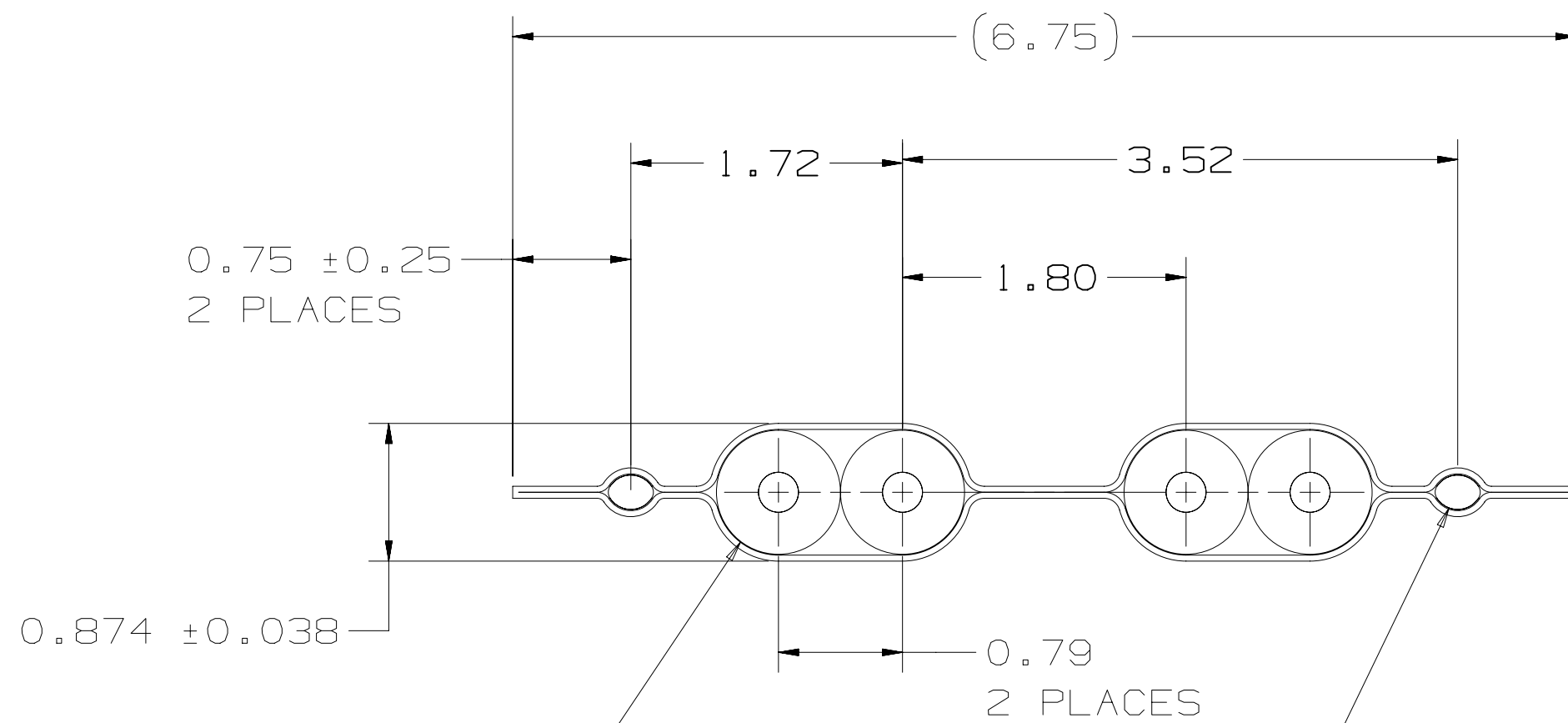
Tel: +86-755-8981 8866 Fax: +86-755-8427 6832

Email & Skype: info@chipsmall.com Web: www.chipsmall.com

Address: A1208, Overseas Decoration Building, #122 Zhenhua RD., Futian, Shenzhen, China



3M™ TWIN AXIAL CABLE, SL8800 SERIES



SIGNAL WIRES:
 30 AWG SOLID (Ø 0.254 [.0100])
 SILVER PLATED COPPER
 Ø 0.787 [.0310]
 POLYOLEFIN INSULATION
 4 PLACES

GROUND WIRES:
 30 AWG SOLID (Ø 0.254 [.0100])
 TIN PLATED COPPER
 2 PLACES

NOTES

- DIMENSIONS ARE IN MILLIMETERS.
- PHYSICAL:
 COLOR: SILVER
 MARKING:
 3M (part number) 30 AWG (signal plating) [VW1] (lot code)

 EXAMPLE:
 3M SL8802/04-50DN5-00 30 AWG SILVER TW602-1

 EXAMPLE VW1:
 3M SL8802/04-5FDN5-00 30 AWG SILVER VW1 TW602-1
- REGULATORY INFORMATION:
 ROHS COMPLIANT. SEE THE REGULATORY INFORMATION APPENDIX (RIA) IN THE "ROHS COMPLIANCE" SECTION OF WWW.3MCONNECTORS.COM FOR COMPLIANCE INFORMATION (RIA E1 & C1 APPLY)

 UL FILE NUMBER: E42769
- THE OUTER SURFACE OF THE RIBBON CABLE HAS A METALLIC APPEARANCE, BUT IS NOT CONDUCTIVE. THERE IS A TRANSLUCENT POLYESTER OUTER LAYER OVER AN ALUMINUM SHIELDING LAYER, WHICH GIVES THIS APPEARANCE.

 THIS CABLE CONSTRUCTION HAS A THIN ALUMINUM LAYER AT EACH EDGE. USER SHOULD EVALUATE ITS USE IN THEIR APPLICATION AND, IF NECESSARY, INSULATING TAPE MAY BE APPLIED TO COVER THE ALUMINUM LAYER, AS USER DEEMS APPROPRIATE.
- FOIL AND INSULATOR STRIPPING BLADE DESIGN DRAWINGS ARE AVAILABLE UPON REQUEST.
 TOOLING REFERENCE NUMBER: NU14A1

B	44896	DEC 18, 2012	JNC	ML
		ADD VW-1 PART NUMBER, RE-DIM DWG & REVISE NOTE 4		
A	37561	JAN 25, 2012	ARM	MML
		INITIAL RELEASE		

	HORIZONTAL FLAME VERSION	VW1 VERSION
SILVER SIGNAL WIRE PLATING	SL8802/04-50DN5-00	SL8802/04-5FDN5-00
PRODUCT SPEC.	PS-0105	PS-0163
IMPEDANCE SPEC.	100 ±5 OHMS	95 ±5 OHMS

DESIGN REFERENCE NEXT ASSEMBLY

DISTRIBUTION CODES		
DIVISION	DIVISION CODE	
DO NOT SCALE DRAWING	SCALE 25/1	TOLERANCES EXCEPT AS NOTED
THIRD ANGLE PROJECTION	INCHES .0 ± .00 ± .000 ± .0000 ± MILLIMETERS 0 ± .0 ± .00 ± .10 .000 ± ANGLES ±1°	
INTERPRET PER ASME Y14.5 - 1994		
MAX SURFACE ROUGHNESS 125	<input type="checkbox"/> ALL SURFACES <input checked="" type="checkbox"/> MARKED ONLY	

REV	ECO	ISSUE DATE AND DESCRIPTION	DRFT	CHKD
DATE	MAR 07, 2011	MFG		DATE
CHKD	M LETTNAG	DATE	JAN 24, 2012	APPVL
		DATE		

3M 3M Center St. Paul, MN 55144

© 3M COPYRIGHT 2013
 This document and the information it contains are 3M property and may not be reproduced or further distributed without 3M permission, or used or disclosed other than for 3M authorized purposes. All rights reserved.

TITLE
 SL8802/04-5XDN5-00,
 100 OHM, 30 AWG, 2PR

CAGE NUMBER	SIZE	DRAWING NO.	REV.
C		78-5100-2400-9	B

MODEL
 DET. LISTS YES NO SHT 1 OF 1