



Chipsmall Limited consists of a professional team with an average of over 10 year of expertise in the distribution of electronic components. Based in Hongkong, we have already established firm and mutual-benefit business relationships with customers from,Europe,America and south Asia,supplying obsolete and hard-to-find components to meet their specific needs.

With the principle of “Quality Parts,Customers Priority,Honest Operation,and Considerate Service”,our business mainly focus on the distribution of electronic components. Line cards we deal with include Microchip,ALPS,ROHM,Xilinx,Pulse,ON,Everlight and Freescale. Main products comprise IC,Modules,Potentiometer,IC Socket,Relay,Connector.Our parts cover such applications as commercial,industrial, and automotives areas.

We are looking forward to setting up business relationship with you and hope to provide you with the best service and solution. Let us make a better world for our industry!



Contact us

Tel: +86-755-8981 8866 Fax: +86-755-8427 6832

Email & Skype: info@chipsmall.com Web: www.chipsmall.com

Address: A1208, Overseas Decoration Building, #122 Zhenhua RD., Futian, Shenzhen, China

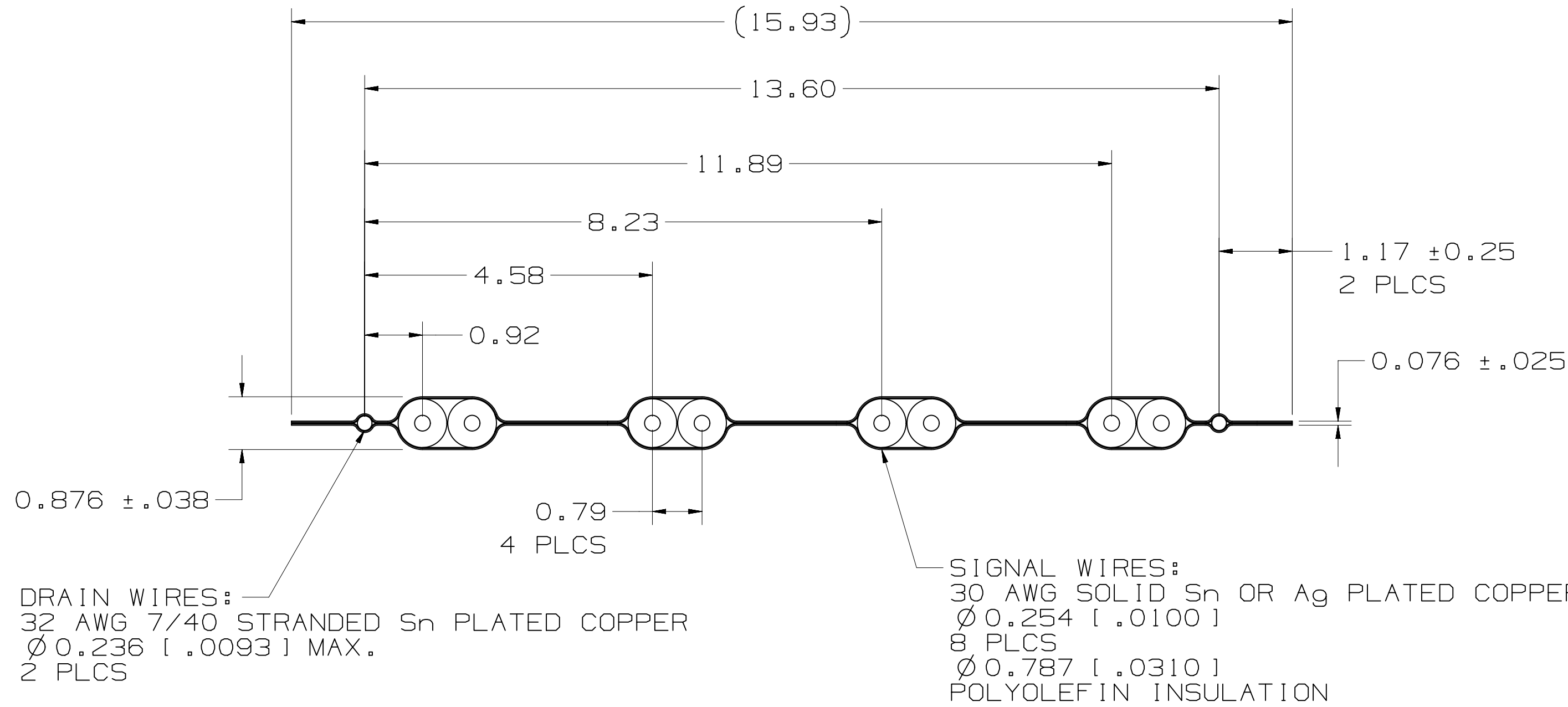


3M™ TWIN AXIAL CABLE, SL8800 SERIES

NOTES

- DIMENSIONS ARE IN MILLIMETERS.
- PHYSICAL:
INSULATION MATERIAL: POLYOLEFIN
COLOR: SILVER
MARKING: NONE
- ELECTRICAL:
IMPEDANCE: 100 ±5 OHMS
- PRODUCT SPECIFICATION: # PS-0079
- THIS UNIQUE CABLE CONSTRUCTION HAS A THIN ALUMINUM INNER LAYER EXPOSED AT EACH EDGE. USERS SHOULD ASSESS WHETHER THE EXPOSED EDGE PRESENTS A SHORTING RISK IN THEIR SPECIFIC APPLICATION. INSULATING TAPE MAY BE APPLIED AT THE CABLE ASSEMBLY LEVEL, AS NEEDED TO COVER THIS EXPOSED EDGE IN RISK AREAS.
- REGULATORY INFORMATION:
ROHS COMPLIANT. SEE THE REGULATORY INFORMATION APPENDIX (RIA) IN THE "ROHS COMPLIANCE" SECTION OF WWW.3MCONNECTOR.COM FOR COMPLIANCE INFORMATION (RIA E1 & C1 APPLY)

UL FILE NUMBER: E42769
- FOIL-STRIPPING PROFILED BLADE DESIGN
DRAWING: 12-2678-5168-6



PLATING OPTION	PART NUMBER
Ag	SL8802/08-201N5-00
Sn	SL8802/08-211N5-00

B	32780	MAR 04,2011	LDS	DD
A	30167	AUG 09,2010	ML	ML
REV	ECO	ISSUE DATE AND DESCRIPTION	DRFT	CHKD

DESIGN REFERENCE		NEXT ASSEMBLY	
DISTRIBUTION CODES		DRFT	DATE
		L SCHMIDT	MAR 04,2011
		CHKD	DATE
			APPVL
			DATE
DIVISION		DIVISION CODE	
DO NOT SCALE DRAWING	SCALE NTS	TOLERANCES EXCEPT AS NOTED	
THIRD ANGLE PROJECTION		INCHES	
INTERPRET PER ASME Y14.5 - 1994		MILLIMETERS	
MAX SURFACE ROUGHNESS		ANGLES ±1°	
125	<input type="checkbox"/> ALL SURFACES		
	<input checked="" type="checkbox"/> MARKED ONLY		
3M Center St. Paul, MN 55144		© 3M COPYRIGHT 2011 This document and the information it contains are 3M property and may not be reproduced or further distributed without 3M permission, or used or disclosed other than for 3M authorized purposes. All rights reserved.	
TITLE			
3M RIBBON TWIN AXIAL CABLE, SL8802/08, 4 PAIR, 2 DRAINS			
CAGE NUMBER	SIZE	DRAWING NO.	REV.
C		78-5100-2361-3	B
MODEL		DET. LISTS	YES <input type="checkbox"/> NO <input checked="" type="checkbox"/>
		SHT 1 OF 3	

Visit <http://www.3mconnector.com>

78-5100-2361-3
DRAWING NUMBER

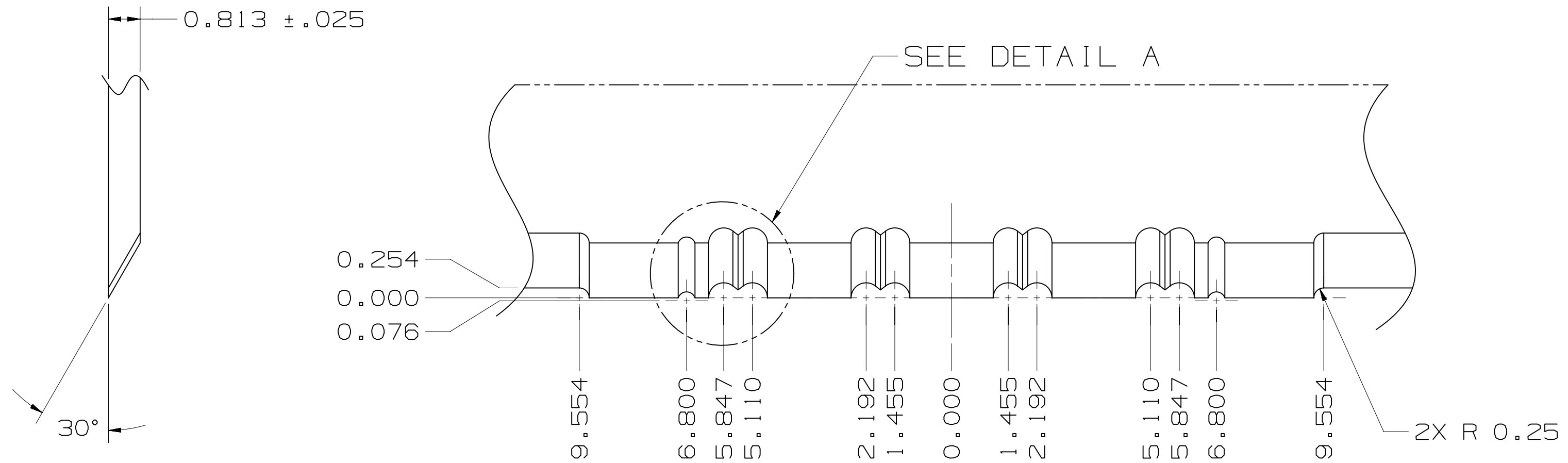
B

A

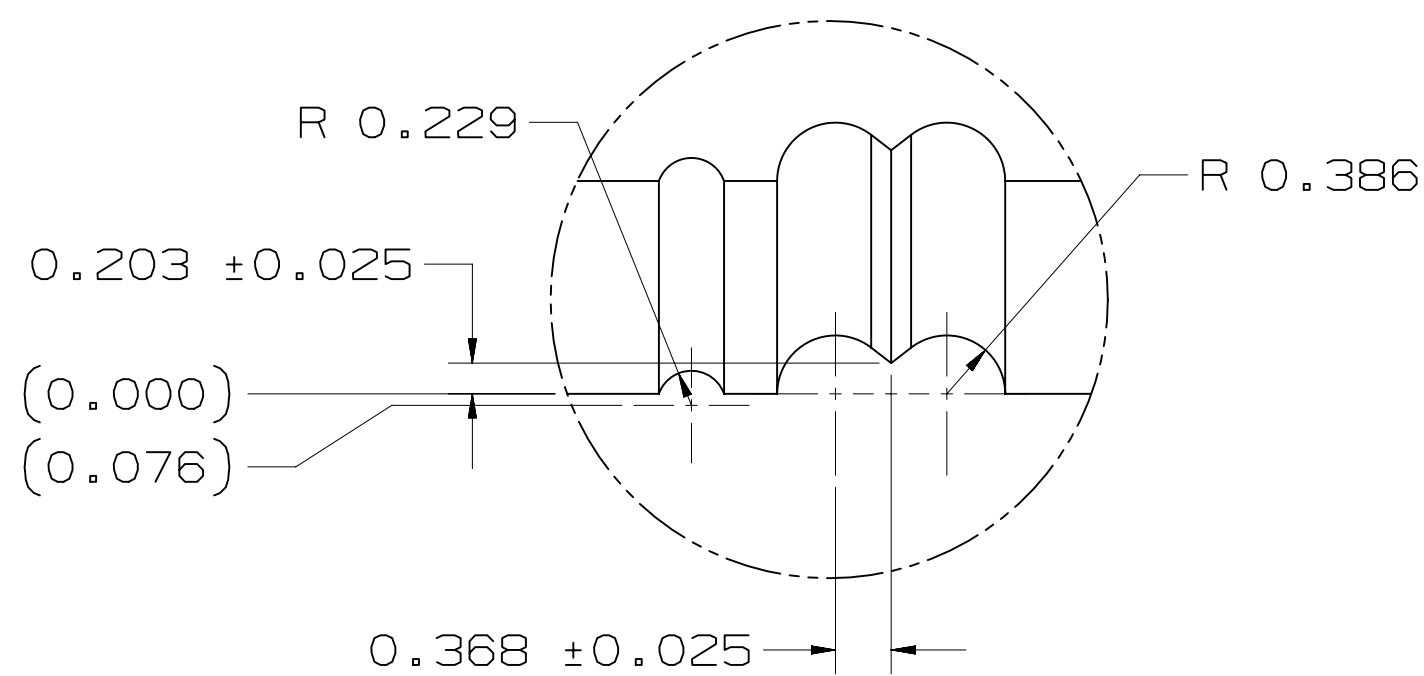
3M™ TWIN AXIAL CABLE, SL8800 SERIES
STRIPPING BLADE AND GUIDE DETAILS

NOTES

- MATERIAL:
1095 SPRING STEEL, BLUE TEMPERED
AND POLISHED, ASTM 682



RECOMMENDED PROFILE
FOR FOIL STRIPPER BLADE



DETAIL A
SCALE 20:1
TYP

Visit <http://www.3mconnector.com>

12-2678-5168-6
DESIGN REFERENCE NEXT ASSEMBLY

DISTRIBUTION CODES					
DIVISION	DO NOT SCALE DRAWING		SCALE NTS	TOLERANCES EXCEPT AS NOTED	
	THIRD ANGLE PROJECTION			INCHES .0 ± .00 ± .000 ± .0000 ±	
	INTERPRET PER ASME Y14.5 - 1994			MILLIMETERS 0 ± .0 ± .00 ± .12 .000 ± .005	
	MAX SURFACE ROUGHNESS 125		<input type="checkbox"/> ALL SURFACES <input checked="" type="checkbox"/> MARKED ONLY	ANGLES ± 1°	

B	32780	MAR 04, 2011	LDS	DD
A	30167	AUG 09, 2010	ML	ML
REV	ECO	ISSUE DATE AND DESCRIPTION	DRFT	CHKD
DRFT	L SCHMIDT	DATE MAR 04, 2011	MFG	DATE
CHKD		DATE	APPVL	DATE
		© 3M COPYRIGHT 2011 This document and the information it contains are 3M property and may not be reproduced or further distributed without 3M permission, or used or disclosed other than for 3M authorized purposes. All rights reserved.		
TITLE 3M RIBBON TWIN AXIAL CABLE, SL8802/08, 4 PAIR, 2 DRAINS				
CAGE NUMBER	SIZE	DRAWING NO.	REV.	
C		78-5100-2361-3	B	
MODEL		DET. LISTS	<input type="checkbox"/> YES <input checked="" type="checkbox"/> NO	SHT 2 OF 3

78-5100-2361-3
DRAWING NUMBER

B

REVISION

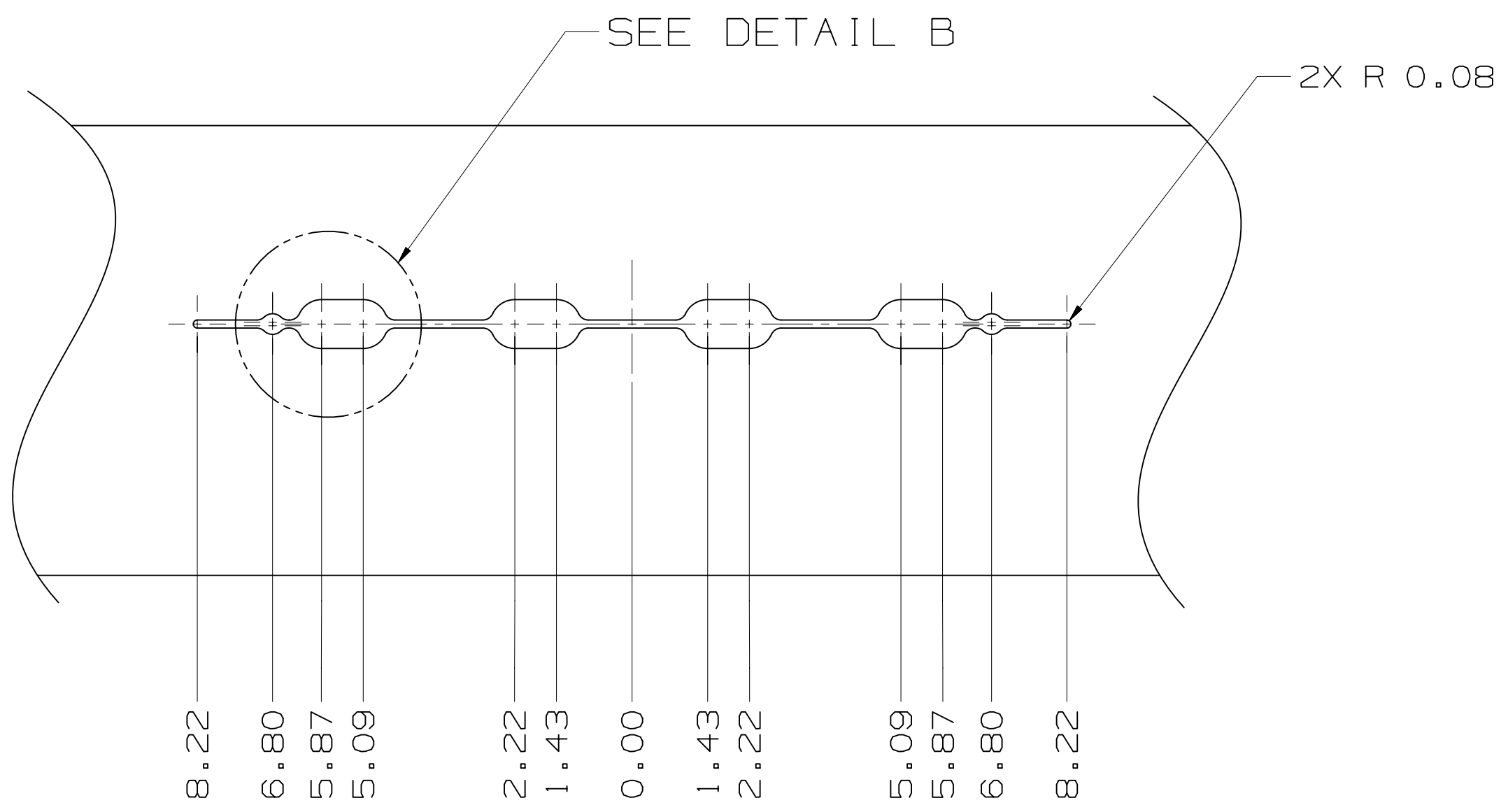
3

B

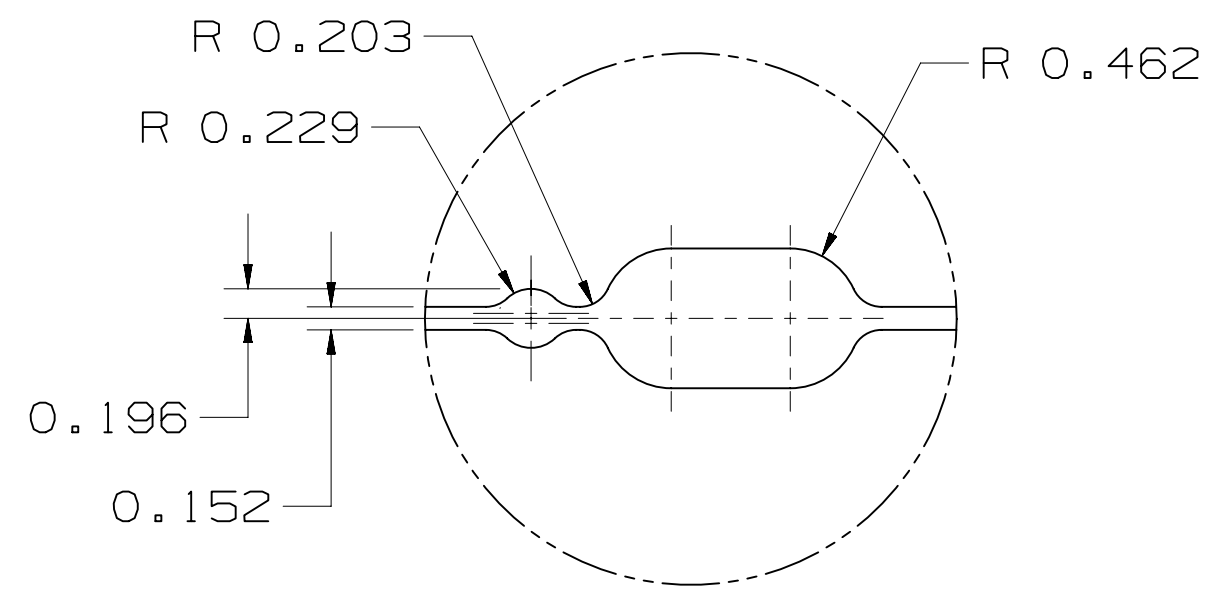
A

3M™ TWIN AXIAL CABLE, SL8800 SERIES
STRIPPING BLADE AND GUIDE DETAILS

NOTES	
1.	MATERIAL: 420 STAINLESS STEEL



RECOMMENDED PROFILE
FOR CABLE GUIDE



DETAIL B
SCALE 20:1
TYP

Visit <http://www.3mconnector.com>

12-2678-5145-4

B	32780	MAR 04, 2011	LDS	DD
A	30167	AUG 09, 2010	ML	ML
REV	ECO	ISSUE DATE AND DESCRIPTION	DRFT	CHKD

DISTRIBUTION CODES	DESIGN REFERENCE	NEXT ASSEMBLY	DRFT	DATE	MFG	DATE
			L SCHMIDT	MAR 04, 2011		
			CHKD	DATE	APPVL	DATE

DO NOT SCALE DRAWING	SCALE NTS	TOLERANCES EXCEPT AS NOTED
THIRD ANGLE PROJECTION	INTERPRET PER ASME Y14.5 - 1994	MAX SURFACE ROUGHNESS
		125
		<input type="checkbox"/> ALL SURFACES
		<input checked="" type="checkbox"/> MARKED ONLY

		© 3M COPYRIGHT 2011 This document and the information it contains are 3M property and may not be reproduced or further distributed without 3M permission, or used or disclosed other than for 3M authorized purposes. All rights reserved.	
TITLE 3M RIBBON TWIN AXIAL CABLE, SL8802/08, 4 PAIR, 2 DRAINS			
CAGE NUMBER	SIZE	DRAWING NO.	REV.
C		78-5100-2361-3	B
MODEL		DET. LISTS	<input type="checkbox"/> YES <input checked="" type="checkbox"/> NO
		SHT	3 OF 3

78-5100-2361-3
DRAWING NUMBER

A