



Chipsmall Limited consists of a professional team with an average of over 10 year of expertise in the distribution of electronic components. Based in Hongkong, we have already established firm and mutual-benefit business relationships with customers from,Europe,America and south Asia,supplying obsolete and hard-to-find components to meet their specific needs.

With the principle of "Quality Parts,Customers Priority,Honest Operation,and Considerate Service",our business mainly focus on the distribution of electronic components. Line cards we deal with include Microchip,ALPS,ROHM,Xilinx,Pulse,ON,Everlight and Freescale. Main products comprise IC,Modules,Potentiometer,IC Socket,Relay,Connector.Our parts cover such applications as commercial,industrial, and automotives areas.

We are looking forward to setting up business relationship with you and hope to provide you with the best service and solution. Let us make a better world for our industry!



## Contact us

Tel: +86-755-8981 8866 Fax: +86-755-8427 6832

Email & Skype: info@chipsmall.com Web: www.chipsmall.com

Address: A1208, Overseas Decoration Building, #122 Zhenhua RD., Futian, Shenzhen, China



# SLA7050M/7051M/7052M

October 2005

## ■General Description

Combining low-power CMOS logic with high-current, high-voltage power FET outputs, the Series SLA705xM translator/driver provides complete control and drive for a two-phase unipolar stepper motor with internal fixed off time, pulse-width modulation (PWM) control of the output current in a power multi-chip module (PMCM™). The CMOS logic section provides the sequencing logic, direction, full/half-step control, synchronous/asynchronous PWM operation, and a "sleep" function. The minimum CLOCK input is an ideal fit for applications where a complex  $\mu$ P is unavailable or overburdened. TTL or LSTTL may require the use of appropriate pull-up resistors to ensure a proper input-logic high. For PWM current control, the maximum output current is determined by the user's selection of a reference voltage and sensing resistor. The NMOS outputs are capable of sinking up to 1, 2 or 3 A and withstanding 46 V in the off state. Ground-clamp and flyback diodes provide protection against inductive transients. Special power-up sequencing is not required. Full-step (2 phase) and half-step operation are externally selectable. Two-phase drive energizes two adjacent phases in each detent position (AB-BC-CD-DA). This sequence mode offers an improved torquespeed product, greater detent torque, and is less susceptible to motor resonance. Half-step excitation alternates between the one-phase and two-phase modes (A-AB-B-BC-C-CD D-DA), providing an eight-step sequence.

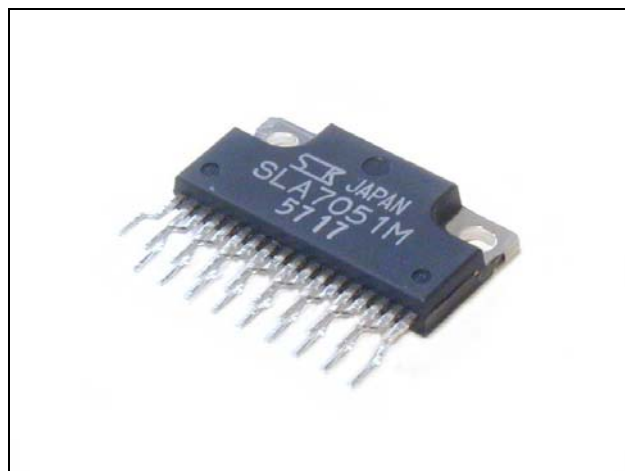
## ■Applications

- PPC
- Printer
- OA Equipment

## ■Features

- To 3A Output Rating
- Internal Sequencer for Full or Half-Step Operation
- PWM Constant-Current Motor Drive
- Cost-Effective, Multi-Chip Solution
- 100 V, Avalanche-Rated NMOS
- Low  $r_{DS(on)}$  NMOS Outputs (300 milli-ohms typical)
- Advanced, Improved Body Diodes
- Half-Step and Full-Step Unipolar Drive
- Inputs Compatible with 3.3 V or 5 V Control Signals
- Sleep Mode
- Internal Clamp Diodes

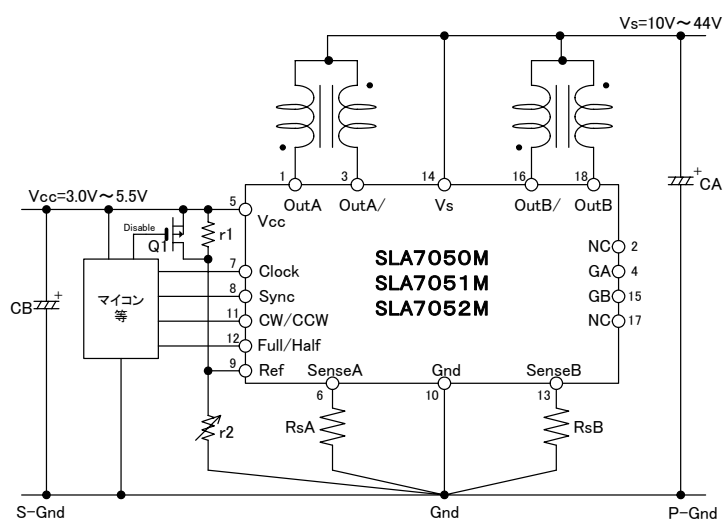
## ■Package----SLA18Pin



## ■Key Specifications

- Motor Supply Voltage (VM) : 44V max
- Load Supply Voltage (Vs) : 10V~44V
- Logic Supply Voltage (Vcc) : 3V~5.5V
- Output Current (Io) : 1A(SLA7050M)  
2A(SLA7051M)  
3A(SLA7052M)
- Output Maximum Voltage (V<sub>DSS</sub>) : 100V min

## Typical Connection



Sanken Electric Co.,Ltd.

<http://www.sanken-ele.co.jp/en/>

I03-002EA-051006

# SLA7050M/7051M/7052M

October 2005

## Scope

The present specifications shall apply to SanKen 2 Phase Stepper Motor Driver IC, SLA705xM Series.

The present specifications shall apply to SLA 705xM Series which is performed RoHS instructions.

Lead part solder : Pb free    Inner solder : Lead content > 85%

## Outline

Type	Hybrid integrated circuit
Structure	Plastic molded (transfer mold)
Applications	To drive a 2 phase stepper motor. (Full or Half Step. PWM Current Control.)

## Absolute maximum ratings

Characteristic	Symbol	Ratings	Unit	Remarks
Motor Supply Voltage	$V_M$	46	V	
Load Supply Voltage	$V_S$	46	V	
Logic Supply Voltage	$V_{CC}$	7	V	
Output Current	$I_o$	1.0	A	SLA7050M
		2.0		SLA7051M
		3.0		SLA7052M
Logic Input Voltage	$V_{IN}$	$-0.3 \sim V_{CC} + 0.3$	V	
REF Input Voltage	$V_{REF}$	$-0.3 \sim V_{CC} + 0.3$	V	
Sense Voltage	$V_{R_s}$	$-2 \sim 2$	V	$T_w < 1\mu S$ doesn't contain it.
Total Device Dissipation	$P_D$	4	W	at $T_a = 25^\circ C$
		20	W	at $T_c = 25^\circ C$
Junction Temperature	$T_j$	150	$^\circ C$	
Operating Temperature Range	$T_a$	$-20 \sim 85$	$^\circ C$	
Storage Temperature Range	$T_{stg}$	$-30 \sim 150$	$^\circ C$	

# SLA7050M/7051M/7052M

October 2005

## Electrical characteristics

### Recommendable Operating Range

Characteristic	Symbol	Ratings		Unit	Remarks
		MIN	MAX		
Motor Supply Voltage	$V_M$		44	V	
Load Supply Voltage	$V_S$	10	44	V	
Logic Supply Voltage	$V_{CC}$	3.0	5.5	V	Please adjust the $V_{CC}$ surge voltage to 0.5V or less.
REF Input Voltage	$V_{REF}$	0.1	1.0	V	The control current accuracy decreases in 0.1V or less.
Package Temperature	$T_c$		100	°C	10Pin temperature (at No Fin)

### Electrical Characteristic ( $T_a=25^\circ\text{C}$ , $V_S=24\text{V}$ , $V_{CC}=5\text{V}$ Unless Otherwise Noted)

Characteristic	Symbol	Limits			Unit	Test Condition
		MIN	TYP	MAX		
Load Supply Current	$I_S$			15	mA	Regularity
	$I_{SS}$			100	$\mu\text{A}$	at SLEEP operates
Logic Supply Current	$I_{CC}$			3	mA	
Output Maximum Voltage	$V_{DSS}$	100			V	$V_S=44\text{V}$ $I_{DSS}=1\text{mA}$
FET On-State Resistance	$R_{DS(on)}$		0.3	0.5	$\Omega$	$I_D=1\text{A}$
FET Diode Forward Voltage	$V_{SD}$		0.8	1.1	V	$I_{SD}=1\text{A}$
Maximum Clock Frequency	$F_{clock}$			100	kHz	
Logic Input Voltage	$V_{IL}$			$V_{CC} \times 0.25$	V	
	$V_{IH}$	$V_{CC} \times 0.75$			V	
Logic Input Current	$I_{IL}$		$\pm 1$		$\mu\text{A}$	
	$I_{IH}$		$\pm 1$		$\mu\text{A}$	
REF Input Voltage	$V_{REF}$	0		1.5	V	Stationary current control
	$V_{REFS}$	2.0		$V_{CC}$	V	Output OFF(Sleep)
REF Input Current	$I_{REF}$		$\pm 10$		$\mu\text{A}$	
Sense Voltage	$V_{RS}$		$V_{REF}$		V	

# SLA7050M/7051M/7052M

October 2005

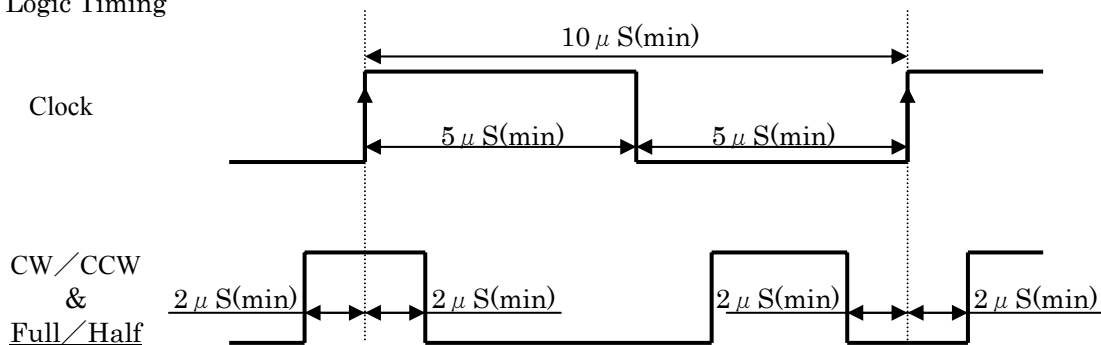
Electrical Characteristic (Ta=25°C, Vs=24V, Vcc=5V Unless Otherwise Noted)

Characteristic	Symbol	Limits			Unit	Test Condition
		MIN	TYP	MAX		
PWM OFF Time	T <sub>OFF</sub>		12		μS	
PWM Minimum ON Time	T <sub>ON(min)</sub>		5		μS	
Sleep-Enable return time	T <sub>SE</sub>	100			μS	V <sub>REF</sub> : 2.0→1.5V I <sub>o</sub> : 1.5A
Switching Time	T <sub>ONC</sub>		2.5		μS	Clock→Out
	T <sub>OFFC</sub>		2.0		μS	Clock→Out

Truth table

Pin Function	Low level	High level
CW/CCW	Forward(CW)	Reverse(CCW)
Full/Half	Full Step	Half Step
REF	Enable	Output disable(Sleep)
Sync	Non synchronous PWM	Synchronous PWM
Clock		

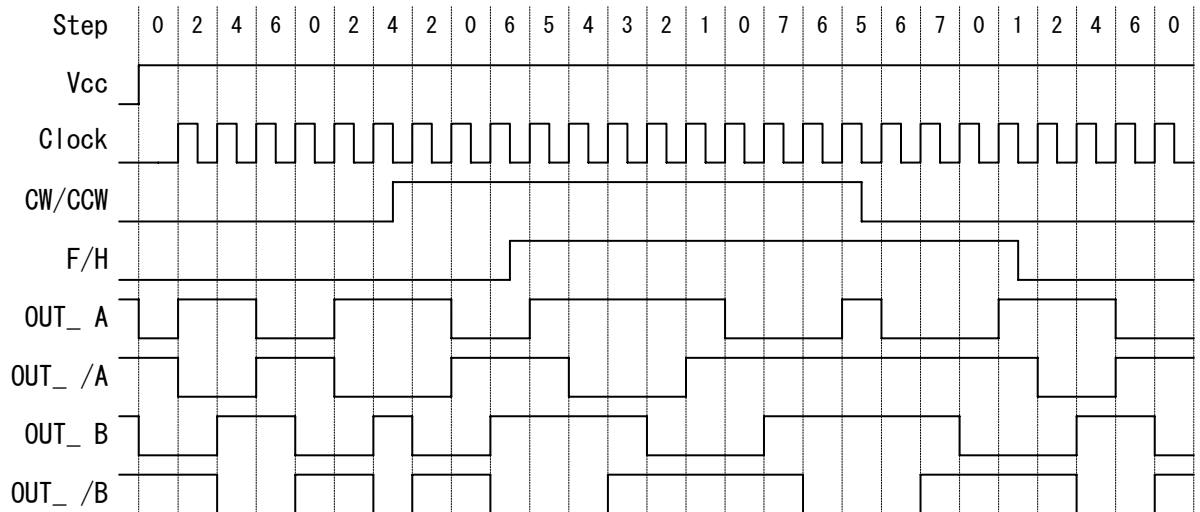
Input Logic Timing



# SLA7050M/7051M/7052M

October 2005

Timing chart



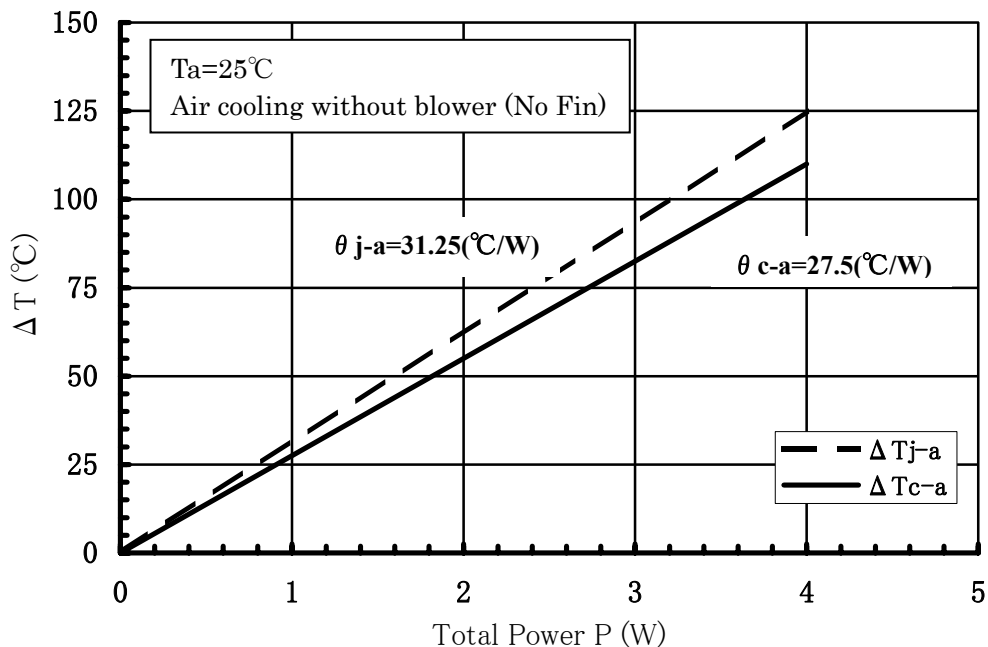
- This timing chart is a voltage mark.
- PWM signal for current control is not superimposed on this timing chart.

# SLA7050M/7051M/7052M

October 2005

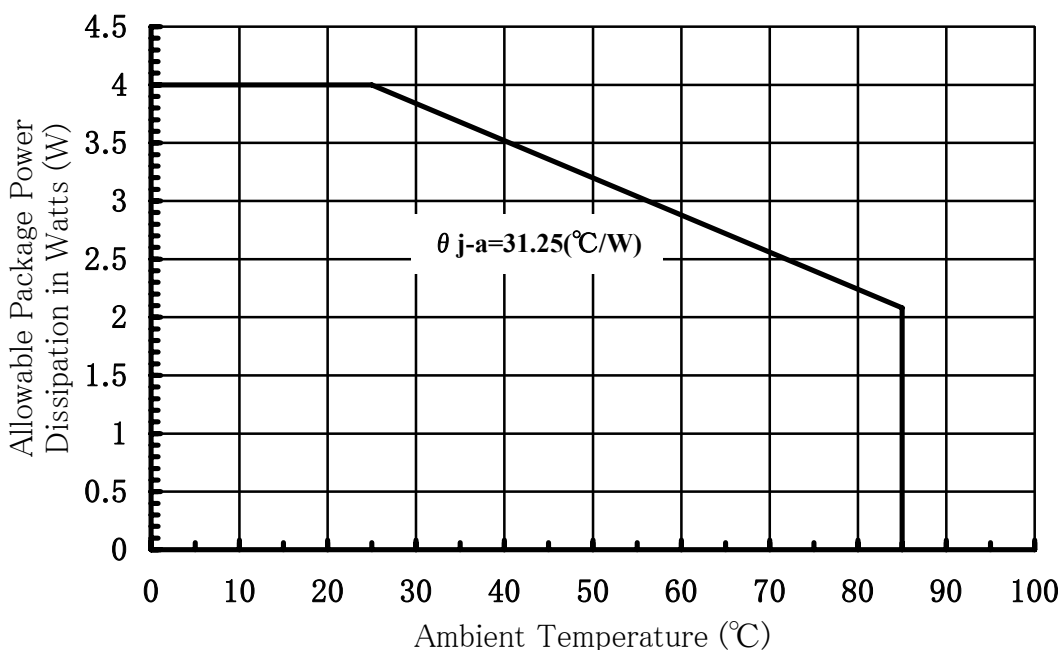
Heat design data

Total Power -  $\Delta T$  indegc



※The temperature of the case is 10pin.

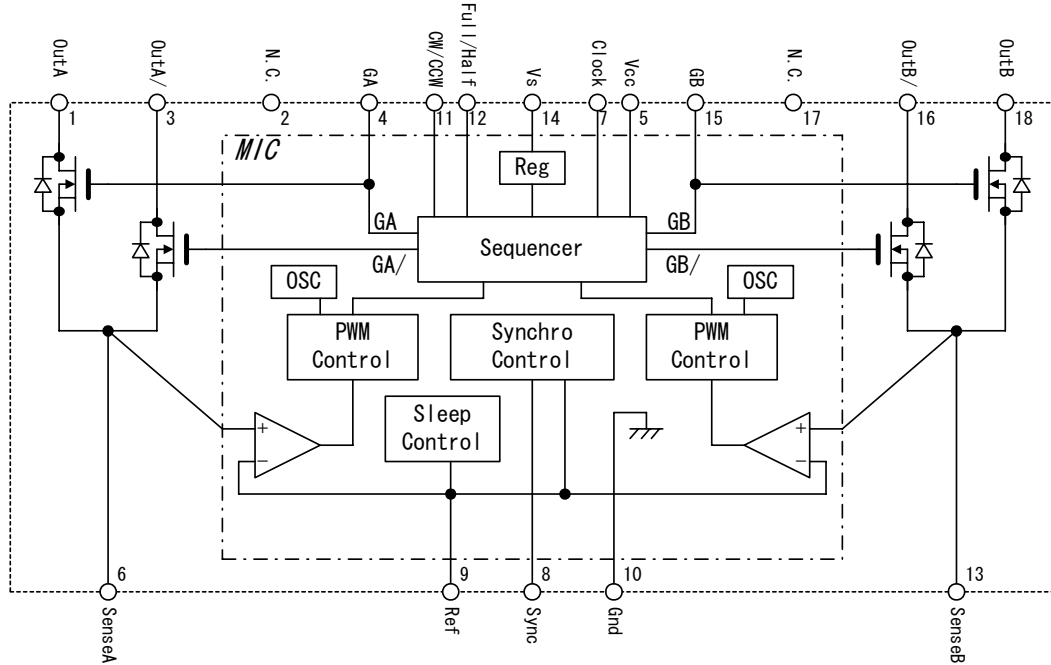
$T_a - P$



# SLA7050M/7051M/7052M

October 2005

## Block diagram (Connection diagram)



Pin arrangement ,Functional table

Pin Number	Symbol	Function
1	OutA	Phase A Output
2	N.C.	No Contact
3	OutA/	Phase A/ Output
4	GA <sup>※</sup>	Phase A Gate
5	Vcc	Logic supply
6	SenseA	Phase A current sense
7	Clock	Step clock
8	Sync	Synchronous PWM control
9	Ref	Current reference & Output disable
10	GND	GND
11	CW/CCW	Forward reverse control
12	Full/Half	Full step half step control
13	SenseB	Phase B current sense
14	Vs	Load supply
15	GB <sup>※</sup>	Phase B Gate
16	OutB/	Phase B/ Output
17	N.C.	No Contact
18	OutB	Phase B Output

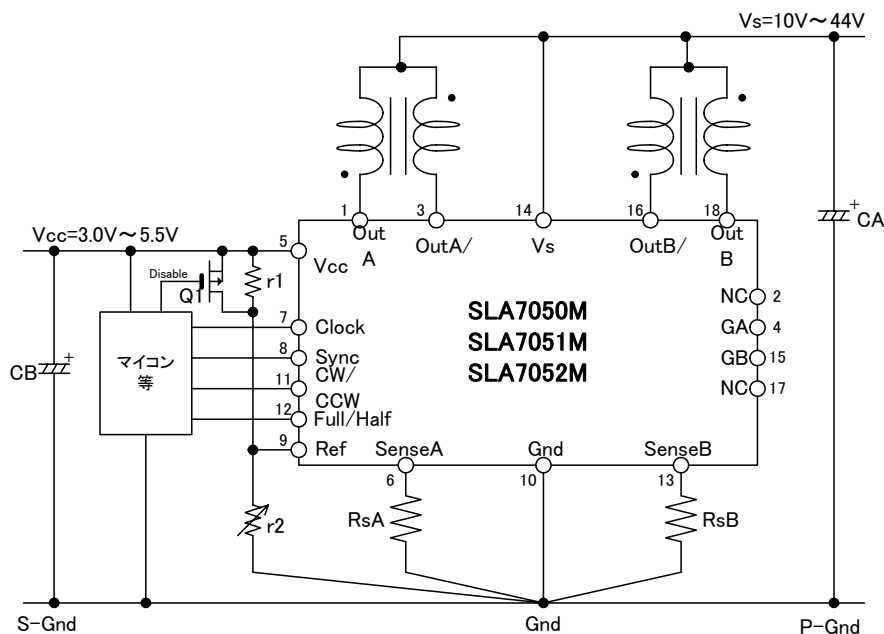
※The gating signal of MOS FET outputs, and use 4pin and 15pin by the unwiring, please.



# SLA7050M/7051M/7052M

October 2005

## Example application circuit



Reference constant

$$R_s = 0.1 \sim 2 \Omega \text{ (Loss attention } P \cong I_o^2 \times R_s)$$

$$R_1 = 10 \text{ k}\Omega$$

$$R_2 = 5.1 \text{ k}\Omega \text{ (VR)}$$

$$C_A = 100 \mu\text{F} / 50\text{V}$$

$$C_B = 10 \mu\text{F} / 10\text{V}$$

Q1 :

☆ Be careful of especially the noise on Vcc line.

If the noise on Vcc line exceeds 0.5V, a product may incorrect-operate.

☆ When you do not use Logic inputs (CW/CCW and F/H, Sync), please be sure to connect with Vcc or GND.

☆ To minimize the effect of system ground I·R drops on the logic and reference input signals, Ground pin should have a low-impedance return to system ground.

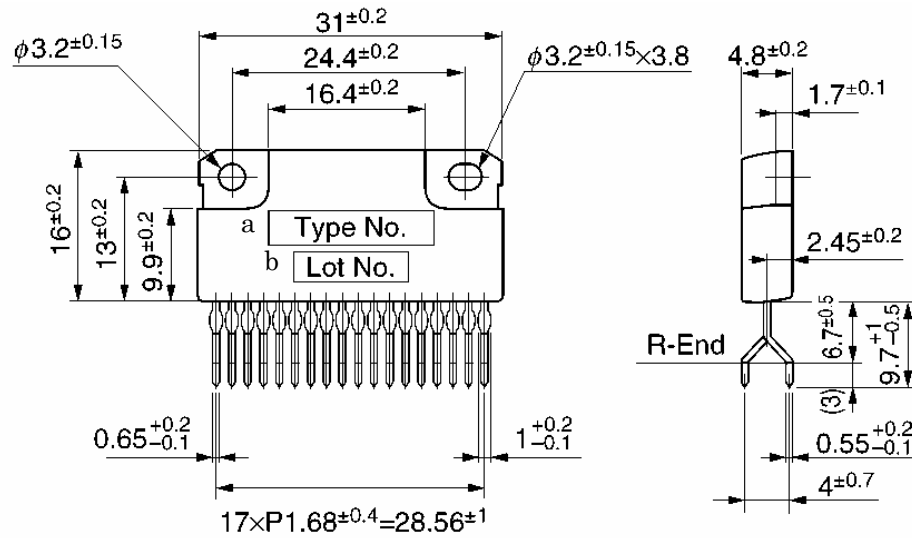
☆ 2pin, 4pin, 15pin and 17pin are No Contact.

# SLA7050M/7051M/7052M

October 2005

## Package information s

Package type and physical dimensions



a. Type Number SLA705xM

b. Lot Number

- 1st letter The last digit of year
- 2nd letter Month
  - 1~9月 : Arabic Numerals
  - 10月 : O
  - 11月 : N
  - 12月 : D

(1 to 9 for Jan. to Sept. O for Oct.

N for Nov. D for Dec.)

3rd & 4th letter day

01~31 : Arabic Numerals

Dimensions in mm

### Appearance

The body shall be clean and shall not bear any stain, rust or flaw.

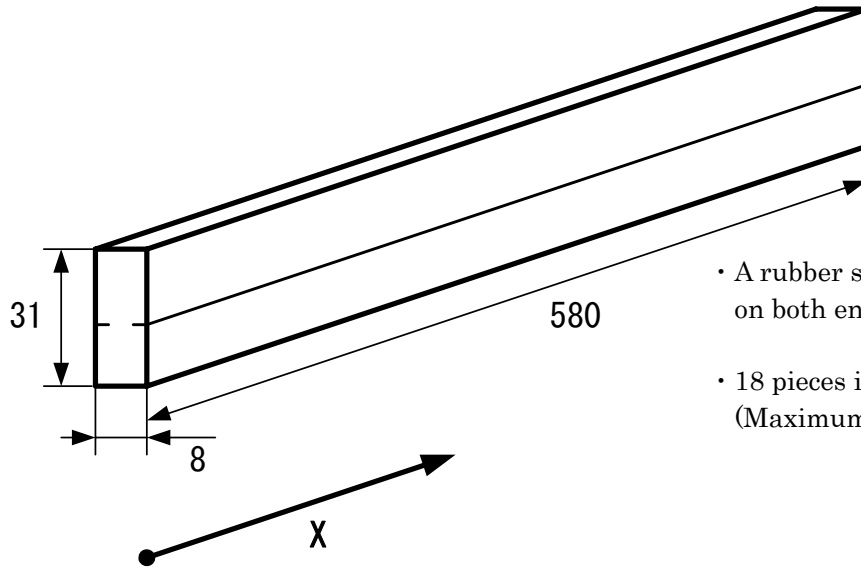
### Marking

The type number and lot number shall be clearly marked in white.

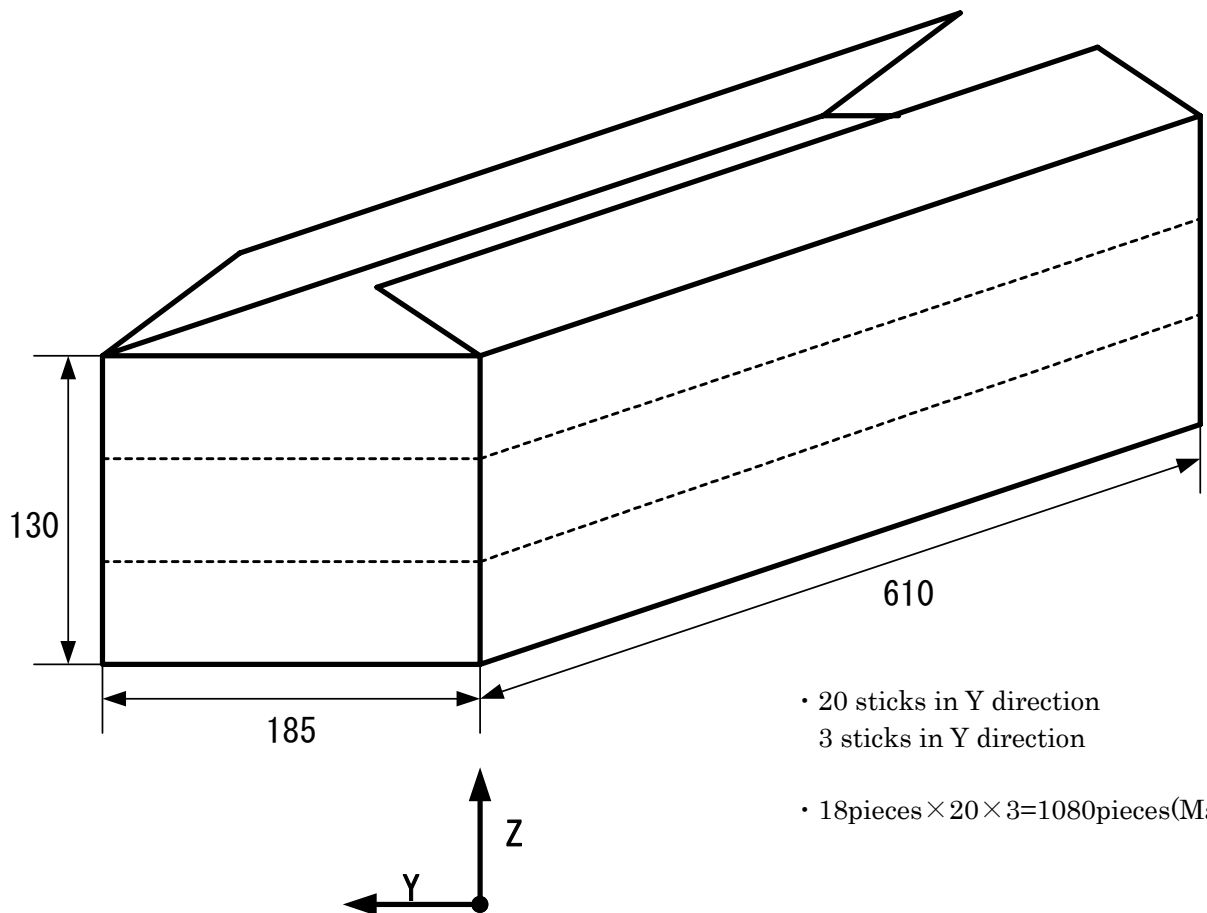
# SLA7050M/7051M/7052M

October 2005

## Packing specifications



- A rubber stopper is provided on both ends of the stick.
- 18 pieces in X direction (Maximum 18 pieces in one stick)



- 20 sticks in Y direction  
3 sticks in Y direction
- 18pieces × 20 × 3 = 1080pieces (Max.)

Dimensions in mm

# SLA7050M/7051M/7052M

October 2005

## Cautions and warnings

The calculation of control current

SLA705xM Series control current  $I_o$  is calculated as follow.

$$I_o = V_{REF} / R_s$$

REF Voltage range is 0.1V~1.0V

※When the REF<0.1V, the accuracy of control current is reduce.

Moreover, if REF voltage is set up more than 2.0V, all outputs will be in OFF state.

Installation to a heat sink

1)Recommended Clamping Torque (to External Heat sink) 0.490~0.822N·m

2)Recommended Silicone

G746 {SHIN-ETSU CHEMICAL}

YG6260 {GE TOSHIBA SILICONES}

SC102 {DOW CORNING TORAY SILICONE}

Notice

This driver has C-MOS inputs. Please notice as following contents.

- When static electricity is a problem, care should be taken to properly control the room humidity. This is particularly true in the winter when static electricity is most troublesome.
- Care should be taken with device leads and with assembly sequencing to avoid applying static charges to IC leads. PC board pins should be shorted together to keep them at the same potential to avoid this kind of trouble.

# SLA7050M/7051M/7052M

October 2005

---

## <Worldwide Contacts>

### Asia Pacific

#### China

##### **Sanken Electric Hong Kong Co., Ltd.**

Suite 1026 Ocean Centre, Canton Road, Tsimshatsui, Kowloon, Hong Kong

Tel: 852-2735-5262

Fax: 852-2735-5494

##### **Sanken Electric (Shanghai) Co., Ltd.**

Room3202, Maxdo Centre, Xingyi Road 8, Changning district, Shanghai, China

Tel: 86-21-5208-1177

Fax: 86-21-5208-1757

##### **Taiwan Sanken Electric Co., Ltd.**

Room 1801, 18th Floor, 88 Jung Shiau East Road, Sec. 2, Taipei 100, Taiwan R.O.C.

Tel: 886-2-2356-8161

Fax: 886-2-2356-8261

#### India

##### **Saket Devices Pvt. Ltd.**

Office No.13, First Floor, Bandal - Dhankude Plaza, Near PMT Depot, Paud Road, Kothrud, Pune - 411 038, India

Tel: 91-20-5621-2340

91-20-2528-5449

Fax: 91-20-2528-5459

#### Japan

##### **Sanken Electric Co., Ltd. Overseas Sales Headquarters**

Metropolitan Plaza Bldg. 1-11-1 Nishi-Ikebukuro, Toshima-ku, Tokyo 171-0021, Japan

Tel: 81-3-3986-6164

Fax: 81-3-3986-8637

#### Korea

##### **Sanken Electric Korea Co., Ltd.**

Mirae Asset Life Bldg. 6F, 168 Kongduk-dong, Mapo-ku, Seoul, 121-705, Korea

Tel: 82-2-714-3700

Fax: 82-2-3272-2145

#### Singapore

##### **Sanken Electric Singapore Pte. Ltd.**

150 Beach Road, #14-03 The Gateway West, Singapore 189720

Tel: 65-6291-4755

Fax: 65-6297-1744

# SLA7050M/7051M/7052M

October 2005

---

## Europe

### United Kingdom

#### **Sanken Power Systems (UK) Limited**

Pencoed Technology Park, Pencoed, Bridgend CF35 5HY. UK

Tel: 44-1656-869-100

Fax: 44-1656-869-162

## North America

### United States

#### **Allegro MicroSystems, Inc.**

115 Northeast Cutoff, Worcester, Massachusetts 01606, U.S.A.

Tel: 1-508-853-5000

Fax: 1-508-853-3353

#### **Allegro MicroSystems, Inc. (Southern California)**

14 Hughes Street, Suite B105, Irvine, CA 92618

Tel: 1-949-460-2003

Fax: 1-949-460-7837

# SLA7050M/7051M/7052M

October 2005

---

## CAUTION / WARNING

- The information in this publication has been carefully checked and is believed to be accurate; however, no responsibility is assumed for inaccuracies.
  - SanKen reserves the right to make changes without further notice to any products herein in the interest of improvements in the performance, reliability, or manufacturability of its products.  
Before placing an order, SanKen advises its customers to obtain the latest version of the relevant information to verify that the information being relied upon is current.
  - Application and operation examples described in this catalog are quoted for the sole purpose of reference for the use of the products herein and SanKen can assume no responsibility for any infringement of industrial property rights, intellectual property rights or any other rights of SanKen or any third party which may result from its use.
  - When using the products herein, the applicability and suitability of such products for the intended purpose or object shall be reviewed at the users' responsibility.
  - Although SanKen undertakes to enhance the quality and reliability of its products, the occurrence of failure and defect of semiconductor products at a certain rate is inevitable. Users of SanKen products are requested to take, at their own risk, preventative measures including safety design of the equipment or systems against any possible injury, death, fires or damages to the society due to device failure or malfunction.
  - SanKen products listed in this catalog are designed and intended for the use as components in general purpose electronic equipment or apparatus (home appliances, office equipment, telecommunication equipment, measuring equipment, etc.). Before placing an order, the user's written consent to the specifications is requested.  
When considering the use of SanKen products in the applications where higher reliability is required (transportation equipment and its control systems, traffic signal control systems or equipment, fire/crime alarm systems, various safety devices, etc.), please contact your nearest SanKen sales representative to discuss and obtain written confirmation of your specifications. The use of SanKen products without the written consent of SanKen in the applications where extremely high reliability is required (aerospace equipment, nuclear power control systems, life support systems, etc.) is strictly prohibited.
  - Anti radioactive ray design is not considered for the products listed herein.
  - This publication shall not be reproduced in whole or in part without prior written approval from SanKen.
- This is notification that you, as purchaser of the products/technology, are not allowed to perform any of the following:
1. Resell or retransfer these products/technology to any party intending to disturb international peace and security.
  2. Use these products/technology yourself for activities disturbing international peace and security.
  3. Allow any other party to use these products/technology for activities disturbing international peace and security.
- Also, as purchaser of these products/technology, you agree to follow the procedures for the export or transfer of these products/technology, under the Foreign Exchange and Foreign Trade Law, when you export or transfer the products/technology abroad.