



Chipsmall Limited consists of a professional team with an average of over 10 year of expertise in the distribution of electronic components. Based in Hongkong, we have already established firm and mutual-benefit business relationships with customers from,Europe,America and south Asia,supplying obsolete and hard-to-find components to meet their specific needs.

With the principle of "Quality Parts,Customers Priority,Honest Operation,and Considerate Service",our business mainly focus on the distribution of electronic components. Line cards we deal with include Microchip,ALPS,ROHM,Xilinx,Pulse,ON,Everlight and Freescale. Main products comprise IC,Modules,Potentiometer,IC Socket,Relay,Connector.Our parts cover such applications as commercial,industrial, and automotives areas.

We are looking forward to setting up business relationship with you and hope to provide you with the best service and solution. Let us make a better world for our industry!



Contact us

Tel: +86-755-8981 8866 Fax: +86-755-8427 6832

Email & Skype: info@chipsmall.com Web: www.chipsmall.com

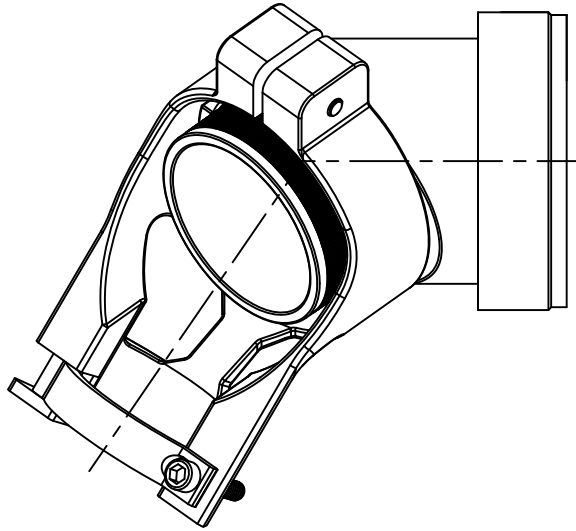
Address: A1208, Overseas Decoration Building, #122 Zhenhua RD., Futian, Shenzhen, China



THIS DRAWING AND THE INFORMATION SET FORTH HEREON ARE THE PROPERTY OF TYCO ELECTRONICS AND ARE TO BE HELD IN TRUST AND CONFIDENCE. PUBLICATION, DUPLICATION, DISCLOSURE, OR USE FOR ANY PURPOSE NOT EXPRESSLY AUTHORIZED IN WRITING BY TYCO ELECTRONICS IS PROHIBITED.

REVISIONS

LTR	DESCRIPTION	DATE	APPROVED
A	RELEASED PER ECO-11-025206	12/16/11	B. WONG



SPIN-LOCK ADAPTER, SADDLE CLAMP


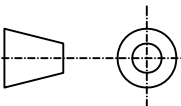
NOTES:

- THIS PRODUCT IS DESIGNED TO TERMINATE A BRAIDED CABLE SHIELD TO A CONNECTOR AND PROVIDE STRAIN RELIEF.
- SEE DRAWING "TR" FOR DETAIL ON TINEL-LOCK RING. RINGS ARE DESIGNED TO BE HEATED ELECTRICALLY. ALL RINGS ARE MARKED WITH THERMOCHROMIC PAINT WHICH CHANGES COLOR WHEN INSTALLATION TEMPERATURE IS REACHED.
- ADAPTER TO BE PERMANENTLY MARKED WITH CODE IDENT. NO. AND PART NO. LESS RING DESIGNATOR (E.G.: 06090-XXXXXXX-XXXXX).
- ADAPTER MATES TO MIL-C-81703, SERIES III, MS3424, MS3446, MS3464, MS3467, MS3468, CLASS E AND L.
- ADAPTER MATES TO MIL-C-5015G, MS3400 SERIES, CLASS D, E, K, L, U & W; MS3400 MS3401, MS3404, MS3406, MS3450, MS3451, MS3454, MS3456, MS3470, MS3471, MS3472, MS3474, MS3475, MS3476. MIL-C-83723, SERIES II, CLASS A & L. MIL-C-83723, /14, /36, /37, /38, /39, /40, /41, /42, /43, /48, /49, /65, /66, /67, /68, /69, /70, /71, /72, /73, /74, /75, /76, /77, /78, /82, /83, /84, /85, /86, /87, /91, /92, /95, /97, /98, (MS3155 CONTROLLED INTERFACE).
- INSTALLATION PROCEDURE MIP-103.
- PERFORMANCE SPECIFICATION MPS-103.
- FOR ADDITIONAL ORDERING INFORMATION SEE CH00-0250-019.

If this document is printed it becomes uncontrolled. Check for the latest revision

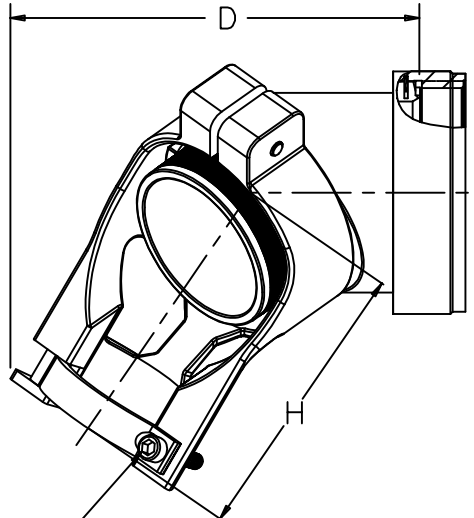
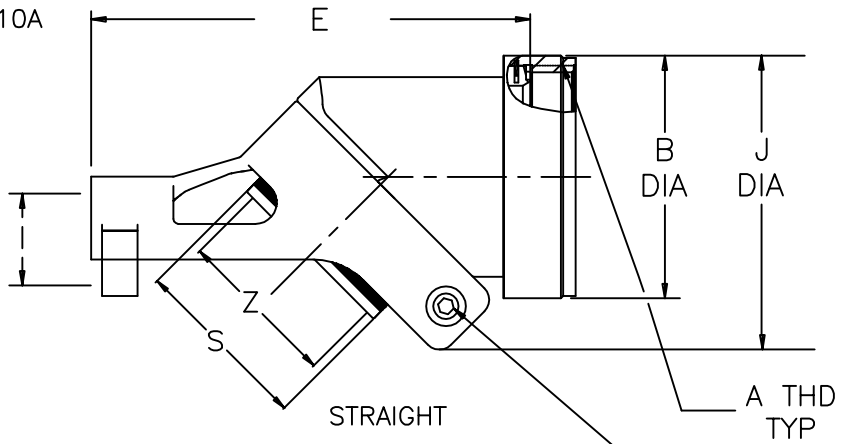
Raychem Adapters
CUSTOMER DRAWING

2011 Tyco Electronics Corporation. All rights reserved.

UNLESS OTHERWISE SPECIFIED DIMENSIONS ARE IN INCHES AND TOLERANCES ARE: .XXX ± — .XX ± — ± —	DRAWN D JAIN	DATE 8AUG2011			TE Connectivity	
	CHECKED BERT W	DATE 8AUG2011				
	APPROVED	DATE				
MATERIAL SEE NOTES	THIRD ANGLE PROJECTION 		TITLE SPIN-LOCK ADAPTER CODE 54			
FINISH —	CAD NAME SLC54_a.dwg	SIZE A	CAGE CODE: 06090	DWG. NO. SLC54	REV A	
	RPN: —	SCALE: NONE			SHEET 1 OF 3	

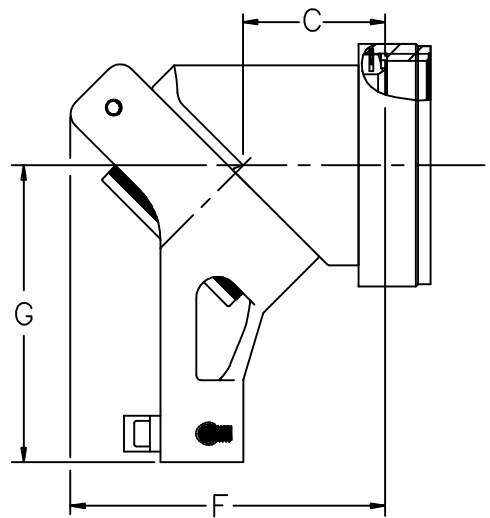
REVISIONS			
LTR	DESCRIPTION	DATE	APPROVED
A	RELEASED PER ECO-11-025206	12/16/11	B. WONG

e.g SLC 54AB - 1610A



CLAMP SCREW
SEE TABLE ON SHEET 3
FOR DETAILS

AT 45 DEGREE



AT 90 DEGREE

If this document is printed it becomes uncontrolled. Check for the latest revision

Raychem Adapters
CUSTOMER DRAWING

SIZE A	CAGE CODE: 06090	DWG. NO. SLC54	REV A
SCALE: NONE		SHEET 2 OF 3	

REVISIONS			
LTR	DESCRIPTION	DATE	APPROVED
A	RELEASED PER ECO-11-025206	12/16/11	B. WONG

TABLE I

ORDER NO.	SHELL SIZE		AVAILABLE ENTRY SIZES		A METRIC THD CLASS 6H	B DIA MAX	C MAX DIM	D MAX DIM	E MAX DIM	F MAX DIM	CLAMP SCREW
	4	5	SMALL	LARGE							
08		8 & 8S	04	-	.500"-20 UNF	.610	.61 [15.49]	1.61 [40.89]	1.73 [43.94]	1.23 [31.24]	1-64 UNC
10		10, 10S & 10SL	04	06	.625"-24 UNEF	.728	.55 [13.97]	1.62 [41.14]	1.79 [45.46]	1.24 [31.49]	1-64 UNC
12	7	12 & 12S	06	08	.750"-20 UNEF	.856	.73 [18.54]	1.80 [45.72]	2.03 [51.46]	1.42 [36.06]	1-64 UNC
14	12	14 & 14S	08	10	.875"-20 UNEF	.964	.97 [24.63]	2.10 [53.34]	2.34 [59.43]	1.77 [44.95]	5-40 UNC
16	19	16 & 16S	10	12	1.000"-20 UNEF	1.082	1.04 [26.41]	2.20 [55.88]	2.50 [63.5]	1.92 [48.76]	5-40 UNC
18	27	18	10	14	1.062"-18 UNEF	1.161	.85 [21.59]	2.30 [58.42]	2.49 [63.24]	1.80 [45.72]	5-40 UNC
20	37	20	12	16	1.188"-18 UNEF	1.338	1.16 [29.46]	2.50 [63.5]	2.83 [71.88]	2.16 [54.86]	5-40 UNC
22		22	14	18	1.312"-18 UNEF	1.466	1.14 [28.95]	2.60 [66.04]	3.09 [78.48]	2.19 [55.62]	5-40 UNC
24		24	16	20	1.438"-18 UNEF	1.592	1.13 [28.70]	2.80 [71.12]	3.08 [78.23]	2.23 [56.64]	5-40 UNC

TABLE II

ORDER NO.	G MAX DIM	H MAX DIM	I MAX DIM	J MAX DIM
08	1.12 [28.44]	1.05 [26.67]	.34 [8.63]	0.929 [23.59]
10	1.24 [31.49]	1.10 [27.94]	.32 [8.12]	0.992 [25.19]
12	1.30 [33.02]	1.20 [30.48]	.38 [9.65]	1.108 [28.14]
14	1.37 [34.79]	1.15 [29.21]	.48 [12.19]	1.274 [32.35]
16	1.46 [37.08]	1.20 [30.48]	.56 [14.22]	1.505 [38.22]
18	1.64 [41.65]	1.15 [29.21]	.50 [12.7]	1.622 [41.19]
20	1.67 [42.41]	1.20 [30.48]	.59 [14.98]	1.671 [42.44]
22	1.95 [49.53]	1.20 [30.48]	.59 [14.98]	1.810 [45.97]
24	1.95 [49.53]	1.20 [30.48]	.64 [16.25]	1.905 [48.38]

TABLE III

MAX ENTRY SIZE TYPE I	S DIA	Z +.010 -.020
04	.376 [9.55] .370 [9.40]	.250 [6.35]
06	.501 [12.73] .495 [12.57]	.375 [9.53]
08	.626 [15.90] .619 [15.72]	.500 [12.70]
10	.752 [19.10] .742 [18.85]	.625 [15.88]
12	.877 [22.28] .867 [22.02]	.750 [19.05]
14	1.002 [25.45] .991 [25.17]	.875 [22.23]
16	1.127 [28.63] 1.116 [28.35]	1.000 [25.40]
18	1.252 [31.80] 1.241 [31.52]	1.125 [28.58]
20	1.377 [34.98] 1.366 [34.70]	1.250 [31.75]

If this document is printed it becomes uncontrolled. Check for the latest revision

Raychem Adapters

CUSTOMER DRAWING

SIZE A	CAGE CODE: 06090	DWG. NO. SLC54	REV A
SCALE: NONE		SHEET 3 OF 3	