



Chipsmall Limited consists of a professional team with an average of over 10 year of expertise in the distribution of electronic components. Based in Hongkong, we have already established firm and mutual-benefit business relationships with customers from,Europe,America and south Asia,supplying obsolete and hard-to-find components to meet their specific needs.

With the principle of “Quality Parts,Customers Priority,Honest Operation,and Considerate Service”,our business mainly focus on the distribution of electronic components. Line cards we deal with include Microchip,ALPS,ROHM,Xilinx,Pulse,ON,Everlight and Freescale. Main products comprise IC,Modules,Potentiometer,IC Socket,Relay,Connector.Our parts cover such applications as commercial,industrial, and automotives areas.

We are looking forward to setting up business relationship with you and hope to provide you with the best service and solution. Let us make a better world for our industry!



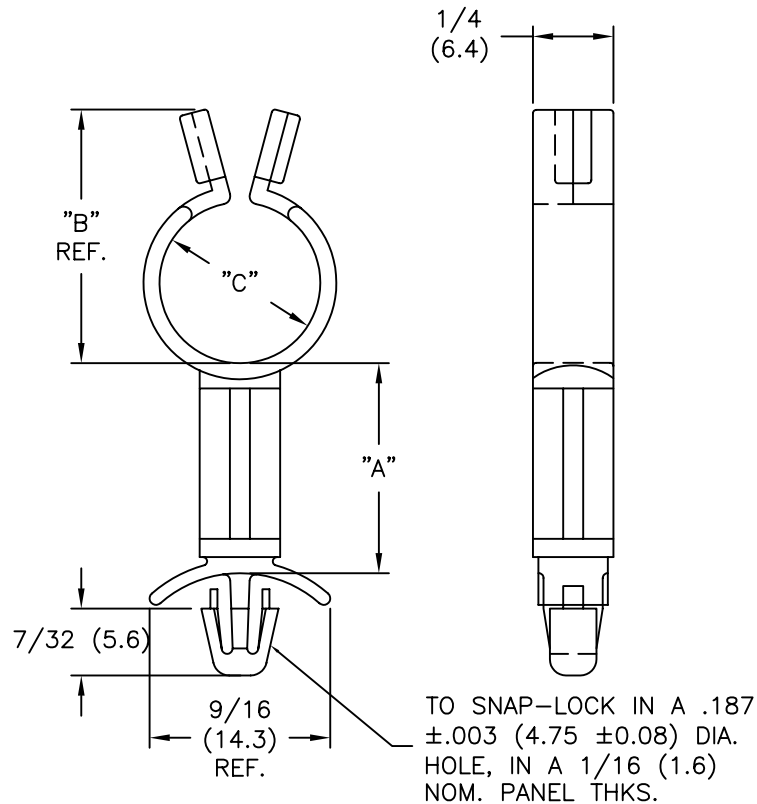
## Contact us

Tel: +86-755-8981 8866 Fax: +86-755-8427 6832

Email & Skype: info@chipsmall.com Web: www.chipsmall.com

Address: A1208, Overseas Decoration Building, #122 Zhenhua RD., Futian, Shenzhen, China





| PART NO. | "B"        | MAX. BUNDLE "C" LOCKED |
|----------|------------|------------------------|
| SLCS-250 | 0.53(13.5) | 3/16(4.8)              |
| SLCS-370 | 0.66(16.8) | 5/16(7.9)              |
| SLCS-500 | 0.79(20.1) | 7/16(11.1)             |
| SLCS-750 | 1.04(26.4) | 11/16(17.5)            |

| SUFFIX | "A"<br>±.015(0.4) |
|--------|-------------------|
| -3     | 3/16(4.8)         |
| -4     | 1/4(6.4)          |
| -6     | 3/8(9.5)          |
| -8     | 1/2(12.7)         |
| -10    | 5/8(15.9)         |
| *-12   | 3/4(19.1)         |
| *-14   | 7/8(22.2)         |
| -16    | 1.0(25.4)         |

NOTES:

1. MATERIAL: NYLON 6/6 UL 94 V-2 (RMS-01).
2. COLOR: NATURAL.
3. NYLON 6/6 UL 94 V-0 (RMS-19).  
AVAILABLE BY SPECIAL ORDER.
4. NYLON 6/6 UL 94 V-2, HEAT STABILIZED (RMS-109),  
AVAILABLE BY SPECIAL ORDER ONLY.  
TO ORDER ADD SUFFIX "-109" TO P/N.

\*PARTS AVAILABLE BY SPECIAL ORDER ONLY

| TITLE: STANDOFF LOCK CLIP SERIES |                           |             | DWG IN IN (MM) |              | FINAL                         |      |
|----------------------------------|---------------------------|-------------|----------------|--------------|-------------------------------|------|
| D                                | SEE ECN #1288 FOR CHANGES | SK 02.13.07 | FILE #         | SLCS         | DWN: J.B.                     | APP: |
| C                                | SEE ECN #914 FOR CHANGES  | SK 01.14.05 | MAT'L:         | SEE NOTES    | DT: 11-30-95                  | DT:  |
| B                                | SEE ECN #818 FOR CHANGES  | SM 10.01.04 | RE:            | RICHCO, INC. | RICHCO INC.                   |      |
| A                                | CHANGED FILE NUMBER       | SM 05.31.01 |                |              | PO BOX 804238, CHICAGO, 60680 |      |
| REV                              | DESCRIPTION               | ENGR DATE   |                |              | (773) 539-4060                |      |

TOLERANCES  
UNLESS NOTED  
.XX=±.010  
.XXX=±.005  
FRAC=±1/64  
ANG=±1°

PART #  
 SEE CHART  
 PRINT TYPE  
 CA