



Chipsmall Limited consists of a professional team with an average of over 10 year of expertise in the distribution of electronic components. Based in Hongkong, we have already established firm and mutual-benefit business relationships with customers from,Europe,America and south Asia,supplying obsolete and hard-to-find components to meet their specific needs.

With the principle of “Quality Parts,Customers Priority,Honest Operation,and Considerate Service”,our business mainly focus on the distribution of electronic components. Line cards we deal with include Microchip,ALPS,ROHM,Xilinx,Pulse,ON,Everlight and Freescale. Main products comprise IC,Modules,Potentiometer,IC Socket,Relay,Connector.Our parts cover such applications as commercial,industrial, and automotives areas.

We are looking forward to setting up business relationship with you and hope to provide you with the best service and solution. Let us make a better world for our industry!



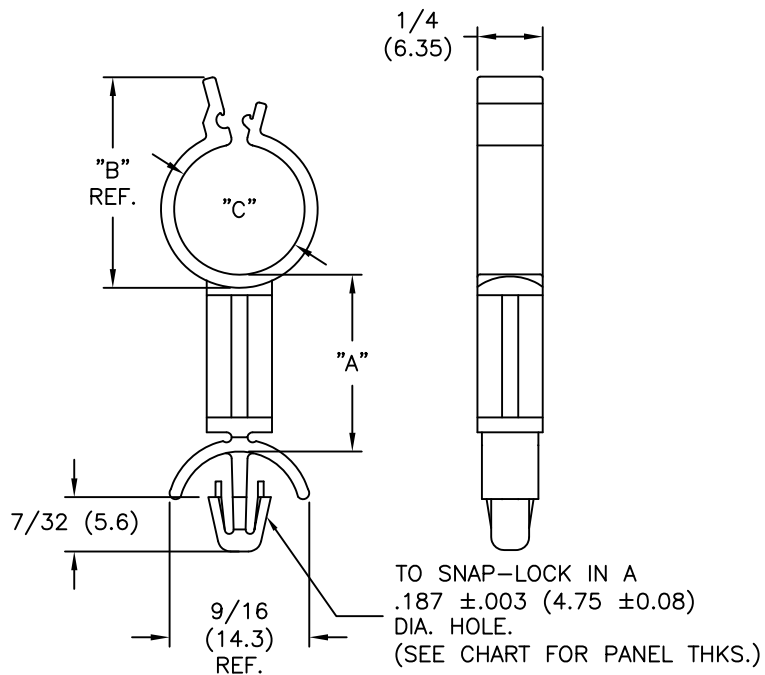
Contact us

Tel: +86-755-8981 8866 Fax: +86-755-8427 6832

Email & Skype: info@chipsmall.com Web: www.chipsmall.com

Address: A1208, Overseas Decoration Building, #122 Zhenhua RD., Futian, Shenzhen, China





PART NO.	"B"	MAX. BUNDLE DIA. "C" LOCKED	BOARD THICKNESS RANGE
SLCSE-250	.57 (14.5)	.22 (5.6)	1/32-5/64 (0.8-2.0)
SLCSE-370	.71 (18.0)	.35 (8.9)	
SLCSE-500	.83 (21.0)	.47 (12.0)	
SLCSE-750	1.08 (27.5)	.73 (18.4)	5/64-5/32 (2.0-4.0)
SLCSE2250	.57 (14.5)	.22 (5.6)	
SLCSE2370	.71 (18.0)	.35 (8.9)	
SLCSE2500	.83 (21.0)	.47 (12.0)	
SLCSE2750	1.08 (27.5)	.73 (18.4)	

SUFFIX	"A" ±.015(0.4)
-3	3/16(4.8)
-4	1/4(6.4)
-6	3/8(9.5)
-8	1/2(12.7)
-10	5/8(15.9)
-12	3/4(19.1)
-14	7/8(22.2)
-16	1.0(25.4)

PART NO. CODE

SLCSE - 500 - 8 - 01
 | | | |
 PART# SIZE "A" MAT'L

NOTES:

- MATERIAL: NYLON 6/6 UL94 V-2 (RMS-01).
 - NYLON 6/6 UL94 V-0 (RMS-19),
 AVAILABLE BY SPECIAL ORDER. TO ORDER
 REPLACE "-01" WITH "-19"
 -NYLON 4/6 UL94 V-2 (RMS-109),
 AVAILABLE BY SPECIAL ORDER. TO ORDER
 REPLACE "-01" WITH "-109".
- COLOR: NATURAL

TITLE: STANDOFF LOCK CLIP SERIES		DWG IN IN (MM)		FINAL		PRINT TYPE	
E	SEE CO 200773 FOR CHANGES	SK 04.30.12	TOLERANCES UNLESS NOTED	FILE # SLCSE	DWN: J.B.	APP:	PART # SEE CHART
D	SEE CO 200473 FOR CHANGES	SK 12.03.09	.XX=±.010	MAT'L: SEE NOTES	DT: 02-13-96	DT:	
C	SEE ECN #914 FOR CHANGES	SK 01.14.05	.XXX=±.005	RE: RICHCO, INC.	RICHCO INC. PO BOX 804238, CHICAGO, 60680 (773) 539-4060		CA
B	SEE ECN #818 FOR CHANGES	SM 10.01.04	FRAC=±1/64				
A	CHANGED FILE NUMBER	SM 05.31.01	ANG=±1°				
REV	DESCRIPTION	ENGR DATE					