



Chipsmall Limited consists of a professional team with an average of over 10 year of expertise in the distribution of electronic components. Based in Hongkong, we have already established firm and mutual-benefit business relationships with customers from,Europe,America and south Asia,supplying obsolete and hard-to-find components to meet their specific needs.

With the principle of “Quality Parts,Customers Priority,Honest Operation,and Considerate Service”,our business mainly focus on the distribution of electronic components. Line cards we deal with include Microchip,ALPS,ROHM,Xilinx,Pulse,ON,Everlight and Freescale. Main products comprise IC,Modules,Potentiometer,IC Socket,Relay,Connector.Our parts cover such applications as commercial,industrial, and automotives areas.

We are looking forward to setting up business relationship with you and hope to provide you with the best service and solution. Let us make a better world for our industry!



## Contact us

Tel: +86-755-8981 8866 Fax: +86-755-8427 6832

Email & Skype: info@chipsmall.com Web: www.chipsmall.com

Address: A1208, Overseas Decoration Building, #122 Zhenhua RD., Futian, Shenzhen, China



# SLE210K

## Miniature Power Rocker Switches

Dust Proof

FUJISOKU SWITCHES



C-US UL VDE SEMKO

RoHS Compliant

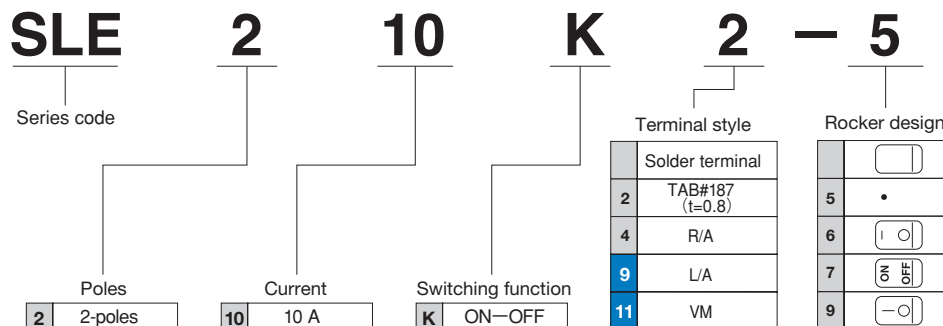
### Features

1. C-US UL , VDE and SEMKO approved products
2. Snap-in panel mounting
3. Compact size is suited for space-saving design.
4. Best suited for power supply of equipment.
5. Dust-proof type
6. 100 A rush current type.
7. Breaking distance is 3 mm or over.

### Specifications

Rating	Load	Inductive load				Resistive load
	Inrush current (p.f.=0.6)	125VAC		250VAC		
Break current (p.f.=0.9)	100A	60A	100A	60A	10A	125VAC 10A
	10A	10A	10A	10A	10A	250VAC (p.f.=1.0)
Min.	10mA 5VAC/DC				(Resistive load)	
C-ULUS	6A 125VAC·6A 250VAC				(Resistive load)	
Initial contact resistance	20mΩ max.				(1A 1~2VDC)	
Initial dielectric strength	1500VAC 1 minute					
Initial insulation resistance	100MΩ min				(500VDC)	
Electrical life (cycles)	5,000	10,000	5,000	10,000	10,000	
Operating force	3.92~12.7N					
Operating temperature range	-25~+85°C					
Storage temperature range	-40~+85°C					

### Part Numbering



★    : The combination marked in blue brackets shows made-to-order products.

### Marking Color

Frame color · Rocker color	Making color
Black	White

∟The black color is standard for the frame and the rocker.  
The gray and the ivory colors are also available as custom-made items.

### Handling Precautions

#### 1. Soldering Specifications

##### (1) Manual Soldering

Device : Soldering iron

380°C, Max.; 5 seconds, Max.

The tab terminals cannot be soldered.

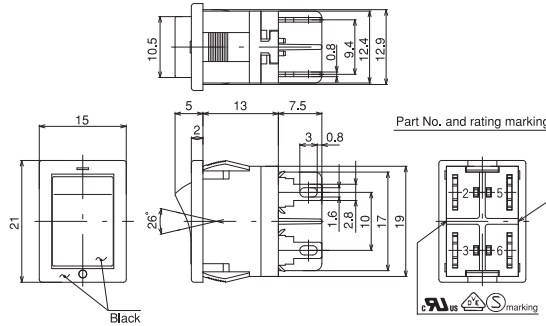
# SLE210K

## Table of Part Numbers

Frame color and rocker color	Marking color	Switching function	Terminal styles	Part number and rating marking side				
Black	White	ON—OFF	Solder terminal	☆SLE210K	★SLE210K-5	SLE210K-6	★SLE210K-7	SLE210K-9
			#187 TAB	SLE210K2	SLE210K2-5	SLE210K2-6	SLE210K2-7	SLE210K2-9
			Right-angle	★SLE210K4	★SLE210K4-5	☆SLE210K4-6	★SLE210K4-7	▲SLE210K4-9
			Left-angle	▲SLE210K9	★SLE210K9-5	★SLE210K9-6	★SLE210K9-7	★SLE210K9-9
			Vertical mounting	▲SLE210K11	▲SLE210K11-5	★SLE210K11-6	☆SLE210K11-7	▲SLE210K11-9

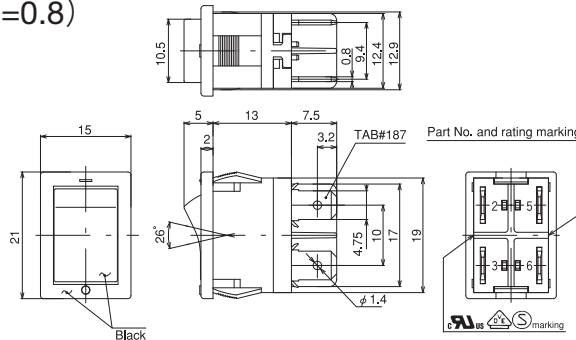
● For custom-made products, we accept orders for indication of letters, codes, etc., on the top surface of rocker.

### Solder terminal

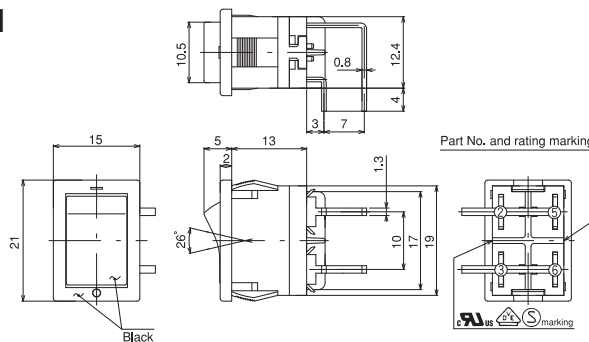


Switching function	Viewed from part No. & rating marking side	
Part No.	ON	OFF
Connecting terminals	2—3 5—6	—

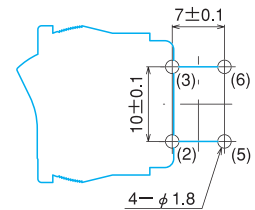
### TAB#187 Terminal (t=0.8)



### Right Angle Terminal

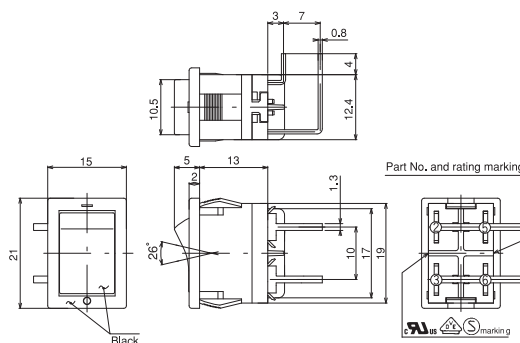


### PC Hole Layouts (Top view)

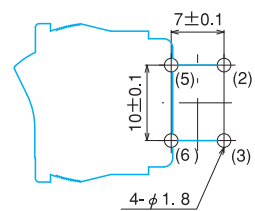


The blue lines show the outline of the switch.

### Left Angle Terminal



### PC Hole Layouts (Top view)



The blue lines show the outline of the switch.

▲ : Inquiry products.

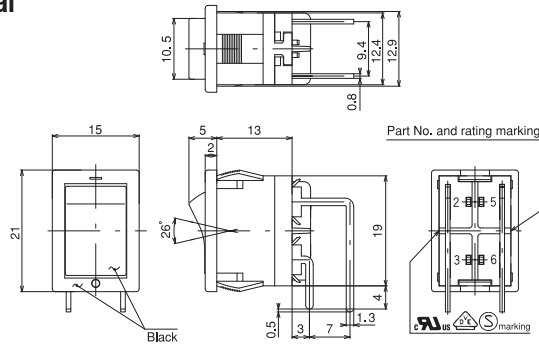
☆ : Semi-standard products.

★ : Made to order products.

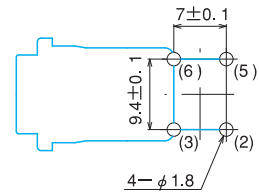
● Terminal numbers are shown on the bottom of the switch.

# SLE210K

## Vertical Mounting Terminal

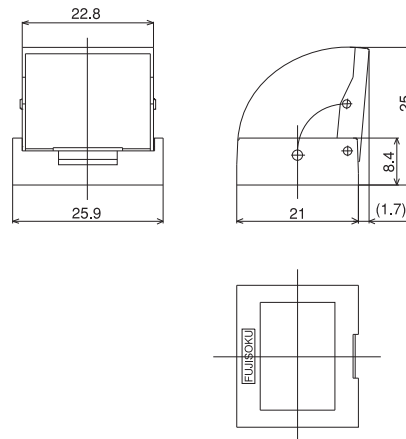


## PC Hole Layouts (Top view)



The blue lines show the outline of the switch.

## Switch Guard **Dedicated for use of rocker switches**



### Features

Clear visibility and one-touch mounting to save labor

### Application

Best suited for protection of malfunction of miniature rocker switches (panel cutout: 19.2 x 12.9)

### Specifications

Part Name: Switch guard

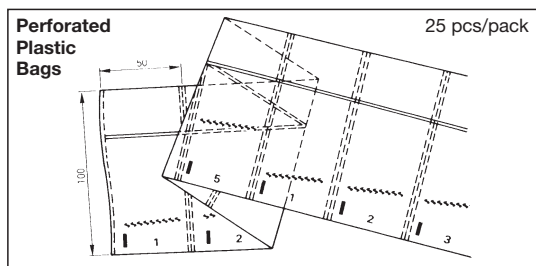
Part Number: 140007250027

Color: Black (transparent cover)

An application switch	● SLE6	● SLE10
	● SL10K	● SLE210K

※The switch guard cannot be used for the SLE10K type.

### Packaging Specification



### Approvals

UL File No.E43275

VDE License No. 4000090

SEMKO File No. 1312457

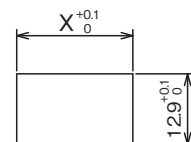
### Panel Cut-Out Dimensions

Switches

Panel thickness	X
0.75~1.25	19.2
1.25~2.0	19.4
2.0~3.0	19.8

Switch Guard Installation

Panel thickness	X
0.75~1.4	19.4
1.4~2.3	19.8



### PRECAUTIONS FOR PANEL MOUNTING