



Chipsmall Limited consists of a professional team with an average of over 10 year of expertise in the distribution of electronic components. Based in Hongkong, we have already established firm and mutual-benefit business relationships with customers from,Europe,America and south Asia,supplying obsolete and hard-to-find components to meet their specific needs.

With the principle of “Quality Parts,Customers Priority,Honest Operation,and Considerate Service”,our business mainly focus on the distribution of electronic components. Line cards we deal with include Microchip,ALPS,ROHM,Xilinx,Pulse,ON,Everlight and Freescale. Main products comprise IC,Modules,Potentiometer,IC Socket,Relay,Connector.Our parts cover such applications as commercial,industrial, and automotives areas.

We are looking forward to setting up business relationship with you and hope to provide you with the best service and solution. Let us make a better world for our industry!



Contact us

Tel: +86-755-8981 8866 Fax: +86-755-8427 6832

Email & Skype: info@chipsmall.com Web: www.chipsmall.com

Address: A1208, Overseas Decoration Building, #122 Zhenhua RD., Futian, Shenzhen, China



UG294: CPT213B SLEXP8019A Kit User's Guide

The CPT213B Capacitive Sense Evaluation Board is an excellent starting point to get familiar with Capacitive Sense touch pads.

The device serves as a user input peripheral for application development. The device can be configured for different touch sense capabilities and also contains easy access breakout pads and other peripherals for user feedback.

The kit includes the following:

- CPT213B Capacitive Sense Evaluation Board
- Getting Started card
- 1 x mini USB cable
- 1 x acrylic overlay

KEY FEATURES

- CPT213B Capacitive Sense device with I2C
- 20-pin expansion header for connection with a Silicon Labs Starter Kit (EFM8 or EFM32)
- Breakout test points for easy access to touch pads
- Power sources include USB and EXT Header
- 13 Capacitive Sense touch pads



1. Getting Started

Hardware

To set up the hardware for the CPT213B SLEXP8019A kit:

1. Provide power to the board by connecting the DBG USB connector to the PC using the provided USB cable. When a connection has been established successfully, the LED (marked in the picture) lights up.
2. Place the acrylic overlay on the board over the capacitive sense pads.

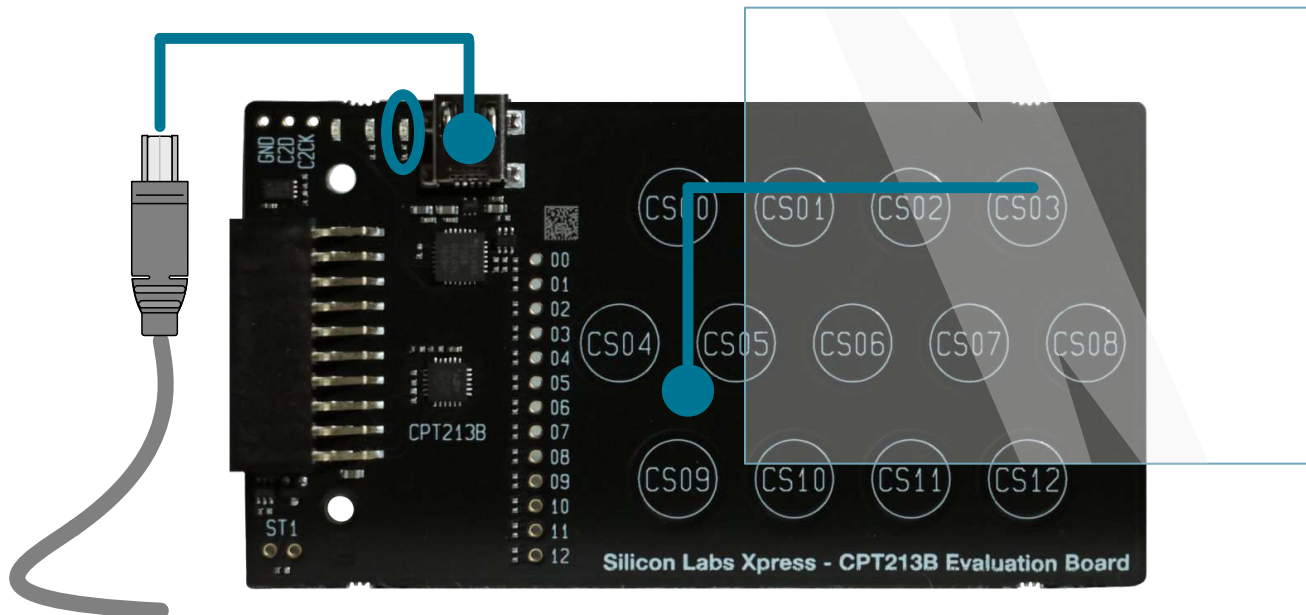


Figure 1.1. Hardware Setup

Software

The first step to get started with your new CPT213B SLEXP8019A kit is to go to

<http://www.silabs.com/simplicity>

The Simplicity Studio software package contains all the tools, drivers, software examples, and documentation needed to use the CPT213B Capacitive Sense Evaluation Board. The board comes preconfigured for a Touch Demo for use with the acrylic overlay. The demo enables the board to recognize touch events and touch release events. Every time a touch is sensed, the touch is communicated on the I2C interface.

After downloading the latest version of Simplicity Studio and installing the software:

1. In the [Launcher], select [CPT213B] in [Device] pane. On the board, a successful USB connection is established when the LED next to the USB connector turns on.
2. In the [Launcher], under [Compatible Tools], click the [Capacitive Sense Profiler] tile. This utility graphs touch-related data and events received from the CPT213B SLEXP8019A for evaluation and analysis.

2. Kit Block Diagram

An overview of the CPT213B Capacitive Sense Evaluation Board is shown in the figure below.

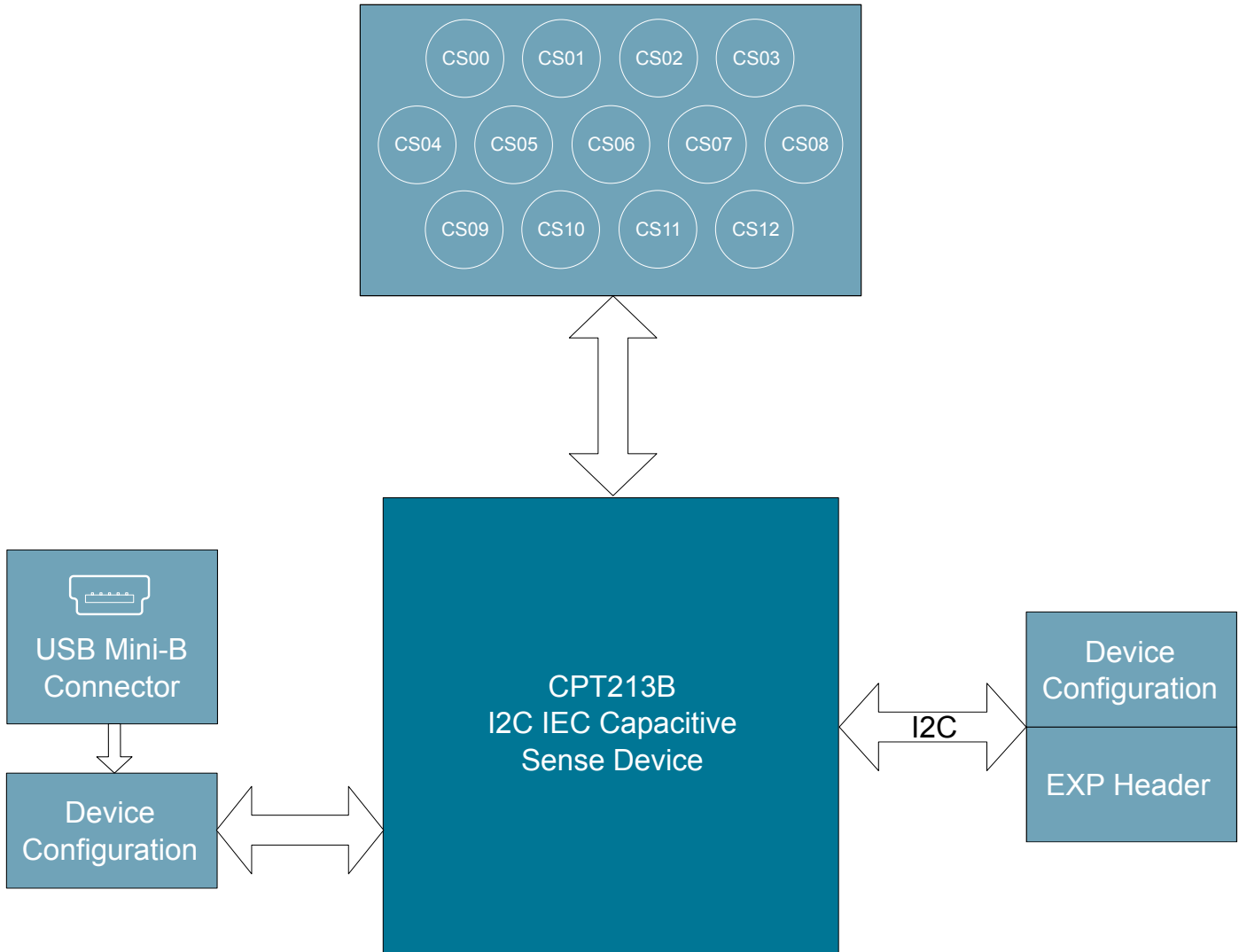


Figure 2.1. CPT213B SLEXP8019A Block Diagram

3. Kit Hardware Layout

The layout of the CPT213B Capacitive Sense Evaluation Board is shown below.

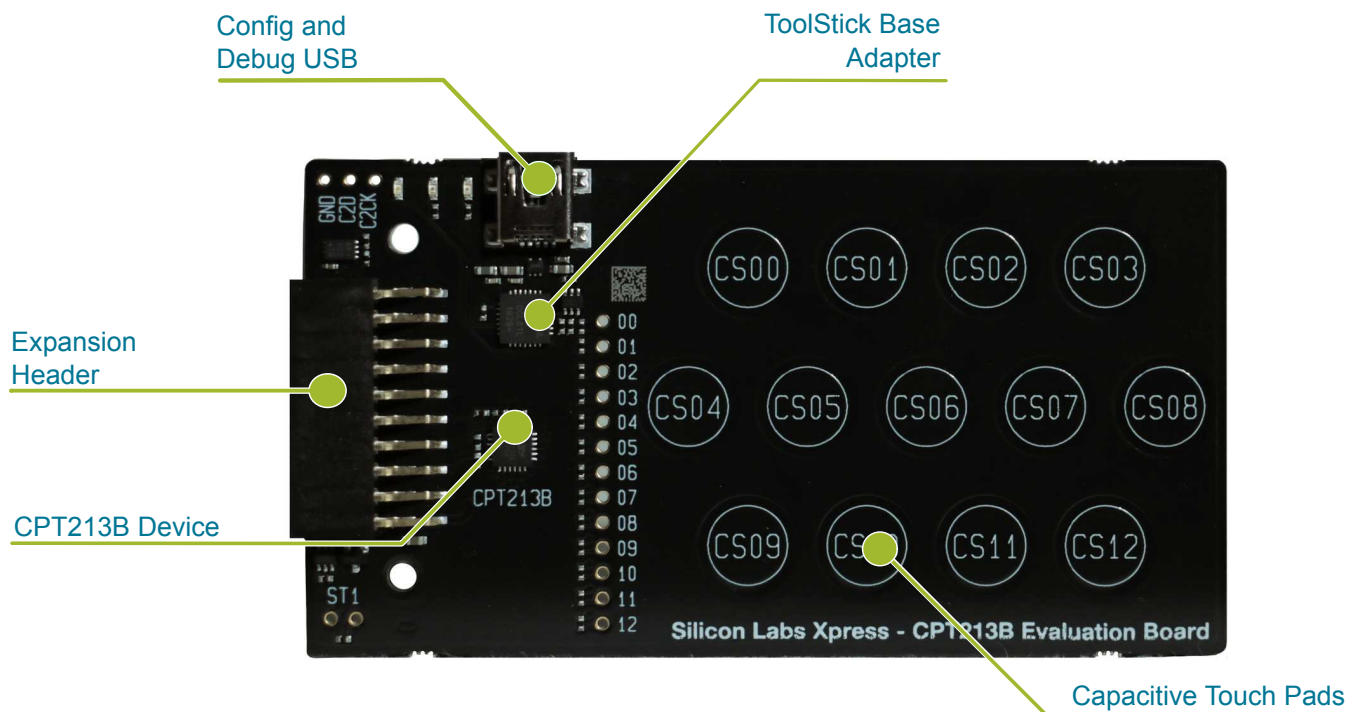


Figure 3.1. CPT213B SLEXP8019A Hardware Layout

The CPT213B device on the kit can be connected to external peripherals other than the assigned pin functions using the vias on the board. The table below shows all of the external connections to the fixed function CPT213B device.

Table 3.1. CPT213B Device Connections

CPT213B Pin	Assigned Function	Expansion Port Connection (EXP)
CS00	Capacitive Sense Pad CS00	—
CS01	Capacitive Sense Pad CS01	—
CS02	Capacitive Sense Pad CS02	—
CS03	Capacitive Sense Pad CS03	—
CS04	Capacitive Sense Pad CS04	—
CS05	Capacitive Sense Pad CS05	—
CS06	Capacitive Sense Pad CS06	—
CS07	Capacitive Sense Pad CS07	—
CS08	Capacitive Sense Pad CS08	—
CS09	Capacitive Sense Pad CS09	—
CS10	Capacitive Sense Pad CS10	—
CS11	Capacitive Sense Pad CS11	—
CS12	Capacitive Sense Pad CS12	—
EB_SCL	Event Buffer I2C SCL	EXP15

CPT213B Pin	Assigned Function	Expansion Port Connection (EXP)
EB_SDA	Event Buffer I2C SDA	EXP16
EB_INT	Event Buffer Interrupt Pin	EXP6
RSTb / Config Clk	Configuration Clock	EXP10
Config Data	Configuration Data	—

4. Power and Operation

4.1 Power Selection

The CPT213B Capacitive Sense Evaluation Board is designed to be powered by two different sources:

- Through the on-board USB.
- Through the EXP header.

The figure shows how the different power sources are connected to the device.

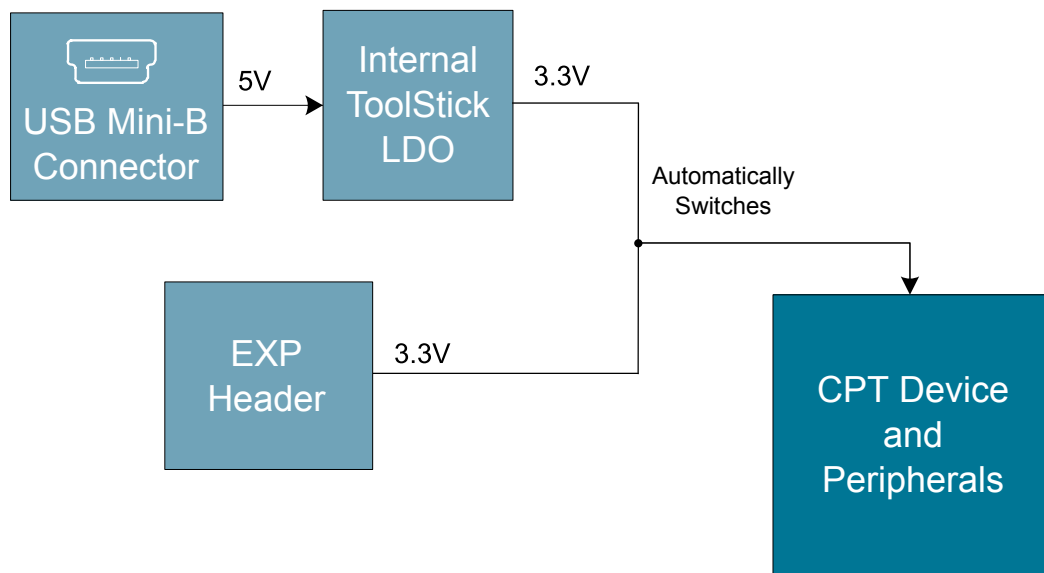


Figure 4.1. CPT213B SLEXP8019A Power Supply

When the USB is connected, the board is powered from the LDO internal to the USB device, which is in turn powered by the USB cable.

The board can also be powered externally through the VMCU and GND pins of the expansion header when the board is attached to a power supply or an EFM MCU Starter Kit.

When power is provided through the USB or an external power supply, the device can act as a stand alone device. When it is connected to an EFM MCU Starter Kit through the expansion header, the device acts as a peripheral to the MCU by providing capacitive sense capabilities.

4.2 Standalone

In standalone mode, the CPT213B SLEXP8019A on the CPT213B Capacitive Sense Evaluation Board is designed to showcase and test the board's features or act as a breakout board for any application. To operate in this mode, apply power using the USB connector or an external supply.

The board can operate on its own to demonstrate and test the board's touch features and functionalities. The CPT213B SLEXP8019A features configurable options such as touch characteristics, output characteristics, and user feedback peripherals. The device's features can be configured in Simplicity Studio using [**Xpress Configurator**], and the capacitive sense data can be viewed in the [**Capacitive Sense Profiler**].

The touch qualification engine on the device will process the touch information and output the results through I2C. The device outputs can be accessed through the expansion header, and the capacitive sense inputs can be accessed through the vias on the board.

4.3 Connected to the Expansion Header

The CPT213B Capacitive Sense Evaluation Board is designed to quickly attach to any EFM32 and EFM8 MCU starter kit and jump-start the development of capacitive sense capable applications. Attach the CPT213B Capacitive Sense Evaluation Board to the STK through the expansion header to connect the power and communication pins.

To see how the board works in conjunction with the MCU starter kit, go to the starter kit's [Demos] under [Getting Started] in Simplicity Studio and run [CPT213B Demo].

For more details on the starter kit, see the corresponding starter kit's user guide.

Note: Not all EFM32 starter kits support this expansion board. See the available demos in Simplicity Studio for more information.

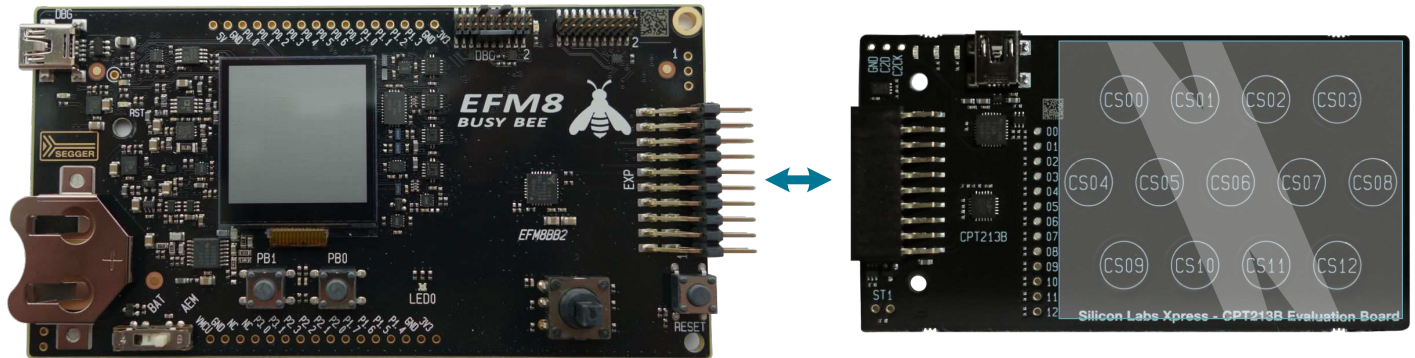


Figure 4.2. CPT213B SLEXP8019A Connected to an Example EFM8BB2 STK

5. Peripherals

The starter kit has a set of peripherals that showcase some of the features of the CPT213B device.

Be aware that some CPT213B I/O routed to peripherals are also routed to the breakout pads. This must be taken into consideration when using the breakout pads for your application.

5.1 Capacitive Sense Touch Pads

The kit has 13 capacitive sense touch pads. The touch pads are connected in order to pins CS00 - CS12 of the CPT213B SLEXP8019A. After the touch pad inputs have been processed by the touch qualification engine, the CPT213B SLEXP8019A will output the result through I2C.

The capacitive sense inputs can be configured for different thresholds, debounce counter values, scan periods, gain, scanning methods, touch time-outs, and touch exclusiveness using the **[Xpress Configurator]** in Simplicity Studio. The device outputs can also be configured for different pin polarities and drive strength.

See the CPT213B SLEXP8019A Data Sheet for more detailed information on the different configurations.

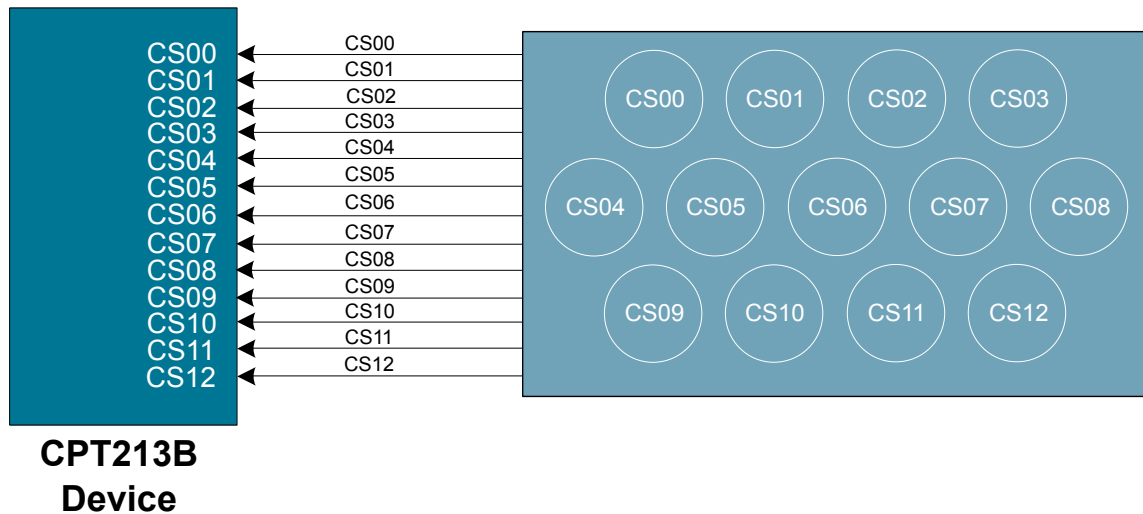


Figure 5.1. Capacitive Sense Touch Pads

6. Connectors

6.1 Test Points

The test points located on the left of the touch pads are routed to the capacitive sense input traces and power rails.

The capacitive sense input traces can be accessed through the vertically aligned vias located in middle of the board on the left of the touch pads. All 13 CPT213B capacitive sensing touch pads are bound to each via.

At the bottom left corner of the board, there are two test points for VMCU labeled "ST1" to measure the active current of the board using an in-circuit ammeter. A 2.54 mm pitch pin header can be soldered in for easy access to these pins.

Note: In order for the capacitive sense pins to be connected properly to your application or power to be measured correctly, the 0 ohm resistors must be removed. The 0 ohm resistor for a channel can be found next to the corresponding via on the top side of the board.

At the top left corner of the board, there are three test points for Config Clk, Config Data, and GND to allow programming of external CPT devices.

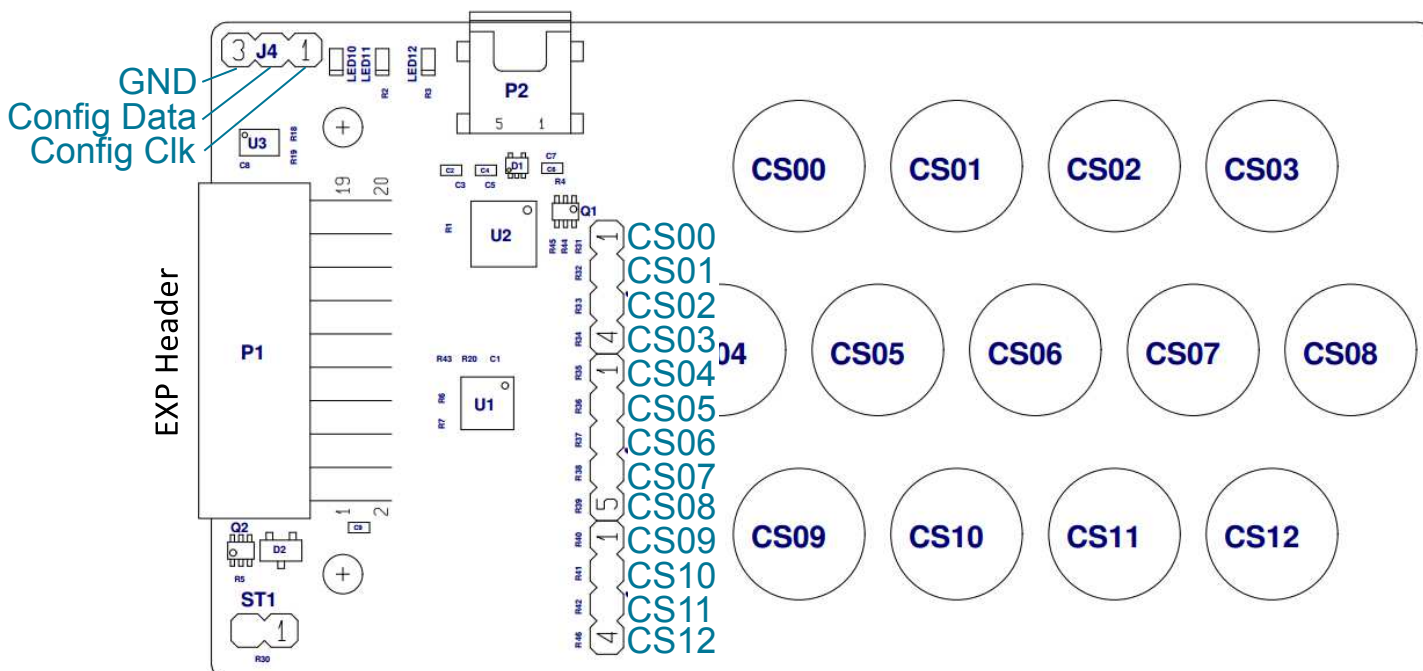


Figure 6.1. Breakout Pads

6.2 Expansion Header

On the left hand side of the board is a female expansion header to connect to a Silicon Labs EFM8 or EFM32 Starter Kit (STK). The connector contains a number of output and communication pins that can be used to communicate with the MCU on the STK. The results from the touch qualification engine are routed out to these pins. Additionally, the VMCU, 3V3, and 5V power rails are also imported. The figure below shows the pin assignment of the expansion header.

The CPT213B SLEXP8019A outputs using I2C.

The pin assignment of the expansion header and the peripheral function are listed below in the figure and table.

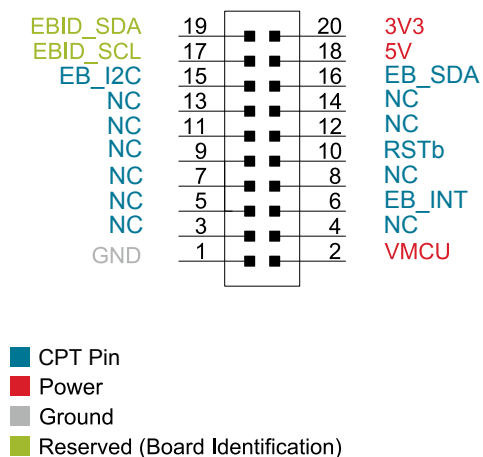


Figure 6.2. Expansion Header

Table 6.1. Pins available on Expansion Header

CPT213B pin	EXP Header pin number
EB_SCL	15
EB_SDA	16
EB_INT	6
RSTb	10

7. Simplicity Studio

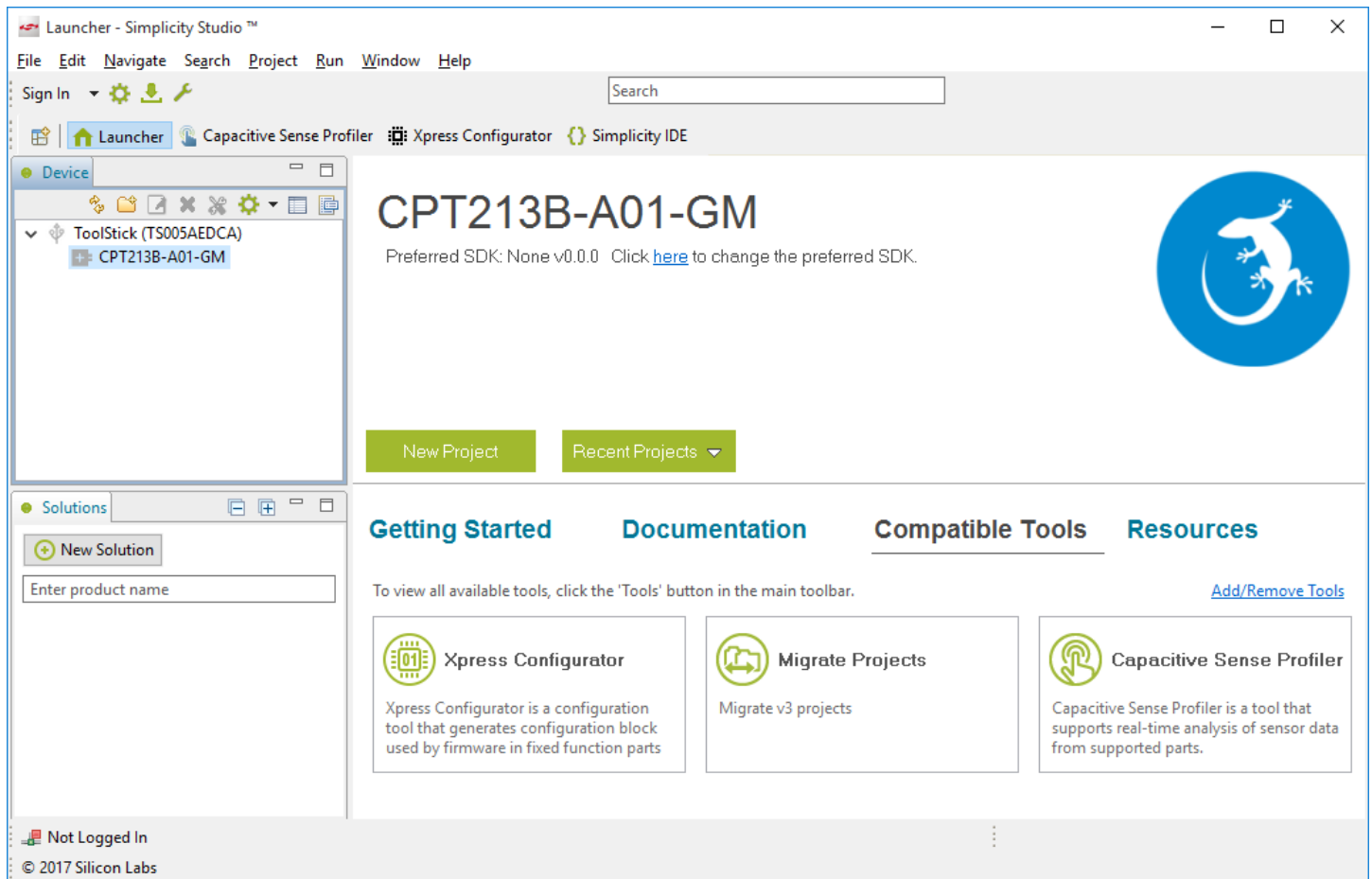


Figure 7.1. Simplicity Studio

7.1 Xpress Configurator

[Xpress Configurator] provides the necessary tools to modify the CPT213B SLEXP8019A's functionalities for a custom application in an easy-to-use GUI. To use [Xpress Configurator] within Simplicity Studio:

1. Provide power to the board by connecting the USB connector to the PC using the provided USB cable.
2. Select [CPT213B] in the [Device] pane.
3. Go to [Compatible Tools] and click the [Xpress Configurator] tile.
4. Select the desired configuration for the engine and peripherals.

More information about each of the options in [Xpress Configurator] is available in AN957: "TouchXpress Configuration and Profiling Guide." Application notes can be accessed within Simplicity Studio under [Documentation] or on the Silicon Labs website (www.silabs.com/interface-appnotes).

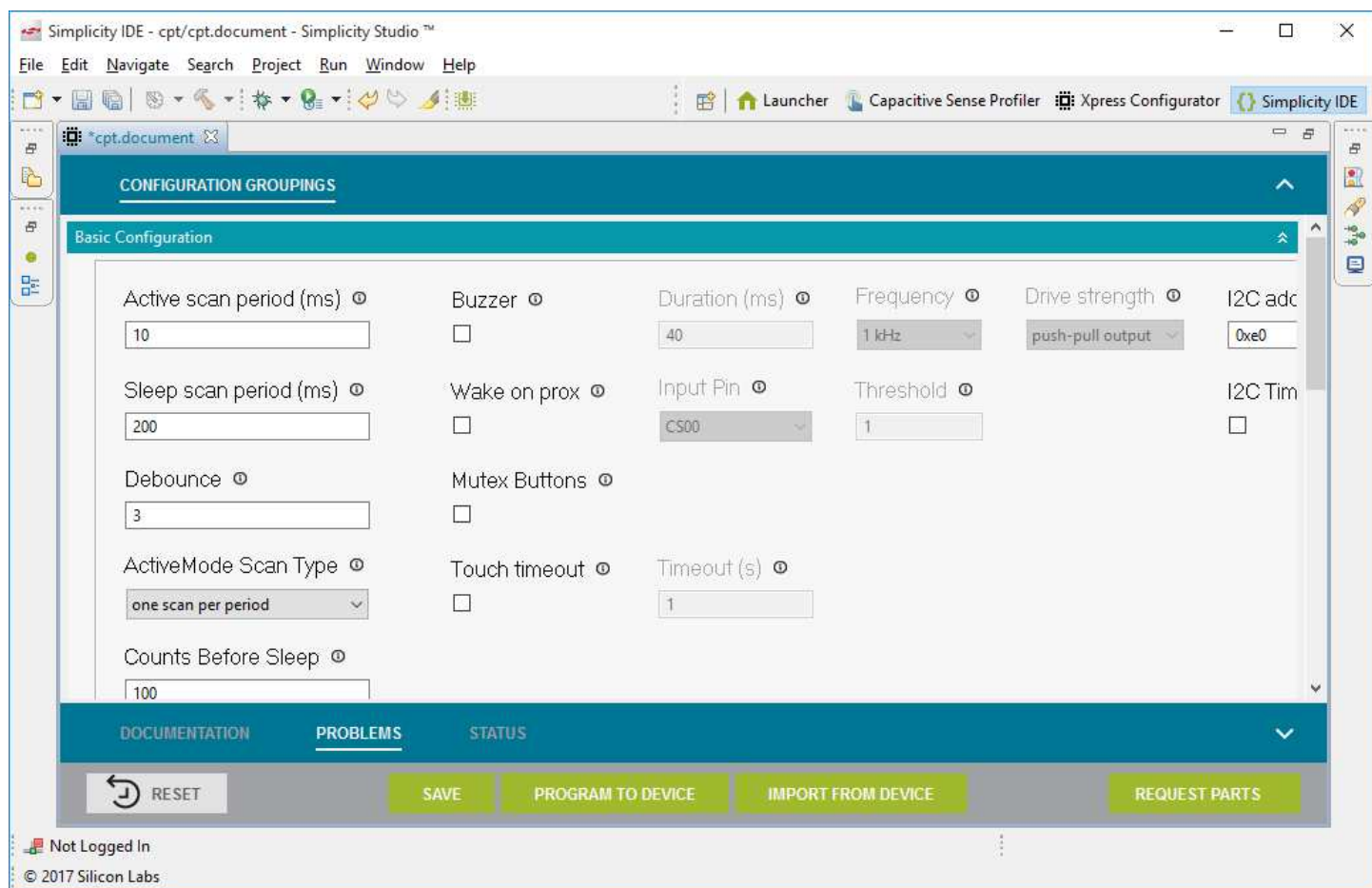


Figure 7.2. Simplicity Studio Xpress Configurator

7.2 Capacitive Sense Profiler

The [Capacitive Sense Profiler] in Simplicity Studio displays touches, raw and processed data, and noise information in a simple-to-use GUI. Touch and release any of the capacitive sensing peripherals on the board and the profiler will display the data in a table and as a graph over time.

To access and setup the [Capacitive Sense Profiler] in [Simplicity Studio]:

1. Provide power to the board by connecting the USB connector to the PC using the provided USB cable.
2. select the [CPT213B] kit in the [Device] pane.
3. Go to [Compatible Tools] and select the [Capacitive Sense Profiler] tile.
4. In the [Control Panel], click [Use Device...].

Once the board is connected, touch and release any of the capacitive sensing touch peripherals on the board to view the raw and processed data. The profiler can view the data as [Raw Data], [Noise], and [Buttons]. The Buttons view is particularly useful since it shows the state of the capacitive sense touch pads as either on or off.

More information about [Capacitive Sense Profiler] is available in AN957: "TouchXpress Configuration and Profiling Guide." Application notes can be accessed within Simplicity Studio under [Documentation] or on the Silicon Labs website (www.silabs.com/interface-appnotes).

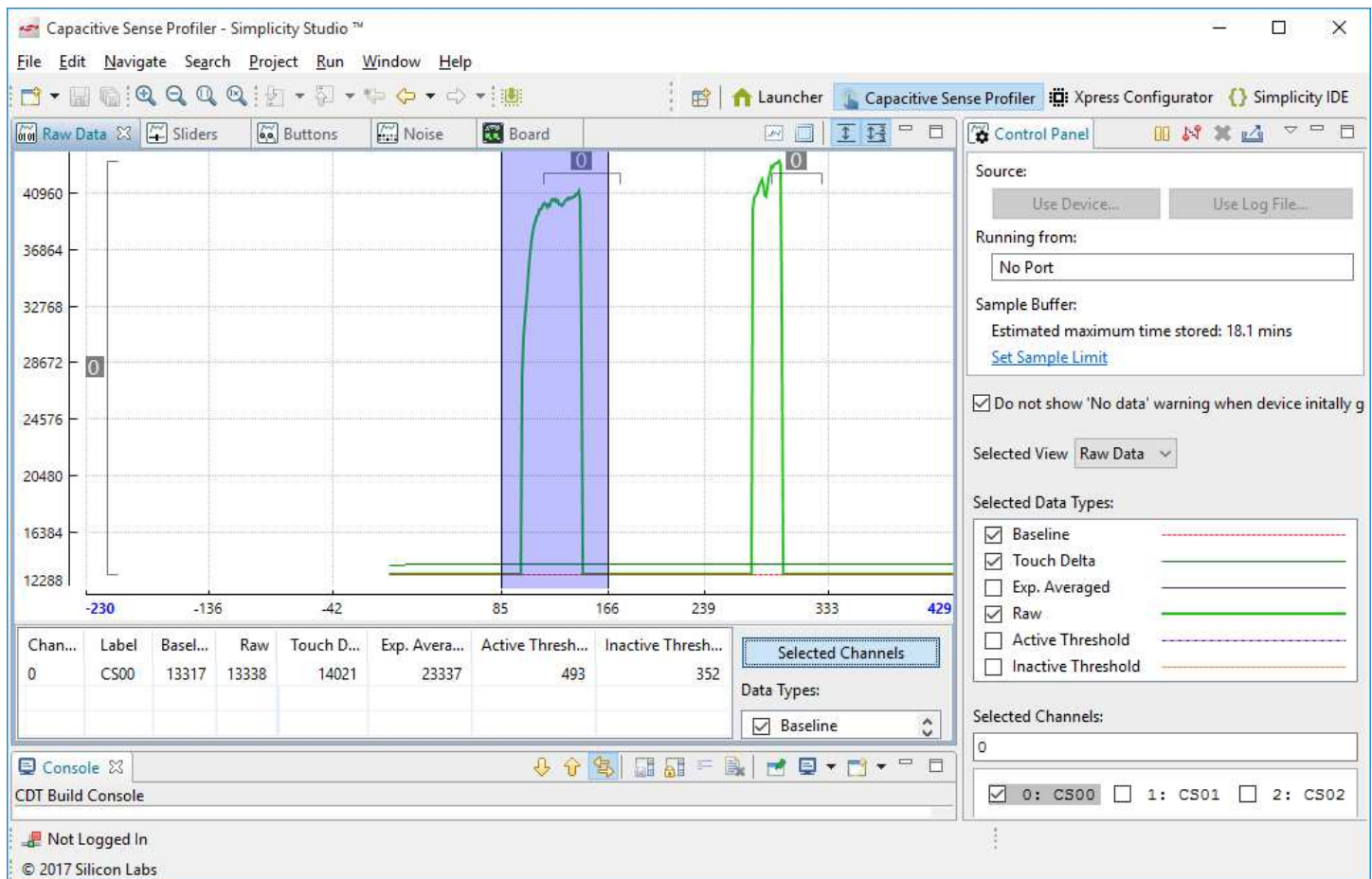


Figure 7.3. Simplicity Studio Capacitive Sense Profiler

8. Advanced Energy Monitor

When the CPT213B Capacitive Sense Evaluation Board is connected to a Silicon Labs STK, the STK's Advanced Energy Monitor (AEM) hardware also measures the CPT213B power consumption using the VMCU connection on the EXP header. By using the [Energy Profiler] in Simplicity Studio, current consumption and voltage can be measured in real time.

More details about AEM and its operation can be found in the STK User Guide. Note that AEM will measure the current for all circuitry connected to VMCU, including the STK MCU and the CPT device.

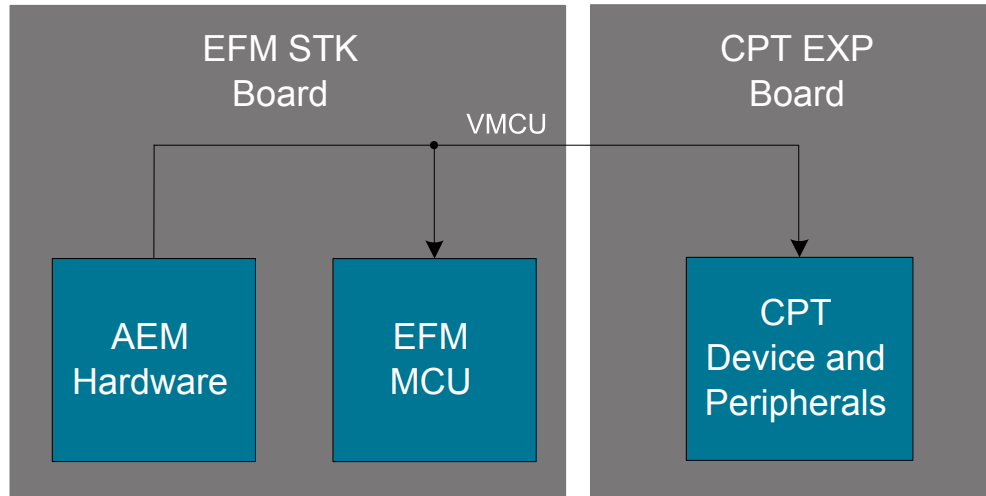


Figure 8.1. Measuring CPT213B SLEXP8019A Current Using AEM

9. Schematics, Assembly Drawings, and BOM

9.1 Board Files

The schematics, assembly drawings and bill of materials (BOM) for the CPT213B Capacitive Sense Evaluation Board are available through Simplicity Studio when the kit documentation package has been installed. To access these documents, click the **[Kit Documentation]** tile after selecting the device in the left pane.

9.2 Board Revision History

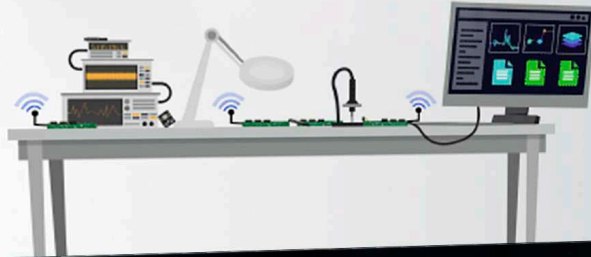
- A00 — Initial production revision.

A00 Revision Boards

These boards do not currently have any known issues.

Silicon Labs

Simplicity Studio™4



Simplicity Studio

One-click access to MCU and wireless tools, documentation, software, source code libraries & more. Available for Windows, Mac and Linux!



IoT Portfolio
www.silabs.com/IoT



SW/HW
www.silabs.com/simplicity



Quality
www.silabs.com/quality



Support and Community
community.silabs.com

Disclaimer

Silicon Labs intends to provide customers with the latest, accurate, and in-depth documentation of all peripherals and modules available for system and software implementers using or intending to use the Silicon Labs products. Characterization data, available modules and peripherals, memory sizes and memory addresses refer to each specific device, and "Typical" parameters provided can and do vary in different applications. Application examples described herein are for illustrative purposes only. Silicon Labs reserves the right to make changes without further notice and limitation to product information, specifications, and descriptions herein, and does not give warranties as to the accuracy or completeness of the included information. Silicon Labs shall have no liability for the consequences of use of the information supplied herein. This document does not imply or express copyright licenses granted hereunder to design or fabricate any integrated circuits. The products are not designed or authorized to be used within any Life Support System without the specific written consent of Silicon Labs. A "Life Support System" is any product or system intended to support or sustain life and/or health, which, if it fails, can be reasonably expected to result in significant personal injury or death. Silicon Labs products are not designed or authorized for military applications. Silicon Labs products shall under no circumstances be used in weapons of mass destruction including (but not limited to) nuclear, biological or chemical weapons, or missiles capable of delivering such weapons.

Trademark Information

Silicon Laboratories Inc.®, Silicon Laboratories®, Silicon Labs®, SiLabs® and the Silicon Labs logo®, Bluegiga®, Bluegiga Logo®, Clockbuilder®, CMEMS®, DSPLL®, EFM®, EFM32®, EFR®, Ember®, Energy Micro, Energy Micro logo and combinations thereof, "the world's most energy friendly microcontrollers", Ember®, EZLink®, EZRadio®, EZRadioPRO®, Gecko®, ISOModem®, Micrium, Precision32®, ProSLIC®, Simplicity Studio®, SiPHY®, Telegesis, the Telegesis Logo®, USBXpress®, Zentri and others are trademarks or registered trademarks of Silicon Labs. ARM, CORTEX, Cortex-M3 and THUMB are trademarks or registered trademarks of ARM Holdings. Keil is a registered trademark of ARM Limited. All other products or brand names mentioned herein are trademarks of their respective holders.



SILICON LABS

Silicon Laboratories Inc.
400 West Cesar Chavez
Austin, TX 78701
USA

<http://www.silabs.com>