



Chipsmall Limited consists of a professional team with an average of over 10 year of expertise in the distribution of electronic components. Based in Hongkong, we have already established firm and mutual-benefit business relationships with customers from,Europe,America and south Asia,supplying obsolete and hard-to-find components to meet their specific needs.

With the principle of “Quality Parts,Customers Priority,Honest Operation,and Considerate Service”,our business mainly focus on the distribution of electronic components. Line cards we deal with include Microchip,ALPS,ROHM,Xilinx,Pulse,ON,Everlight and Freescale. Main products comprise IC,Modules,Potentiometer,IC Socket,Relay,Connector.Our parts cover such applications as commercial,industrial, and automotives areas.

We are looking forward to setting up business relationship with you and hope to provide you with the best service and solution. Let us make a better world for our industry!



Contact us

Tel: +86-755-8981 8866 Fax: +86-755-8427 6832

Email & Skype: info@chipsmall.com Web: www.chipsmall.com

Address: A1208, Overseas Decoration Building, #122 Zhenhua RD., Futian, Shenzhen, China





GreenPAK 3 Programmable Mixed Signal Array

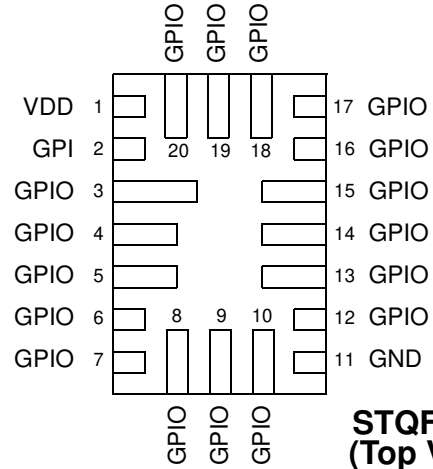
Features

- Logic & Mixed Signal Circuits
- Highly Versatile Macro Cells
- Read Back Protection (Read Lock)
- 1.8V ($\pm 5\%$) to 5V ($\pm 10\%$) Supply
- Operating Temperature Range: -40°C to 85°C
- RoHS Compliant / Halogen-Free
- 20-pin STQFN: 2 x 3 x 0.55 mm, 0.4 mm pitch

Applications

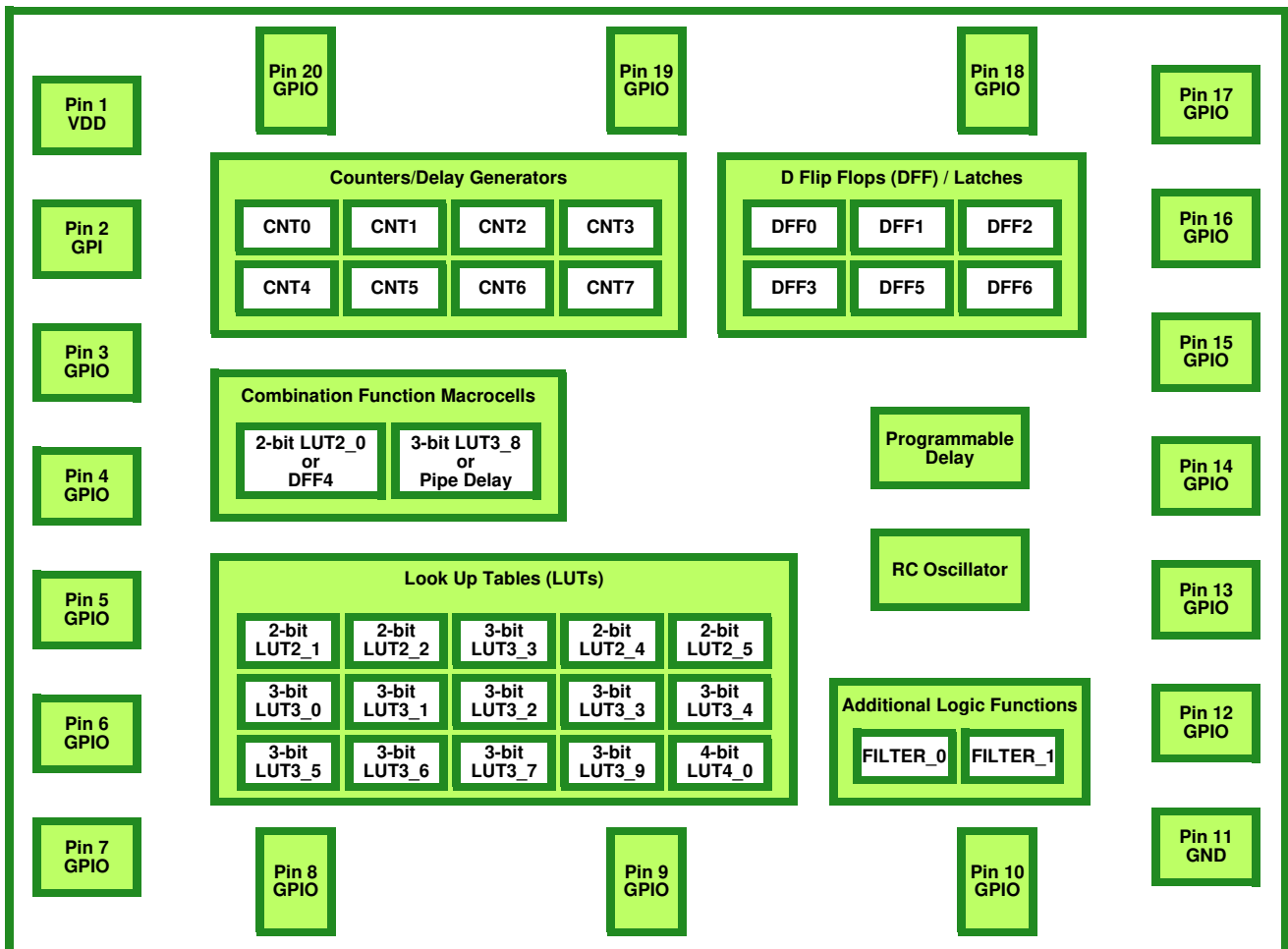
- Personal Computers and Servers
- PC Peripherals
- Consumer Electronics
- Data Communications Equipment
- Handheld and Portable Electronics

Pin Configuration



**STQFN-20
(Top View)**

Block Diagram





1.0 Overview

The SLG46722 provides a small, low power component for commonly used mixed-signal functions. The user creates their circuit design by programming the one time Non-Volatile Memory (NVM) to configure the interconnect logic, the I/O Pins and the macro cells of the SLG46722. This highly versatile device allows a wide variety of mixed-signal functions to be designed within a very small, low power single integrated circuit. The macro cells in the device include the following:

- Fifteen Combinatorial Look Up Tables (LUTs)
 - Five 2-bit LUTs
 - Nine 3-bit LUTs
 - One 4-bit LUT
- Two Combination Function Macro cell
 - One Selectable FF/Latch or 2-bit LUT
 - One Selectable Pipe Delay or 3-bit LUT
 - Pipe Delay – 16 stage / 3 output
- Eight Counter / Delay Generators (CNT/DLY)
 - One 14-bit delay/counter
 - One 14-bit delay/counter with external clock/reset
 - Four 8-bit delays/counters
 - Two 8-bit delays/counters with external clock/reset
- Six D Flip-Flop / Latches (DFF)
- Pipe Delay – 16 stage/3 output (Part of Combination Function Macrocell)
- Programmable Delay
- Additional Logic Functions – 2 Deglitch Filters
- RC Oscillator (RC OSC)



2.0 Pin Description

2.1 Functional and Programming Pin Description

Pin #	Pin Name	Function	Programming Function
1	VDD	Power Supply	Power Supply
2	GPI	General Purpose Input	V _{PP} (Programming Voltage)
3	GPIO	General Purpose I/O	Reset
4	GPIO	General Purpose I/O	N/A
5	GPIO	General Purpose I/O	N/A
6	GPIO	General Purpose I/O	N/A
7	GPIO	General Purpose I/O	N/A
8	GPIO	General Purpose I/O or POR Output	N/A
9	GPIO	General Purpose I/O	N/A
10	GPIO	General Purpose I/O	N/A
11	GND	Ground	Ground
12	GPIO	General Purpose I/O	N/A
13	GPIO	General Purpose I/O	N/A
14	GPIO	General Purpose I/O	N/A
15	GPIO	General Purpose I/O	N/A
16	GPIO	General Purpose I/O	Programming Mode Control
17	GPIO	General Purpose I/O	Programming ID Pin
18	GPIO	General Purpose I/O	Programming SDIO Pin
19	GPIO	General Purpose I/O	Programming SRDWB Pin
20	GPIO	General Purpose I/O or External Clock	Programming SCL Pin



3.0 User Programmability

The SLG46722 is a user programmable device with One-Time-Programmable (OTP) memory elements that are able to construct combinatorial logic elements. Three of the I/O Pins provide a connection for the bit patterns into the OTP on board memory. A programming development kit allows the user the ability to create initial devices. Once the design is finalized, the programming code (.gpx file) is forwarded to Silego to integrate into a production process.

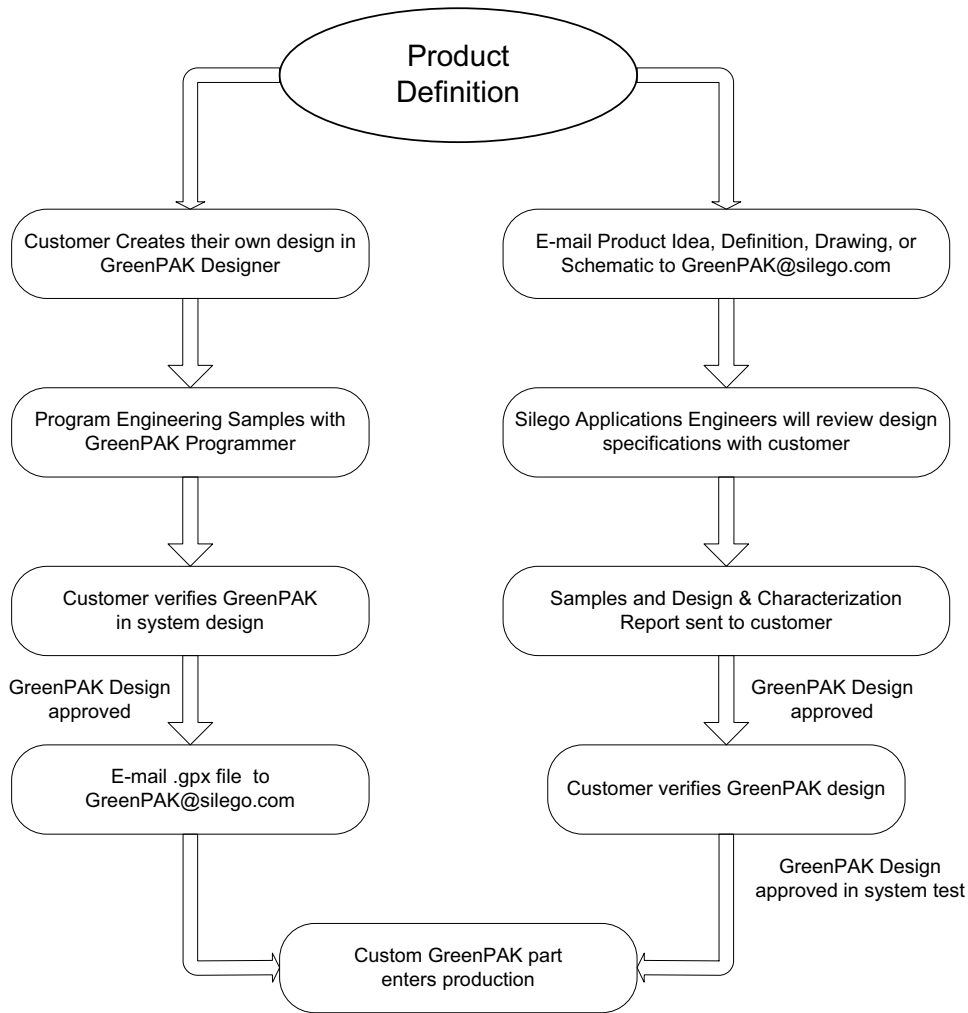


Figure 1. Steps to create a custom Silego GreenPAK device



4.0 Ordering Information

Part Number	Type
SLG46722V	20-pin STQFN
SLG46722VTR	20-pin STQFN - Tape and Reel (3k units)



5.0 Electrical Specifications

5.1 Absolute Maximum Conditions

Parameter	Min.	Max.	Unit
Supply voltage on VDD relative to GND	-0.5	7	V
DC Input voltage	GND - 0.5	VDD + 0.5	V
Current at Input Pin	-1.0	1.0	mA
Storage Temperature Range	-65	150	°C
Junction Temperature	--	150	°C
ESD Protection (Human Body Model)	2000	--	V
ESD Protection (Charged Device Model)	1300	--	V
Moisture Sensitivity Level	1		

5.2 Electrical Characteristics (1.8 V ±5% V_{DD})

Symbol	Parameter	Condition/Note	Min.	Typ.	Max.	Unit
V _{DD}	Supply Voltage		1.71	1.80	1.89	V
T _A	Operating Temperature		-40	25	85	°C
V _{PP}	Programming Voltage		7.25	7.50	7.75	V
V _{IH}	HIGH-Level Input Voltage	Logic Input	1.100	--	--	V
		Logic Input with Schmitt Trigger	1.270	--	--	V
		Low-Level Logic Input	0.980	--	--	V
V _{IL}	LOW-Level Input Voltage	Logic Input	--	--	0.690	V
		Logic Input with Schmitt Trigger	--	--	0.440	V
		Low-Level Logic Input	--	--	0.520	V
I _{IH}	HIGH-Level Input Current	Logic Input Pins; V _{IN} = 1.8 V	-1.0	--	1.0	μA
I _{IL}	LOW-Level Input Current	Logic Input Pins; V _{IN} = 0 V	-1.0	--	1.0	μA
V _{OH}	HIGH-Level Output Voltage	Push-Pull 1X, Open Drain PMOS 1X, I _{OH} = 100 μA	1.690	1.789	--	V
		Push-Pull 2X, Open Drain PMOS 2X, I _{OH} = 100 μA	1.700	1.794	--	V
V _{OL}	LOW-Level Output Voltage	Push-Pull 1X, I _{OL} = 100 μA	--	0.008	0.030	V
		Push-Pull 2X, I _{OL} = 100 μA	--	0.004	0.010	V
		Open Drain NMOS 1X, I _{OL} = 100 μA	--	0.005	0.020	V
		Open Drain NMOS 2X, I _{OL} = 100 μA	--	0.003	0.010	V
		Open Drain NMOS 4X, I _{OL} = 100 μA	--	0.003	0.004	V
I _{OH}	HIGH-Level Output Current	Push-Pull 1X, Open Drain PMOS 1X, V _{OH} = V _{DD} - 0.2	1.066	1.703	--	mA
		Push-Pull 1X, Open Drain PMOS 1X, V _{OH} = V _{DD} - 0.2	2.216	3.406	--	mA



Symbol	Parameter	Condition/Note	Min.	Typ.	Max.	Unit
I_{OL}	LOW-Level Output Current	Push-Pull 1X, $V_{OL} = 0.15\text{ V}$	0.917	1.689	--	mA
		Push-Pull 2X, $V_{OL} = 0.15\text{ V}$	1.834	3.378	--	mA
		Open Drain NMOS 1X, $V_{OL} = 0.15\text{ V}$	1.375	2.534	--	mA
		Open Drain NMOS 2X, $V_{OL} = 0.15\text{ V}$	2.750	5.068	--	mA
		Open Drain NMOS Super Drive, $V_{OL} = 0.15\text{ V}$	5.500	10.136	--	mA
T_{SU}	Startup Time	from VDD rising past 1.35 V	--	0.3	--	ms
PON_{THR}	Power On Threshold	V_{DD} Level Required to Start Up the Chip	1.096	1.353	1.528	V
$POFF_{THR}$	Power Off Threshold	V_{DD} Level Required to Switch Off the Chip	0.759	0.933	1.125	V

**5.3 Electrical Characteristics (3.3V ±10% V_{DD})**

Symbol	Parameter	Condition/Note	Min.	Typ.	Max.	Unit
V _{DD}	Supply Voltage		3.0	3.3	3.6	V
T _A	Operating Temperature		-40	25	85	°C
V _{PP}	Programming Voltage		7.25	7.50	7.75	V
V _{IH}	HIGH-Level Input Voltage	Logic Input	1.780	--	--	V
		Logic Input with Schmitt Trigger	2.130	--	--	V
		Low-Level Logic Input	1.130	--	--	V
V _{IL}	LOW-Level Input Voltage	Logic Input	--	--	1.210	V
		Logic Input with Schmitt Trigger	--	--	0.950	V
		Low-Level Logic Input	--	--	0.690	V
I _{IH}	HIGH-Level Input Current	Logic Input Pins; V _{IN} = 3.3 V	-1.0	--	1.0	μA
I _{IL}	LOW-Level Input Current	Logic Input Pins; V _{IN} = 0 V	-1.0	--	1.0	μA
V _{OH}	HIGH-Level Output Voltage	Push-Pull 1X, Open Drain PMOS 1X, I _{OH} = 3 mA	2.735	3.120	--	V
		Push-Pull 2X, Open Drain PMOS 2X, I _{OH} = 3 mA	2.870	3.210	--	V
V _{OL}	LOW-Level Output Voltage	Push-Pull 1X, I _{OL} = 3 mA	--	0.130	0.228	V
		Push-Pull 2X, I _{OL} = 3 mA	--	0.060	0.108	V
		Open Drain NMOS 1X, I _{OL} = 3 mA	--	0.080	0.147	V
		Open Drain NMOS 2X, I _{OL} = 3 mA	--	0.040	0.080	V
		Open Drain NMOS 4X, I _{OL} = 3 mA	--	0.027	0.034	V
I _{OH}	HIGH-Level Output Current	Push-Pull 1X, Open Drain PMOS 1X, V _{OH} = 2.4 V	6.045	12.080	--	mA
		Push-Pull 2X, Open Drain PMOS 2X, V _{OH} = 2.4 V	11.522	24.160	--	mA
I _{OL}	LOW-Level Output Current	Push-Pull 1X, V _{OL} = 0.4 V	4.875	8.244	--	mA
		Push-Pull 2X, V _{OL} = 0.4 V	9.750	16.488	--	mA
		Open Drain NMOS 1X, V _{OL} = 0.4 V	7.313	12.370	--	mA
		Open Drain NMOS 2X, V _{OL} = 0.4 V	14.541	24.740	--	mA
		Open Drain NMOS Super Drive, V _{OL} = 0.4 V	25.801	49.480	--	mA
T _{SU}	Startup Time	from V _{DD} rising past 1.35 V	--	0.3	--	ms
PON _{THR}	Power On Threshold	V _{DD} Level Required to Start Up the Chip	1.096	1.353	1.528	V
POFF _{THR}	Power Off Threshold	V _{DD} Level Required to Switch Off the Chip	0.759	0.933	1.125	V

**5.4 Electrical Characteristics (5 V \pm 10% V_{DD})**

Symbol	Parameter	Condition/Note	Min.	Typ.	Max.	Unit
V_{DD}	Supply Voltage		4.5	5.0	5.5	V
T_A	Operating Temperature		-40	25	85	°C
V_{PP}	Programming Voltage		7.25	7.50	7.75	V
V_{IH}	HIGH-Level Input Voltage	Logic Input	2.640	--	--	V
		Logic Input with Schmitt Trigger	3.160	--	--	V
		Low-Level Logic Input	1.230	--	--	V
V_{IL}	LOW-Level Input Voltage	Logic Input	--	--	1.840	V
		Logic Input with Schmitt Trigger	--	--	1.510	V
		Low-Level Logic Input	--	--	0.780	V
I_{IH}	HIGH-Level Input Current	Logic Input Pins; $V_{IN} = 5$ V	-1.0	--	1.0	μ A
I_{IL}	LOW-Level Input Current	Logic Input Pins; $V_{IN} = 0$ V	-1.0	--	1.0	μ A
V_{OH}	HIGH-Level Output Voltage	Push-Pull 1X, Open Drain PMOS 1X, $I_{OH} = 5$ mA	4.190	4.780	--	V
		Push-Pull 2X, Open Drain PMOS 2X, $I_{OH} = 5$ mA	4.320	4.890	--	V
V_{OL}	LOW-Level Output Voltage	Push-Pull 1X, $I_{OL} = 5$ mA	--	0.157	0.270	V
		Push-Pull 2X, $I_{OL} = 5$ mA	--	0.076	0.130	V
		Open Drain NMOS 1X, $I_{OL} = 5$ mA	--	0.102	0.180	V
		Open Drain NMOS 2X, $I_{OL} = 5$ mA	--	0.051	0.110	V
		Open Drain NMOS 4X, $I_{OL} = 5$ mA	--	0.035	0.045	V
I_{OH}	HIGH-Level Output Current	Push-Pull 1X, Open Drain PMOS 1X, $V_{OH} = 2.4$ V	22.080	34.040	--	mA
		Push-Pull 2X, Open Drain PMOS 2X, $V_{OH} = 2.4$ V	41.690	68.080	--	mA
I_{OL}	LOW-Level Output Current	Push-Pull 1X, $V_{OL} = 0.4$ V	7.215	11.580	--	mA
		Push-Pull 2X, $V_{OL} = 0.4$ V	13.831	23.160	--	mA
		Open Drain NMOS 1X, $V_{OL} = 0.4$ V	10.820	17.380	--	mA
		Open Drain NMOS 2X, $V_{OL} = 0.4$ V	17.343	34.760	--	mA
		Open Drain NMOS Super Drive, $V_{OL} = 0.4$ V	30.964	69.520	--	mA
T_{SU}	Startup Time	from V_{DD} rising past 1.35 V	--	0.3	--	ms
PON_{THR}	Power On Threshold	V_{DD} Level Required to Start Up the Chip	1.096	1.353	1.528	V
$POFF_{THR}$	Power Off Threshold	V_{DD} Level Required to Switch Off the Chip	0.759	0.933	1.125	V



5.5 IDD Estimator

Table 1. Typical Current estimated for each block.

Symbol	Parameter	Note	V _{DD} = 1.8 V	V _{DD} = 3.3V	V _{DD} = 5.0V	Unit
I	Current	Chip Quiescent	0.5	0.8	1.0	μA
		OSC 25 kHz, predivide = 1	3.2	5.1	7.3	μA
		OSC 25 kHz, predivide = 8	3.0	4.4	6.0	μA
		OSC 2 MHz, predivide = 1	38.5	78.2	136.2	μA
		OSC 2 MHz, predivide = 8	18.3	25.7	35.5	μA

5.6 Timing Estimator

Table 2. Typical Delay estimated for each block.

Symbol	Parameter	Note	V _{DD} = 1.8 V		V _{DD} = 3.3V		V _{DD} = 5.0V		Unit
			rising	falling	rising	falling	rising	falling	
tpd	Delay	Digital Input without Schmitt Trigger	42	45	17	19	12	13	ns
tpd	Delay	Digital Input with Schmitt Trigger	42	43	16	17	18	12	ns
tpd	Delay	Low Voltage Digital input	45	428	17	177	12	120	ns
tpd	Delay	Digital input-- PMOS	42	-	17	-	12	-	ns
tpd	Delay	Digital input-- NMOS	-	80	-	27	-	18	ns
tpd	Delay	Output enable from pin, OE Hi-Z to 1	53	-	21	-	15	-	ns
tpd	Delay	Output enable from pin, OE Hi-Z to 0	50	-	20	-	14	-	ns
tpd	Delay	LUT2bit(LATCH)	34	33	14	13	10	9	ns
tpd	Delay	LATCH(LUT2bit)	30	34	14	13	10	9	ns
tpd	Delay	LUT3bit(LATCH)	38	37	18	15	13	10	ns
tpd	Delay	LATCH+nRESET(LUT3bit)	45	42	21	17	15	12	ns
tpd	Delay	LUT4bit	28	33	14	13	10	9	ns
tpd	Delay	LUT2bt	19	26	10	10	7	7	ns
tpd	Delay	LUT3bit	28	34	14	13	10	9	ns
tpd	Delay	CNT/DLY	40	38	18	15	13	11	ns
tpd	Delay	P_DLY1C	380	377	166	163	123	120	ns
tpd	Delay	P_DLY2C	720	718	314	312	233	231	ns
tpd	Delay	P_DLY3C	1061	1060	462	460	343	341	ns
tpd	Delay	P_DLY4C	1396	1400	609	609	451	451	ns
tpd	Delay	Filter	200	200	78	78	53	53	ns
tpd	Delay	ACMP (5mV across inputs)	3000	3000	2000	2000	2000	2000	ns
tw	width	I/O with 1X push pull (min transmitted)	20	20	20	20	20	20	ns
tw	width	filter (min transmitted)	150	150	55	55	35	35	ns

5.7 Typical Counter/Delay Offset Measurements

Table 3. Typical Counter/Delay Offset Measurements.

Parameter	RC OSC Freq	RC OSC Power	V _{DD} = 1.8 V	V _{DD} = 3.3V	V _{DD} = 5.0V	Unit
offset	25kHz	auto	19	14	12	μs
offset	2MHz	auto	7	4	4	μs
frequency settling time	25kHz	auto	19	14	12	μs



Table 3. Typical Counter/Delay Offset Measurements.

Parameter	RC OSC Freq	RC OSC Power	V _{DD} = 1.8 V	V _{DD} = 3.3V	V _{DD} = 5.0V	Unit
frequency settling time	2MHz	auto	14	14	14	μs
variable (CLK period)	25kHz	forced	0-40	0-40	0-40	μs
variable (CLK period)	2MHz	forced	0-0.5	0-0.5	0-0.5	μs
tpd (non-delayed edge)	25kHz/2MHz	either	35	14	10	ns



5.8 Expected Delays and Widths

Table 4. Expected Delays and Widths for Programmable Delay (typical).

Symbol	Parameter	Note	V _{DD} = 1.8 V	V _{DD} = 3.3V	V _{DD} = 5.0V	Unit
time1	Width, 1 cell	mode:(any)edge detect, edge detect output	325	150	110	ns
time1	Width, 2 cell	mode:(any)edge detect, edge detect output	740	300	225	ns
time1	Width, 3 cell	mode:(any)edge detect, edge detect output	1020	450	340	ns
time1	Width, 4 cell	mode:(any)edge detect, edge detect output	1350	600	450	ns
time2	Delay, 1 cell	mode:(any)edge detect, edge detect output	44	18	14	ns
time2	Delay, 2 cell	mode:(any)edge detect, edge detect output	44	18	14	ns
time2	Delay, 3 cell	mode:(any)edge detect, edge detect output	44	18	14	ns
time2	Delay, 4 cell	mode:(any)edge detect, edge detect output	44	18	14	ns
time1	Width, 1 cell	mode: delayed (any)edge detect, delayed edge detect output	340	150	110	ns
time1	Width, 2 cell	mode: delayed (any)edge detect, delayed edge detect output	670	300	220	ns
time1	Width, 3 cell	mode: delayed (any)edge detect, delayed edge detect output	1000	450	335	ns
time1	Width, 4 cell	mode: delayed (any)edge detect, delayed edge detect output	1340	600	450	ns
time2	Delay, 1 cell	mode: delayed (any)edge detect, delayed edge detect output	570	220	140	ns
time2	Delay, 2 cell	mode: delayed (any)edge detect, delayed edge detect output	570	220	140	ns
time2	Delay, 3 cell	mode: delayed (any)edge detect, delayed edge detect output	570	220	140	ns
time2	Delay, 4 cell	mode: delayed (any)edge detect, delayed edge detect output	570	220	140	ns
time2	Delay, 1 cell	mode: both edge delay, edge detect output	382	375	126	ns
time2	Delay, 2 cell	mode: both edge delay, edge detect output	713	169	237	ns
time2	Delay, 3 cell	mode: both edge delay, edge detect output	1045	318	350	ns
time2	Delay, 4 cell	mode: both edge delay, edge detect output	1370	466	460	ns
time2	Delay, 1 cell	mode: both edge delay, delayed edge detect output	900	613	250	ns
time2	Delay, 2 cell	mode: both edge delay, delayed edge detect output	1250	520	360	ns
time2	Delay, 3 cell	mode: both edge delay, delayed edge detect output	1600	680	480	ns
time2	Delay, 4 cell	mode: both edge delay, delayed edge detect output	1900	815	600	ns

5.9 Typical Pulse Width Performance

Table 5. Typical Pulse Width Performance.

Parameter	V _{DD} = 1.8 V	V _{DD} = 3.3V	V _{DD} = 5.0V	Unit
Filtered Pulse Width	< 150	< 55	< 35	ns



6.0 Summary of Macro Cell Function

6.1 I/O Pins

- Digital Input (low voltage or normal voltage, with or without Schmitt Trigger)
- Open Drain Outputs
- Push Pull Outputs
- 10 k Ω /100 k Ω /1 M Ω pull-up/pull-down resistors
- 40mA Open Drain Superdrive output

6.2 Connection Matrix

- Digital matrix for circuit connections based on user design

6.3 Combinational Logic Look Up Tables (LUTs – 15 total)

- Five 2-bit Lookup Tables
- Nine 3-bit Lookup Tables
- One 4-bit Lookup Tables

6.4 Combination Function Macrocell (2 total)

- One Selectable FF/Latch or 2-bit LUT
- One Selectable Pipe Delay or 3-bit LUT

6.5 Delays/Counters (8 total)

- One 14-bit delay/counter: Range 1-16384 clock cycles
- One 14-bit delay/counter with external clock/reset: Range 1-16384 clock cycles
- Four 8-bit delays/counters: Range 1-255 clock cycles
- Two 8-bit delays/counters with external clock/reset: Range 1-255 clock cycles

6.6 Digital Storage Elements (6 total)

- Six D Flip-Flops or Latches

6.7 Pipe Delay (Part of Combination Function Macrocell)

- 16 stage / 3 output
- One 1 stage fixed output
- Two 1-16 stage selectable outputs.

6.8 Programmable Delay

- 125 ns/250 ns/375 ns/500 ns @ 3.3 V
- Includes Edge Detection function

6.9 Additional Logic Functions (2 total)

- Two Deglitch filter macro cells

6.10 RC Oscillator

- 25 kHz and 2 MHz selectable frequency
- First stage divider (4): OSC/1, OSC/2, OSC/4, and OSC/8
- Second stage divider (5): OSC/1, OSC/4, selectable (OSC/8, OSC/12, OSC/24, or OSC/64), OSC/3, and additional OSC/3 (from selectable output)



7.0 I/O Pins

The SLG46722 has a total of 18 multi-function I/O pins which can function as either a user defined Input or Output, as well as serving as a special function (such as outputting the voltage reference), or serving as a signal for programming of the on-chip Non Volatile Memory (NVM).

Normal Mode pin definitions are as follows:

- Pin 2: general purpose input
- Pin 3: general purpose input or output
- Pin 4: general purpose input or output
- Pin 5: general purpose input or output
- Pin 6: general purpose input or output
- Pin 7: general purpose input or output
- Pin 8: general purpose input or output or POR output
- Pin 9: general purpose input or output
- Pin 10: general purpose input or output
- Pin 12: general purpose input or output
- Pin 13: general purpose input or output
- Pin 14: general purpose input or output
- Pin 15: general purpose input or output
- Pin 16: general purpose input or output
- Pin 17: general purpose input or output
- Pin 18: general purpose input or output
- Pin 19: general purpose input or output
- Pin 20: general purpose input or output or external clock

Programming Mode pin definitions are as follows;

- Pin 1: Vdd power supply
- Pin 2: Vpp programming voltage
- Pin 11: ground
- Pin 16: programming mode control
- Pin 17: programming ID pin
- Pin 18: programming SDIO pin
- Pin 19: programming SRDWB pin
- Pin 20: programming SCL pin

Of the 18 user defined I/O pins on the SLG46722, all but one of the pins (Pin 2) can serve as both digital input and digital output. Pin 2 can only serve as a digital input pin.

7.1 Input Modes

Each I/O pin can be configured as a digital input pin with/without buffered Schmitt Trigger, or can also be configured as a low voltage digital input.

7.2 Output Modes

Pins 3, 4, 5, 6, 7, 8, 9, 10, 12, 13, 14, 15, 16, 17, 18, 19 and 20 can all be configured as digital output pins.

7.3 Pull Up/Down Resistors

All I/O pins have the option for user selectable resistors connected to the input structure. The selectable values on these resistors are 10 k Ω , 100 k Ω and 1 M Ω . In the case of Pin 2, the resistors are fixed to a pull-down configuration. In the case of all other I/O pins, the internal resistors can be configured as either pull-up or pull-downs.

7.4 I/O Register Settings
7.4.1 PIN 2 Register Settings
Table 6. PIN 2 Register Settings

Signal Function	Register Bit Address	Register Definition
PIN 2 Mode Control	<845:844>	00: Digital Input without Schmitt Trigger 01: Digital Input with Schmitt Trigger 10: Low Voltage Digital Input 11: Reserved
PIN 2 Pull Down Resistor Value Selection	<847:846>	00: Floating 01: 10 k Ω Resistor 10: 100 k Ω Resistor 11: 1 M Ω Resistor

7.4.2 PIN 3 Register Settings
Table 7. PIN 3 Register Settings

Signal Function	Register Bit Address	Register Definition
PIN 3 Mode Control	<850:848>	000: Digital Input without Schmitt Trigger 001: Digital Input with Schmitt Trigger 010: Low Voltage Digital Input 011: Reserved 100: Push Pull 101: Open Drain NMOS 110: Open Drain PMOS 111: Reserved
PIN 3 Pull Up/Down Resistor Value Selection	<852:851>	00: Floating 01: 10 k Ω Resistor 10: 100 k Ω Resistor 11: 1 M Ω Resistor
PIN 3 Pull Up/Down Resistor Selection	<853>	0: Pull Down Resistor 1: Pull Up Resistor
PIN 3 Driver Strength Selection	<854>	0: 1X 1: 2X



7.4.3 PIN 4 Register Settings

Table 8. PIN 4 Register Settings

Signal Function	Register Bit Address	Register Definition
PIN 4 Mode Control	<857:855>	000: Digital Input without Schmitt Trigger 001: Digital Input with Schmitt Trigger 010: Low Voltage Digital Input 011: Reserved 100: Push Pull 101: Open Drain NMOS 110: Open Drain PMOS 111: Reserved
PIN 4 Pull Up/Down Resistor Value Selection	<859:858>	00: Floating 01: 10 kΩ Resistor 10: 100 kΩ Resistor 11: 1 MΩ Resistor
PIN 4 Pull Up/Down Resistor Selection	<860>	0: Pull Down Resistor 1: Pull Up Resistor
PIN 4 Driver Strength Selection	<861>	0: 1X 1: 2X

7.4.4 PIN 5 Register Settings

Table 9. PIN 5 Register Settings

Signal Function	Register Bit Address	Register Definition
PIN 5 Mode Control	<864:862>	000: Digital Input without Schmitt Trigger 001: Digital Input with Schmitt Trigger 010: Low Voltage Digital Input 011: Reserved 100: Push Pull 101: Open Drain NMOS 110: Open Drain PMOS 111: Reserved
PIN 5 Pull Up/Down Resistor Value Selection	<866:865>	00: Floating 01: 10 kΩ Resistor 10: 100 kΩ Resistor 11: 1 MΩ Resistor
PIN 5 Pull Up/Down Resistor Selection	<867>	0: Pull Down Resistor 1: Pull Up Resistor
PIN 5 Driver Strength Selection	<868>	0: 1X 1: 2X



7.4.5 PIN 6 Register Settings

Table 10. PIN 6 Register Settings

Signal Function	Register Bit Address	Register Definition
PIN 6 Mode Control	<871:869>	000: Digital Input without Schmitt Trigger 001: Digital Input with Schmitt Trigger 010: Low Voltage Digital Input 011: Reserved 100: Push Pull 101: Open Drain NMOS 110: Open Drain PMOS 111: Reserved
PIN 6 Pull Up/Down Resistor Value Selection	<873:872>	00: Floating 01: 10 kΩ Resistor 10: 100 kΩ Resistor 11: 1 MΩ Resistor
PIN 6 Pull Up/Down Resistor Selection	<874>	0: Pull Down Resistor 1: Pull Up Resistor
PIN 6 Driver Strength Selection	<875>	0: 1X 1: 2X

7.4.6 PIN 7 Register Settings

Table 11. PIN 7 Register Settings

Signal Function	Register Bit Address	Register Definition
PIN 7 Mode Control	<878:876>	000: Digital Input without Schmitt Trigger 001: Digital Input with Schmitt Trigger 010: Low Voltage Digital Input 011: Reserved 100: Push Pull 101: Open Drain NMOS 110: Open Drain PMOS 111: Reserved
PIN 7 Pull Up/Down Resistor Value Selection	<880:879>	00: Floating 01: 10 kΩ Resistor 10: 100 kΩ Resistor 11: 1 MΩ Resistor
PIN 7 Pull Up/Down Resistor Selection	<881>	0: Pull Down Resistor 1: Pull Up Resistor
PIN 7 Driver Strength Selection	<882>	0: 1X 1: 2X

7.4.7 PIN 8 Register Settings
Table 12. PIN 8 Register Settings

Signal Function	Register Bit Address	Register Definition
PIN 8 Mode Control	<885:883>	000: Digital Input without Schmitt Trigger 001: Digital Input with Schmitt Trigger 010: Low Voltage Digital Input 011: Reserved 100: Push Pull 101: Open Drain NMOS 110: Open Drain PMOS 111: Reserved
PIN 8 Pull Up/Down Resistor Value Selection	<887:886>	00: Floating 01: 10 k Ω Resistor 10: 100 k Ω Resistor 11: 1 M Ω Resistor
PIN 8 Pull Up/Down Resistor Selection	<888>	0: Pull Down Resistor 1: Pull Up Resistor
PIN 8 Driver Strength Selection	<889>	0: 1X 1: 2X

7.4.8 PIN 9 Register Settings
Table 13. PIN 9 Register Settings

Signal Function	Register Bit Address	Register Definition
PIN 9 Mode Control	<892:890>	000: Digital Input without Schmitt Trigger 001: Digital Input with Schmitt Trigger 010: Low Voltage Digital Input 011: Reserved 100: Push Pull 101: Open Drain NMOS 110: Open Drain PMOS 111: Reserved
PIN 9 Pull Up/Down Resistor Value Selection	<894:893>	00: Floating 01: 10 k Ω Resistor 10: 100 k Ω Resistor 11: 1 M Ω Resistor
PIN 9 Pull Up/Down Resistor Selection	<895>	0: Pull Down Resistor 1: Pull Up Resistor
PIN 9 Driver Strength Selection	<896>	0: 1X 1: 2X

7.4.9 PIN 10 Register Settings
Table 14. PIN 10 Register Settings

Signal Function	Register Bit Address	Register Definition
PIN 10 Mode Control	<899:897>	000: Digital Input without Schmitt Trigger 001: Digital Input with Schmitt Trigger 010: Low Voltage Digital Input 011: Reserved 100: Push Pull 101: Open Drain NMOS 110: Open Drain PMOS 111: Reserved
PIN 10 Pull Up/Down Resistor Value Selection	<901:900>	00: Floating 01: 10 kΩ Resistor 10: 100 kΩ Resistor 11: 1 MΩ Resistor
PIN 10 Pull Up/Down Resistor Selection	<902>	0: Pull Down Resistor 1: Pull Up Resistor
PIN 10 Driver Strength Selection	<903>	0: 1X 1: 2X
PIN 10 Super Drive (4X, NMOS Open Drain) Selection	<904>	0: Super Drive Off 1: Super Drive On (if <897:899> = '101')

7.4.10 PIN 12 Register Settings
Table 15. PIN 12 Register Settings

Signal Function	Register Bit Address	Register Definition
PIN 12 Mode Control	<907:905>	000: Digital Input without Schmitt Trigger 001: Digital Input with Schmitt Trigger 010: Low Voltage Digital Input 011: Reserved 100: Push Pull 101: Open Drain NMOS 110: Open Drain PMOS 111: Reserved
PIN 12 Pull Up/Down Resistor Value Selection	<909:908>	00: Floating 01: 10 kΩ Resistor 10: 100 kΩ Resistor 11: 1 MΩ Resistor
PIN 12 Pull Up/Down Resistor Selection	<910>	0: Pull Down Resistor 1: Pull Up Resistor
PIN 12 Driver Strength Selection	<911>	0: 1X 1: 2X
PIN 12 Super Drive (4X, NMOS Open Drain) Selection	<912>	0: Super Drive Off 1: Super Drive On (if <907:905> = '101')



7.4.11 PIN 13 Register Settings

Table 16. PIN 13 Register Settings

Signal Function	Register Bit Address	Register Definition
PIN 13 Mode Control	<915:913>	000: Digital Input without Schmitt Trigger 001: Digital Input with Schmitt Trigger 010: Low Voltage Digital Input 011: Reserved 100: Push Pull 101: Open Drain NMOS 110: Open Drain PMOS 111: Reserved
PIN 13 Pull Up/Down Resistor Value Selection	<917:916>	00: Floating 01: 10 kΩ Resistor 10: 100 kΩ Resistor 11: 1 MΩ Resistor
PIN 13 Pull Up/Down Resistor Selection	<918>	0: Pull Down Resistor 1: Pull Up Resistor
PIN 13 Driver Strength Selection	<919>	0: 1X 1: 2X

7.4.12 PIN 14 Register Settings

Table 17. PIN 14 Register Settings

Signal Function	Register Bit Address	Register Definition
PIN 14 Mode Control	<922:920>	000: Digital Input without Schmitt Trigger 001: Digital Input with Schmitt Trigger 010: Low Voltage Digital Input 011: Reserved 100: Push Pull 101: Open Drain NMOS 110: Open Drain PMOS 111: Reserved
PIN 14 Pull Up/Down Resistor Value Selection	<924:923>	00: Floating 01: 10 kΩ Resistor 10: 100 kΩ Resistor 11: 1 MΩ Resistor
PIN 14 Pull Up/Down Resistor Selection	<925>	0: Pull Down Resistor 1: Pull Up Resistor
PIN 14 Driver Strength Selection	<926>	0: 1X 1: 2X



7.4.13 PIN 15 Register Settings

Table 18. PIN 15 Register Settings

Signal Function	Register Bit Address	Register Definition
PIN 15 Mode Control	<929:927>	000: Digital Input without Schmitt Trigger 001: Digital Input with Schmitt Trigger 010: Low Voltage Digital Input 011: Reserved 100: Push Pull 101: Open Drain NMOS 110: Open Drain PMOS 111: Reserved
PIN 15 Pull Up/Down Resistor Value Selection	<931:930>	00: Floating 01: 10 kΩ Resistor 10: 100 kΩ Resistor 11: 1 MΩ Resistor
PIN 15 Pull Up/Down Resistor Selection	<932>	0: Pull Down Resistor 1: Pull Up Resistor
PIN 15 Driver Strength Selection	<933>	0: 1X 1: 2X

7.4.14 PIN 16 Register Settings

Table 19. PIN 16 Register Settings

Signal Function	Register Bit Address	Register Definition
PIN 16 Mode Control	<936:934>	000: Digital Input without Schmitt Trigger 001: Digital Input with Schmitt Trigger 010: Low Voltage Digital Input 011: Reserved 100: Push Pull 101: Open Drain NMOS 110: Open Drain PMOS 111: Reserved
PIN 16 Pull Up/Down Resistor Value Selection	<938:937>	00: Floating 01: 10 kΩ Resistor 10: 100 kΩ Resistor 11: 1 MΩ Resistor
PIN 16 Pull Up/Down Resistor Selection	<939>	0: Pull Down Resistor 1: Pull Up Resistor
PIN 16 Driver Strength Selection	<940>	0: 1X 1: 2X



7.4.15 PIN 17 Register Settings

Table 20. PIN 17 Register Settings

Signal Function	Register Bit Address	Register Definition
PIN 17 Mode Control	<943:941>	000: Digital Input without Schmitt Trigger 001: Digital Input with Schmitt Trigger 010: Low Voltage Digital Input 011: Reserved 100: Push Pull 101: Open Drain NMOS 110: Open Drain PMOS 111: Reserved
PIN 17 Pull Up/Down Resistor Value Selection	<945:944>	00: Floating 01: 10 kΩ Resistor 10: 100 kΩ Resistor 11: 1 MΩ Resistor
PIN 17 Pull Up/Down Resistor Selection	<946>	0: Pull Down Resistor 1: Pull Up Resistor
PIN 17 Driver Strength Selection	<947>	0: 1X 1: 2X

7.4.16 PIN 18 Register Settings

Table 21. PIN 18 Register Settings

Signal Function	Register Bit Address	Register Definition
PIN 18 Mode Control	<950:948>	000: Digital Input without Schmitt Trigger 001: Digital Input with Schmitt Trigger 010: Low Voltage Digital Input 011: Reserved 100: Push Pull 101: Open Drain NMOS 110: Open Drain PMOS 111: Reserved
PIN 18 Pull Up/Down Resistor Value Selection	<952:951>	00: Floating 01: 10 kΩ Resistor 10: 100 kΩ Resistor 11: 1 MΩ Resistor
PIN 18 Pull Up/Down Resistor Selection	<953>	0: Pull Down Resistor 1: Pull Up Resistor
PIN 18 Driver Strength Selection	<954>	0: 1X 1: 2X



7.4.17 PIN 19 Register Settings

Table 22. PIN 19 Register Settings

Signal Function	Register Bit Address	Register Definition
PIN 19 Mode Control	<957:955>	000: Digital Input without Schmitt Trigger 001: Digital Input with Schmitt Trigger 010: Low Voltage Digital Input 011: Reserved 100: Push Pull 101: Open Drain NMOS 110: Open Drain PMOS 111: Reserved
PIN 19 Pull Up/Down Resistor Value Selection	<959:958>	00: Floating 01: 10 kΩ Resistor 10: 100 kΩ Resistor 11: 1 MΩ Resistor
PIN 19 Pull Up/Down Resistor Selection	<960>	0: Pull Down Resistor 1: Pull Up Resistor
PIN 19 Driver Strength Selection	<961>	0: 1X 1: 2X

7.4.18 PIN 20 Register Settings

Table 23. PIN 20 Register Settings

Signal Function	Register Bit Address	Register Definition
PIN 20 Mode Control	<964:962>	000: Digital Input without Schmitt Trigger 001: Digital Input with Schmitt Trigger 010: Low Voltage Digital Input 011: Reserved 100: Push Pull 101: Open Drain NMOS 110: Open Drain PMOS 111: Reserved
PIN 20 Pull Up/Down Resistor Value Selection	<966:965>	00: Floating 01: 10 kΩ Resistor 10: 100 kΩ Resistor 11: 1 MΩ Resistor
PIN 20 Pull Up/Down Resistor Selection	<967>	0: Pull Down Resistor 1: Pull Up Resistor
PIN 20 Driver Strength Selection	<968>	0: 1X 1: 2X



7.5 GPI IO Structure

7.5.1 GPI IO Structure (for Pin 2)

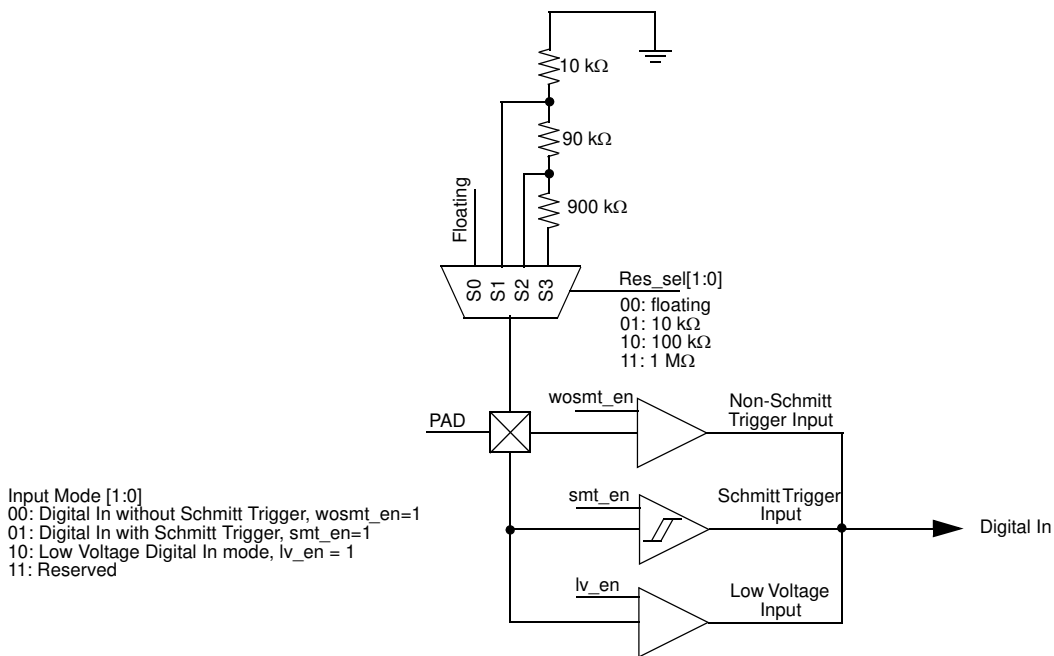


Figure 2. PIN 2 GPI IO Structure Diagram



7.6 Register OE IO Structure

7.6.1 Register OE IO Structure (for Pins 3, 4, 5, 6, 7, 8, 9, 13, 14, 15, 16, 17, 18, 19, 20)

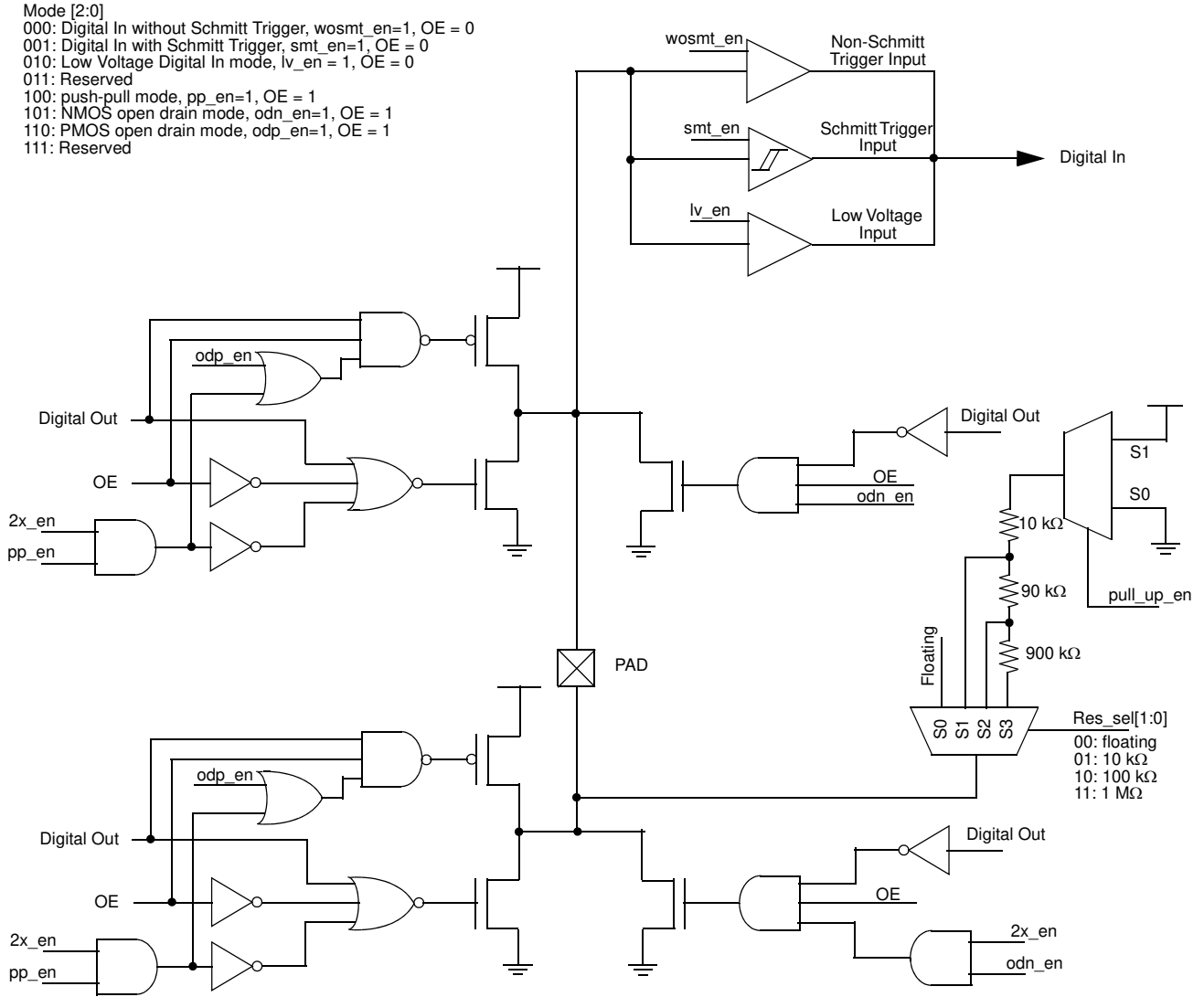


Figure 3. Register OE IO Structure Diagram