



Chipsmall Limited consists of a professional team with an average of over 10 year of expertise in the distribution of electronic components. Based in Hongkong, we have already established firm and mutual-benefit business relationships with customers from,Europe,America and south Asia,supplying obsolete and hard-to-find components to meet their specific needs.

With the principle of "Quality Parts,Customers Priority,Honest Operation,and Considerate Service",our business mainly focus on the distribution of electronic components. Line cards we deal with include Microchip,ALPS,ROHM,Xilinx,Pulse,ON,Everlight and Freescale. Main products comprise IC,Modules,Potentiometer,IC Socket,Relay,Connector.Our parts cover such applications as commercial,industrial, and automotives areas.

We are looking forward to setting up business relationship with you and hope to provide you with the best service and solution. Let us make a better world for our industry!



Contact us

Tel: +86-755-8981 8866 Fax: +86-755-8427 6832

Email & Skype: info@chipsmall.com Web: www.chipsmall.com

Address: A1208, Overseas Decoration Building, #122 Zhenhua RD., Futian, Shenzhen, China



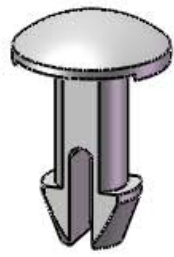


FIG 1.
SLP100 SERIES

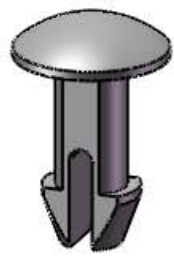


FIG 2.
SLP-1-100 SERIES



FIG 3.
SLP-2-100 SERIES

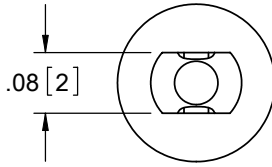
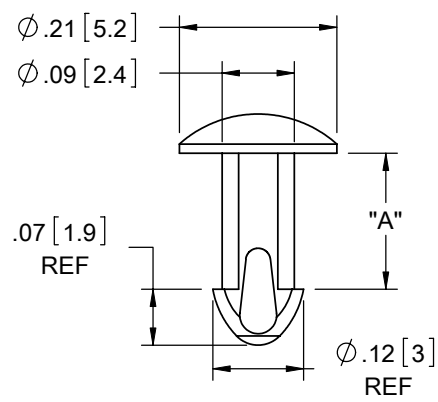
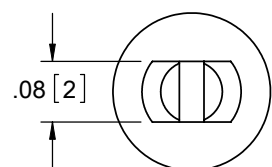
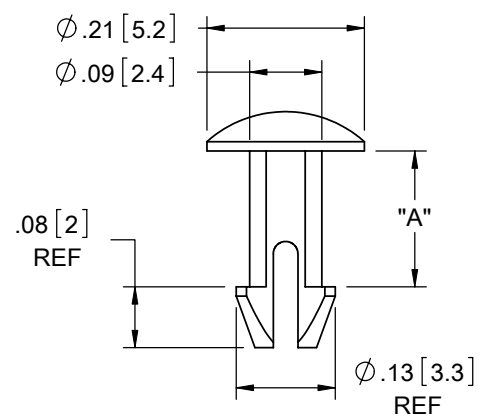
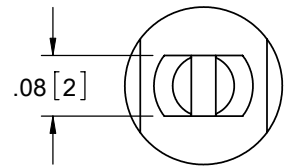
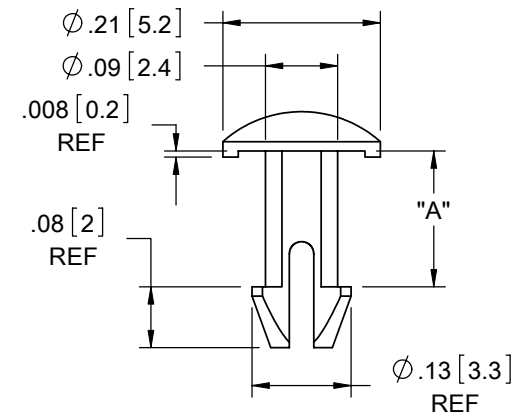


FIG 1	FIG 2	*FIG 3	DIM. "A"±.015
SLP100-177-01	SLP-1-100-177-01	SLP-2-100-177-01	.177 [4.5]
SLP100-221-01	SLP-1-100-221-01	SLP-2-100-221-01	.220 [5.6]
SLP100-236-01	SLP-1-100-236-01	SLP-2-100-236-01	.236 [6]
SLP100-245-01	SLP-1-100-245-01	SLP-2-100-245-01	.245 [6.2]
SLP100-307-01	SLP-1-100-307-01	SLP-2-100-307-01	.307 [7.8]
SLP100-316-01	SLP-1-100-316-01	SLP-2-100-316-01	.316 [8]
SLP100-330-01	SLP-1-100-330-01	SLP-2-100-330-01	.330 [8.4]
SLP100-413-01	SLP-1-100-413-01	SLP-2-100-413-01	.413 [10.5]
SLP100-638-01	SLP-1-100-638-01	SLP-2-100-638-01	.638 [16.2]
SLP100-660-01	SLP-1-100-660-01	SLP-2-100-660-01	.660 [16.8]
SLP100-701-01	SLP-1-100-701-01	SLP-2-100-701-01	.701 [17.8]

*PARTS AVAILABLE BY SPECIAL ORDER ONLY.

NOTES:

- MATERIAL: NYLON 6/6 UL 94 V-2 (RMS-01).
-NYLON 6/6 UL 94 V-0 (RMS-19) AVAILABLE BY SPECIAL ORDER.
TO ORDER REPLACE "-01" WITH "-19".
- COLOR: NATURAL.
- ALL PARTS TO SNAP-LOCK IN A $.098 \pm .002 [2.5 \pm 0.05]$ DIA. HOLE.

B	SEE CO 200083 FOR CHANGES	SK	12/06/07
A	RELEASED FOR PRODUCTION, CO 200066	SK	11/19/07
REV.	DESCRIPTION	ENGR.	DATE

TITLE: SNAP- LOCK PINS							
CREATED USING SOLIDWORKS	FILE #: SLPX	DWN: SK	APP: R.T.	FINAL			
TOLERANCES UNLESS NOTED .XX=±.010 .XXX=±.005 FRAC.=±1/64 ANG.=±1°	SHEET: 1 OF 1	SHEET SIZE: B	DT: 11/15/07	CHKD: D.Z.	PART #		PRINT TYPE
RE: RICHCO, INC.		RICHCO, INC. ENG@RICHCO-INC.COM (773) 539-4060		SEE TABLE		CA	