



Chipsmall Limited consists of a professional team with an average of over 10 year of expertise in the distribution of electronic components. Based in Hongkong, we have already established firm and mutual-benefit business relationships with customers from,Europe,America and south Asia,supplying obsolete and hard-to-find components to meet their specific needs.

With the principle of "Quality Parts,Customers Priority,Honest Operation,and Considerate Service",our business mainly focus on the distribution of electronic components. Line cards we deal with include Microchip,ALPS,ROHM,Xilinx,Pulse,ON,Everlight and Freescale. Main products comprise IC,Modules,Potentiometer,IC Socket,Relay,Connector.Our parts cover such applications as commercial,industrial, and automotives areas.

We are looking forward to setting up business relationship with you and hope to provide you with the best service and solution. Let us make a better world for our industry!



Contact us

Tel: +86-755-8981 8866 Fax: +86-755-8427 6832

Email & Skype: info@chipsmall.com Web: www.chipsmall.com

Address: A1208, Overseas Decoration Building, #122 Zhenhua RD., Futian, Shenzhen, China



Amphenol Industrial



SurLok Plus Series

Company Profile



Amphenol Industrial Operations

Amphenol Industrial Operations (AIO), a division of the Amphenol Corporation, is a prominent manufacturer of cylindrical connectors known around the world. Amphenol Industrial's product lines consist of rectangular, standard miniature, fiber optic, EMI/EMP filter, and a variety of special application connectors.

Manufacturing connectors since 1932, we take pride that Amphenol Industrial Operations is the undisputed leader in interconnect systems for harsh environment applications. Innovations like our RADSOK® contact technology can provide roughly 50% more current through the same size pin. Connectors utilizing this RADSOK® technology will outperform similar products in the market hands down.

The Sidney, NY facility, nestled at the foothills of the Catskill Mountains, is over 307,000 square feet. This complex houses over 1000+employees incorporating state-of-the-art manufacturing technologies. The facility is both ISO9001 certified and qualified to MIL-STD-790 requirements.



Amphenol Technology (Zhuhai) Co., Ltd.

Established in 2007, Amphenol Technology (Zhuhai) Co., Ltd. is a manufacturing facility for Amphenol Industrial Operations, which serves a number of industrial markets, included but not limited to Factory Automation, Transportation, Heavy Equipment, Alternative Energy, Energy Storage, Server/Data Comm and Power Distribution.

Amphenol Technology (Zhuhai) Co., Ltd. covers an area of 28470m² and is equipped with CNC, plating, injection molding and assembly workshops. This plant specializes in the design and manufacturing of industrial connectors featuring high power, high density, medium to high voltage electrical properties, and harsh environment applications.

With industry leading engineering, design and manufacturing expertise, Amphenol Technology (Zhuhai) Co., Ltd. has earned more than 30 utility patents on its innovative interconnects. Many of the products produced have been certified by independent standards including UL, IEC/TUV, ATEX, IECEx and MA. The facility is also certified to ISO 9001, ISO 14001 and IATF 16949.

What is SurLok Plus™?



The SurLok Plus™ compression lug is a field installable, high reliable alternative to common compression lugs. Using industry standard crimp, screw, and busbar termination options, thus eliminating the need to purchase special torque tools.

Amphenol's SurLok Plus™ is an environmentally sealed version of our original SurLok but available in smaller sizes, and features a quick lock and press-to-release design. Incorporating the latest R4 RADSOK® Technology, SurLok Plus™ is a compact, quick mating, and robust product line.

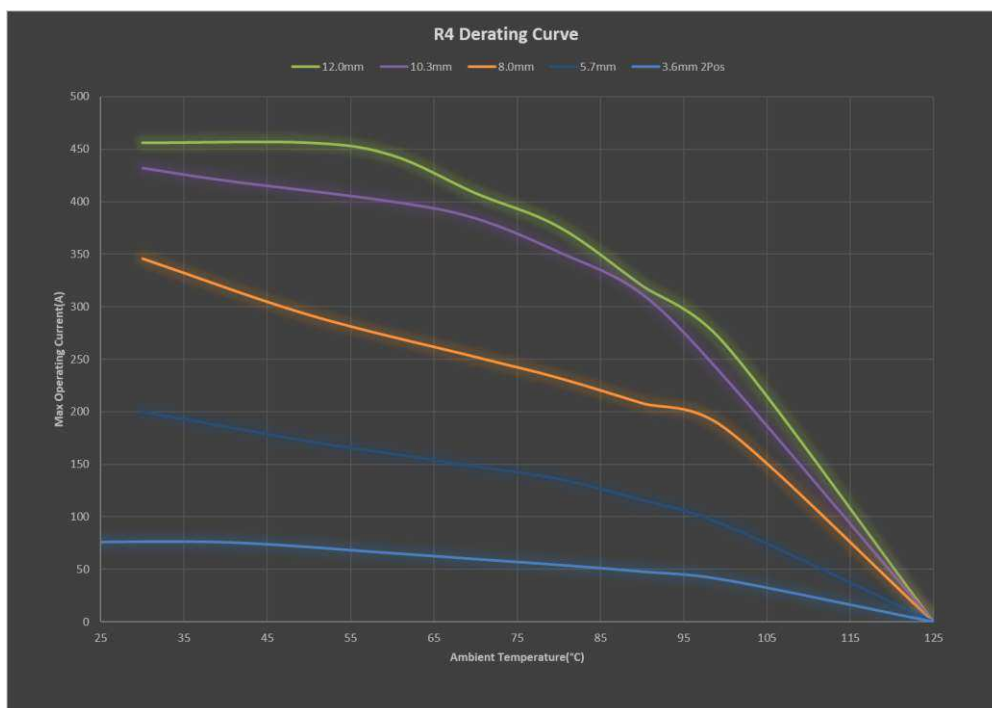
The RADSOK® high amperage contact technology utilizes high tensile strength properties of a stamped and formed, high conductivity alloy grid to produce low insertion forces while maintaining a large conductive surface area.

The R4 version of the RADSOK® represents the culmination of three years of research and development in laser welding copper based alloys.

Features and Benefits

- **R4 RADSOK® Technology**
- **IP67 Rated**
- **Touch Proof**
- **Quick lock and press-to-release design**
- **“Keyway” design to prevent incorrect mating**
- **360° rotating plug**
- **Various termination options (Threaded, Crimp, Busbar)**
- **Compact robust design**

Technical Data			
Contact Size	5.7mm(120A) 8.0mm(200A) 10.3mm(350A)	IP Rating	IP67
Current Rating	100A~350A (up to 400A)	Protection	Touch Proof
Operating Voltage	1000VAC/DC	Flammability	UL 94 V-0
Operating Temp	-40°C to 125°C	Locking	Spring Locking



Markets

The markets and applications for the SurLok Plus series include but are not limited to the following:

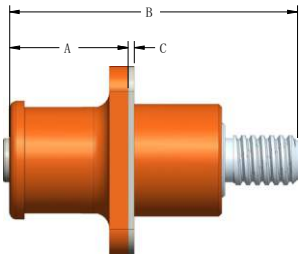
- **EV/HEV**
- **BMS/Energy Storage**
- **Rail Mass Transition**
- **Process Control/Automation**
- **Medical**
- **Heavy Equipment**



Product Dimensions

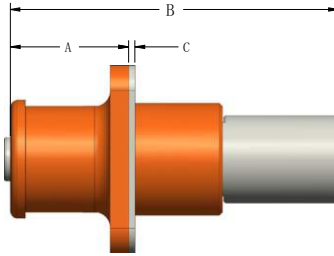
Contact Termination

Screw Termination



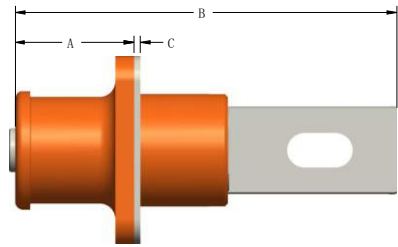
Size	Screw Termination		
	A	B	C
5.7mm	16.5	36.7	1.0
8.0mm	19.0	46.1	1.0
10.3mm	25.8	55.5	0.3

Crimp Termination



Size	Crimp Termination		
	A	B	C
5.7mm	16.5	40.7	1.0
8.0mm	19.0	52.7	1.0
10.3mm	25.8	50mm ² : 65.8	0.3
		70mm ² : 68.8	
		85mm ² : 71.8	

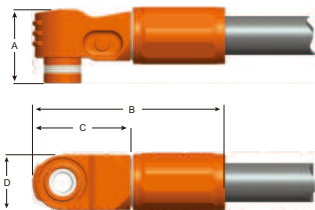
Busbar Termination



Size	Busbar Termination		
	A	B	C
5.7mm	16.5	46.7	1.0
8.0mm	19.0	61.2	1.0
10.3mm	25.8	68.8	0.3

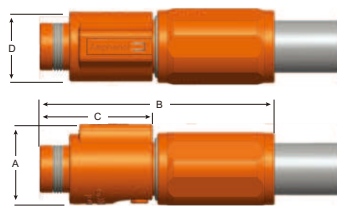
Shell Type

Right Angle Plug



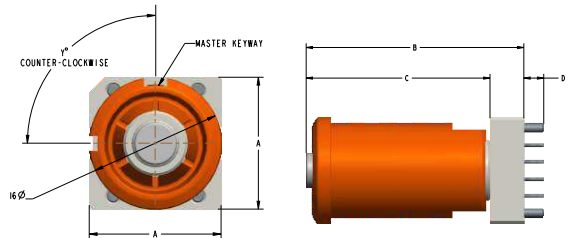
Size	Plug Dimension			
	A	B	C	D
5.7mm	22.6	55.1	30.0	18.0
8.0mm	29.0	74.5	38.4	21.6
10.3mm	41.2	84.5	42.5	28.0

Straight Plug



Size	Plug Dimension			
	A	B	C	D
8.0mm	24.45	72.4	34.8	21.4

Straight Receptacle



Size	Press-Fit Termination			
	A	B	C	D
5.7mm	16.0	32.8	27.7	3.0

SurLok Plus™ EMI Version (8.0mm)

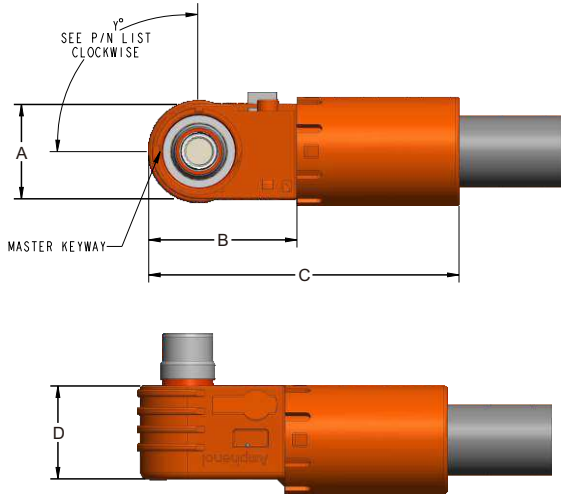


Features and Benefits

- **EMI shielding**
- **HVIL function**
- **Secondary locking system**
- **Flammability: UL 94 V-0**
- **Wide amperage range: 150A~250A**
- **RoHS compliant**

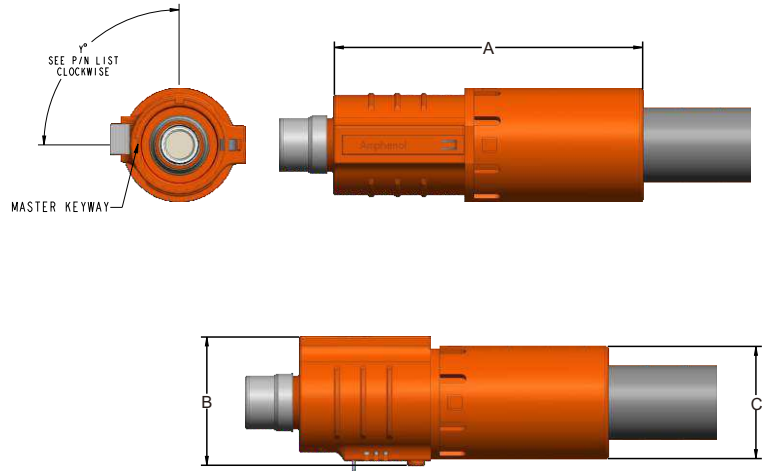
Product Dimensions

Right Angle Plug



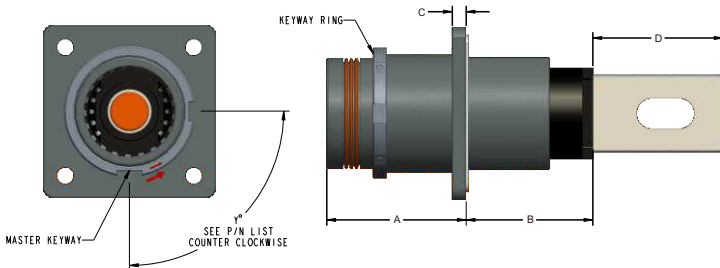
Size	Plug Dimension			
	A	B	C	D
8.0mm	26.2	41.2	86.2	25.8

Straight Plug



Size	Plug Dimension		
	A	B	C
8.0mm	82.5	34.3	30.0

Receptacle



Size	Receptacle Dimension			
	A	B	C	D
8.0mm	25.15	22.85	2.5	23.5

Ordering Information

SurLok Plus 5.7mm

Product Series: SurLok Plus™	Plug		RADSOK® Size	Applicable Cable Size		Backshells		Sealing		Connector Color		Keyway (Omit for no Keyway)		
SLP	P	Right Angle Plug 90°	A	5.7mm	16	16mm² : 100 Amps	B	W/ Backshells	S	IP67 Sealed (W/ Grommet & O-Rings)	O	Orange	0	90°
											B		Black	1
					25	25mm² : 120 Amps	N	W/O Backshells (For Overmolding Only)	N	Non-Sealed	R	Red		2
											3		120°	
											4		150°	

Product Series: SurLok Plus™	Receptacle		RADSOK® Size	*Applicable Cable Size (for Crimping Termination only)		Termination Style		Panel Mount		Sealing		Connector Color		Keyway (Omit for no Keyway)		
SLP	R	Receptacle W/O Keyway	A	5.7mm	16	16mm² : 100 Amps	B	Busbar	P	Panel Mount W/ Flange	S	IP67 Sealed (W/ Grommet & O-Rings)	O	Orange	0	90°
							T						Threaded Post		B	Black
	IR	Receptacle W/Keyway			25	25mm² : 120 Amps	C	Crimp	N	W/O Flange	N	Non-Sealed		R	Red	
													3	120°		
													4	150°		

SurLok Plus 8.0mm

Product Series: SurLok Plus™	Plug		RADSOK® Size	Applicable Cable Size		Backshells		Sealing		Connector Color		Keyway (Omit for no keyway)		
SLP	P	Right Angle Plug 90°	B	8.0mm	35	35mm² : 150Amps	B	W/Backshells	S	IP67 Sealed (W/Grommet & O-Rings)	O	Orange	0	90°
											B		Black	1
	IP	Straight Plug			50	50mm² : 200Amps	N	W/O Backshells (For Overmolding Only)	N	Non-Sealed	R	Red		2
											3		120°	
											4		150°	

Product Series: SurLok Plus™	Receptacle		RADSOK® Size	*Applicable Cable Size (for Crimping Termination only)		Termination Style		Panel Mount		Sealing		Connector Color		Keyway (Omit for no keyway)		
SLP	R	Receptacle W/O Keyway	B	8.0mm	35	35mm² : 150Amps	B	Busbar	P	Panel Mount W/ Flange	S	IP67 Sealed (W/Grommet & O-Rings)	O	Orange	0	90°
							T						Threaded Post		B	Black
	IR	Receptacle W/Keyway			50	50mm² : 200Amps	C	Crimp	N	W/ Flange	N	Non-Sealed		R	Red	
													3	120°		
													4	150°		

Ordering Information

SurLok Plus 10.3mm

Product Series: SurLokPlus™	Plug		RADSOK® Size	Applicable Cable Size		Backshells		Sealing		Connector Color		Keyway		
SLP	P	Right Angle Plug 90°	C	10.3mm	50	50mm² : 200Amps	B	W/ Backshells	S	IP67 Sealed (W/ Grommet & O-Rings)	O	Orange	0	90°
					70	70mm² : 250Amps							N	W/O Backshells (For Overmolding Only)
					85	85mm² : 300Amps	2	60°						
						95mm² : 350Amps	3	120°						
					4	150°								

Product Series: SurLokPlus™	Receptacle		RADSOK® Size	*Applicable Cable Size (for Crimping Termination only)		Termination Style		Panel Mount		Sealing		Connector Color		Keyway		
SLP	IR	Receptacle W/Keyway	C	10.3mm	50	50mm² : 200Amps	B	Busbar	P	Panel Mount W/ Flange	S	IP67 Sealed (W/Grommet & O-Rings)	O	Orange	0	90°
					70	70mm² : 250Amps	T	Threaded Post							N	W/O Flange
					85	85mm² : 300Amps	C	Crimp	2	60°						
						95mm² : 350Amps			3	120°						
					4	150°										

SurLok Plus 8.0mm with EMI

Product Series: SurLok Plus™	Plug		RADSOK® Size	Applicable Cable Size		Backshells		Sealing		Connector Color		Keyway		EMI	HVIL (Optional)			
SLP	P	Right Angle Plug 90°	B	8.0mm	35	35mm² : 150Amps	B	W/ Backshells	S	IP67 Sealed (W/ Grommet & O-Rings)	O	Orange	0	90°	E	EMI	H	HVIL
					50	50mm² : 200Amps							N	W/O Backshells (For Overmolding Only)				
	IP	Straight Plug			70	70mm² : 250Amps	2	60°										
					3	120°												
4	150°																	

Product Series: SurLok Plus™	Receptacle		RADSOK® Size	Termination Style		Panel Mount		Sealing		Connector Color		Keyway		EMI	HVIL (Optional)			
SLP	R	Receptacle W/O Keyway	B	8.0mm	B	Busbar	P	Panel Mount W/ Flange	S	IP67 Sealed (W/ Grommet & O-Rings)	O	Orange	0	90°	E	EMI	H	HVIL
													1	270°				
	IR	Receptacle W/Keyway					N	Non-Sealed	R	Red	2	60°						
											3	120°						
4	150°																	

SurLok Plus Selection Chart

SurLok Plus™ Plugs		
AMPHENOL CATALOG PN	AMPHENOL MANUFACTURING PN	DESCRIPTION
SLP IP B 35 B S O 0	C10-731951-000	8.0MM SURLOK PLUS STRAIGHT PLUG FOR 35MM2 SEALED WITH 90° KEYWAY - ORANGE
SLP IP B 35 B S B 0	C10-731951-100	8.0MM SURLOK PLUS STRAIGHT PLUG FOR 35MM2 SEALED WITH 90° KEYWAY - BLACK
SLP IP B 35 B S R 0	C10-731951-200	8.0MM SURLOK PLUS STRAIGHT PLUG FOR 35MM2 SEALED WITH 90° KEYWAY - RED
SLP IP B 35 B S O 1	C10-731951-001	8.0MM SURLOK PLUS STRAIGHT PLUG FOR 35MM2 SEALED WITH 180° KEYWAY - ORANGE
SLP IP B 35 B S B 1	C10-731951-101	8.0MM SURLOK PLUS STRAIGHT PLUG FOR 35MM2 SEALED WITH 180° KEYWAY - BLACK
SLP IP B 35 B S R 1	C10-731951-201	8.0MM SURLOK PLUS STRAIGHT PLUG FOR 35MM2 SEALED WITH 180° KEYWAY - RED
SLP IP B 35B S O 2	C10-731951-002	8.0MM SURLOK PLUS STRAIGHT PLUG FOR 35MM2 SEALED WITH 60° KEYWAY - ORANGE
SLP IP B 35 B S B 2	C10-731951-102	8.0MM SURLOK PLUS STRAIGHT PLUG FOR 35MM2 SEALED WITH 60° KEYWAY - BLACK
SLP IP B35 B S R 2	C10-731951-202	8.0MM SURLOK PLUS STRAIGHT PLUG FOR 35MM2 SEALED WITH 60° KEYWAY - RED
SLP IP B 35B S O 3	C10-731951-003	8.0MM SURLOK PLUS STRAIGHT PLUG FOR 35MM2 SEALED WITH 120° KEYWAY - ORANGE
SLP IP B 35 B S B 3	C10-731951-103	8.0MM SURLOK PLUS STRAIGHT PLUG FOR 35MM2 SEALED WITH 120° KEYWAY - BLACK
SLP IP B 35 B S R3	C10-731951-203	8.0MM SURLOK PLUS STRAIGHT PLUG FOR 35MM2 SEALED WITH 120° KEYWAY - RED
SLP IP B 35 B S O 4	C10-731951-004	8.0MM SURLOK PLUS STRAIGHT PLUG FOR 35MM2 SEALED WITH 150° KEYWAY - ORANGE
SLP IP B 35B S B 4	C10-731951-104	8.0MM SURLOK PLUS STRAIGHT PLUG FOR 35MM2 SEALED WITH 150° KEYWAY - BLACK
SLP IP B 35 B S R4	C10-731951-204	8.0MM SURLOK PLUS STRAIGHT PLUG FOR 35MM2 SEALED WITH 150° KEYWAY - RED
SLP IP B 50 B S O 0	C10-731951-010	8.0MM SURLOK PLUS STRAIGHT PLUG FOR 50MM2 SEALED WITH 90° KEYWAY - ORANGE
SLP IP B 50 B S B 0	C10-731951-110	8.0MM SURLOK PLUS STRAIGHT PLUG FOR 50MM2 SEALED WITH 90° KEYWAY - BLACK
SLP IP B 50 B S R 0	C10-731951-210	8.0MM SURLOK PLUS STRAIGHT PLUG FOR 50MM2 SEALED WITH 90° KEYWAY - RED
SLP IP B 50 B S O 1	C10-731951-011	8.0MM SURLOK PLUS STRAIGHT PLUG FOR 50MM2 SEALED WITH 180° KEYWAY - ORANGE
SLP IP B 50 B S B 1	C10-731951-111	8.0MM SURLOK PLUS STRAIGHT PLUG FOR 50MM2 SEALED WITH 180° KEYWAY - BLACK
SLP IP B 50 B S R 1	C10-731951-211	8.0MM SURLOK PLUS STRAIGHT PLUG FOR 50MM2 SEALED WITH 180° KEYWAY - RED
SLP IP B 50 B S O 2	C10-731951-012	8.0MM SURLOK PLUS STRAIGHT PLUG FOR 50MM2 SEALED WITH 60° KEYWAY - ORANGE
SLP IP B 50 B S B 2	C10-731951-112	8.0MM SURLOK PLUS STRAIGHT PLUG FOR 50MM2 SEALED WITH 60° KEYWAY - BLACK
SLP IP B 50 B S R 2	C10-731951-212	8.0MM SURLOK PLUS STRAIGHT PLUG FOR 50MM2 SEALED WITH 60° KEYWAY - RED
SLP IP B 50 B S O 3	C10-731951-013	8.0MM SURLOK PLUS STRAIGHT PLUG FOR 50MM2 SEALED WITH 120° KEYWAY - ORANGE
SLP IP B 50 B S B 3	C10-731951-113	8.0MM SURLOK PLUS STRAIGHT PLUG FOR 50MM2 SEALED WITH 120° KEYWAY - BLACK
SLP IP B 50 B S R3	C10-731951-213	8.0MM SURLOK PLUS STRAIGHT PLUG FOR 50MM2 SEALED WITH 120° KEYWAY - RED
SLP IP B 50 B S O 4	C10-731951-014	8.0MM SURLOK PLUS STRAIGHT PLUG FOR 50MM2 SEALED WITH 150° KEYWAY - ORANGE
SLP IP B 50 B S B 4	C10-731951-114	8.0MM SURLOK PLUS STRAIGHT PLUG FOR 50MM2 SEALED WITH 150° KEYWAY - BLACK
SLP IP B 50 B S R4	C10-731951-214	8.0MM SURLOK PLUS STRAIGHT PLUG FOR 50MM2 SEALED WITH 150° KEYWAY - RED
SLP P B 35 B S O	C10-730188-030	8.0MM SURLOK PLUS R/A PLUG FOR 35MM2 SEALED ORANGE
SLP P B 35 B S B	C10-730188-130	8.0MM SURLOK PLUS R/A PLUG FOR 35MM2 SEALED BLACK
SLP P B 35 B S R	C10-730188-230	8.0MM SURLOK PLUS R/A PLUG FOR 35MM2 SEALED RED
SLP P B 50 B S O	C10-730188-000	8.0MM SURLOK PLUS R/A PLUG FOR 50MM2 SEALED ORANGE
SLP P B 50 B S B	C10-730188-100	8.0MM SURLOK PLUS R/A PLUG FOR 50MM2 SEALED BLACK
SLP P B 50 B S R	C10-730188-200	8.0MM SURLOK PLUS R/A PLUG FOR 50MM2 SEALED RED
SLP P B 35 B S O0	C10-730188-0300	8.0MM SURLOK PLUS R/A PLUG FOR 35MM2 SEALED , 90° Keyway - ORANGE
SLP P B 35 B S B0	C10-730188-1300	8.0MM SURLOK PLUS R/A PLUG FOR 35MM2 SEALED , 90° Keyway - BLACK
SLP P B 35 B S R0	C10-730188-2300	8.0MM SURLOK PLUS R/A PLUG FOR 35MM2 SEALED , 90° Keyway - RED
SLP P B 50 B S O0	C10-730188-0000	8.0MM SURLOK PLUS R/A PLUG FOR 50MM2 SEALED , 90° Keyway - ORANGE
SLP P B 50 B S B0	C10-730188-1000	8.0MM SURLOK PLUS R/A PLUG FOR 50MM2 SEALED , 90° Keyway - BLACK
SLP P B 50 B S R0	C10-730188-2000	8.0MM SURLOK PLUS R/A PLUG FOR 50MM2 SEALED , 90° Keyway - RED
SLP P B 35 B S O1	C10-730188-0301	8.0MM SURLOK PLUS R/A PLUG FOR 35MM2 SEALED , 180° Keyway - ORANGE
SLP P B 35 B S B1	C10-730188-1301	8.0MM SURLOK PLUS R/A PLUG FOR 35MM2 SEALED , 180° Keyway - BLACK
SLP P B 35 B S R1	C10-730188-2301	8.0MM SURLOK PLUS R/A PLUG FOR 35MM2 SEALED , 180° Keyway - RED
SLP P B 50 B S O1	C10-730188-0001	8.0MM SURLOK PLUS R/A PLUG FOR 50MM2 SEALED , 180° Keyway - ORANGE
SLP P B 50 B S B1	C10-730188-1001	8.0MM SURLOK PLUS R/A PLUG FOR 50MM2 SEALED , 180° Keyway - BLACK
SLP P B 50 B S R1	C10-730188-2001	8.0MM SURLOK PLUS R/A PLUG FOR 50MM2 SEALED , 180° Keyway - RED
SLP P B 35 B S O2	C10-730188-0302	8.0MM SURLOK PLUS R/A PLUG FOR 35MM2 SEALED , 60° Keyway - ORANGE
SLP P B 35 B S B2	C10-730188-1302	8.0MM SURLOK PLUS R/A PLUG FOR 35MM2 SEALED , 60° Keyway - BLACK
SLP P B 35 B S R2	C10-730188-2302	8.0MM SURLOK PLUS R/A PLUG FOR 35MM2 SEALED , 60° Keyway - RED
SLP P B 50 B S O2	C10-730188-0002	8.0MM SURLOK PLUS R/A PLUG FOR 50MM2 SEALED , 60° Keyway - ORANGE
SLP P B 50 B S B2	C10-730188-1002	8.0MM SURLOK PLUS R/A PLUG FOR 50MM2 SEALED , 60° Keyway - BLACK
SLP P B 50 B S R2	C10-730188-2002	8.0MM SURLOK PLUS R/A PLUG FOR 50MM2 SEALED , 60° Keyway - RED
SLP P B 35 B S O3	C10-730188-0303	8.0MM SURLOK PLUS R/A PLUG FOR 35MM2 SEALED , 120° Keyway - ORANGE
SLP P B 35 B S B3	C10-730188-1303	8.0MM SURLOK PLUS R/A PLUG FOR 35MM2 SEALED , 120° Keyway - BLACK
SLP P B 35 B S R3	C10-730188-2303	8.0MM SURLOK PLUS R/A PLUG FOR 35MM2 SEALED , 120° Keyway - RED
SLP P B 50 B S O3	C10-730188-0003	8.0MM SURLOK PLUS R/A PLUG FOR 50MM2 SEALED , 120° Keyway - ORANGE
SLP P B 50 B S B3	C10-730188-1003	8.0MM SURLOK PLUS R/A PLUG FOR 50MM2 SEALED , 120° Keyway - BLACK
SLP P B 50 B S R3	C10-730188-2003	8.0MM SURLOK PLUS R/A PLUG FOR 50MM2 SEALED , 120° Keyway - RED
SLP P B 35 B S O4	C10-730188-0304	8.0MM SURLOK PLUS R/A PLUG FOR 35MM2 SEALED , 150° Keyway - ORANGE
SLP P B 35 B S B4	C10-730188-1304	8.0MM SURLOK PLUS R/A PLUG FOR 35MM2 SEALED , 150° Keyway - BLACK
SLP P B 35 B S R4	C10-730188-2304	8.0MM SURLOK PLUS R/A PLUG FOR 35MM2 SEALED , 150° Keyway - RED
SLP P B 50 B S O4	C10-730188-0004	8.0MM SURLOK PLUS R/A PLUG FOR 50MM2 SEALED , 150° Keyway - ORANGE
SLP P B 50 B S B4	C10-730188-1004	8.0MM SURLOK PLUS R/A PLUG FOR 50MM2 SEALED , 150° Keyway - BLACK
SLP P B 50 B S R4	C10-730188-2004	8.0MM SURLOK PLUS R/A PLUG FOR 50MM2 SEALED , 150° Keyway - RED
SLP P A 16 B S O	C10-730186-030	5.7MM SURLOK PLUS R/A PLUG FOR 16MM2 SEALED ORANGE
SLP P A 16 B S B	C10-730186-130	5.7MM SURLOK PLUS R/A PLUG FOR 16MM2 SEALED BLACK
SLP P A 16 B S R	C10-730186-230	5.7MM SURLOK PLUS R/A PLUG FOR 16MM2 SEALED RED

SurLok Plus Selection Chart

SurLok Plus™ Plugs		
AMPHENOL CATALOG PN	AMPHENOL MANUFACTURING PN	DESCRIPTION
SLP P A 25 B S 0	C10-730186-000	5.7MM SURLOK PLUS R/A PLUG FOR 25MM2 SEALED ORANGE
SLP P A 25 B S B	C10-730186-100	5.7MM SURLOK PLUS R/A PLUG FOR 25MM2 SEALED BLACK
SLP P A 25 B S R	C10-730186-200	5.7MM SURLOK PLUS R/A PLUG FOR 25MM2 SEALED RED
SLP P A 16 B S 00	C10-730186-0300	5.7MM SURLOK PLUS R/A PLUG FOR 16MM2 SEALED, 90° Keyway - ORANGE
SLP P A 16 B S B0	C10-730186-1300	5.7MM SURLOK PLUS R/A PLUG FOR 16MM2 SEALED, 90° Keyway - BLACK
SLP P A 16 B S R0	C10-730186-2300	5.7MM SURLOK PLUS R/A PLUG FOR 16MM2 SEALED, 90° Keyway - RED
SLP P A 25 B S 00	C10-730186-0000	5.7MM SURLOK PLUS R/A PLUG FOR 25MM2 SEALED, 90° Keyway - ORANGE
SLP P A 25 B S B0	C10-730186-1000	5.7MM SURLOK PLUS R/A PLUG FOR 25MM2 SEALED, 90° Keyway - BLACK
SLP P A 25 B S R0	C10-730186-2000	5.7MM SURLOK PLUS R/A PLUG FOR 25MM2 SEALED, 90° Keyway - RED
SLP P A 16 B S 01	C10-730186-0301	5.7MM SURLOK PLUS R/A PLUG FOR 16MM2 SEALED, 180° Keyway - ORANGE
SLP P A 16 B S B1	C10-730186-1301	5.7MM SURLOK PLUS R/A PLUG FOR 16MM2 SEALED, 180° Keyway - BLACK
SLP P A 16 B S R1	C10-730186-2301	5.7MM SURLOK PLUS R/A PLUG FOR 16MM2 SEALED, 180° Keyway - RED
SLP P A 25 B S 01	C10-730186-0001	5.7MM SURLOK PLUS R/A PLUG FOR 25MM2 SEALED, 180° Keyway - ORANGE
SLP P A 25 B S B1	C10-730186-1001	5.7MM SURLOK PLUS R/A PLUG FOR 25MM2 SEALED, 180° Keyway - BLACK
SLP P A 25 B S R1	C10-730186-2001	5.7MM SURLOK PLUS R/A PLUG FOR 25MM2 SEALED, 180° Keyway - RED
SLP P A 16 B S 02	C10-730186-0302	5.7MM SURLOK PLUS R/A PLUG FOR 16MM2 SEALED, 60° Keyway - ORANGE
SLP P A 16 B S B2	C10-730186-1302	5.7MM SURLOK PLUS R/A PLUG FOR 16MM2 SEALED, 60° Keyway - BLACK
SLP P A 16 B S R2	C10-730186-2302	5.7MM SURLOK PLUS R/A PLUG FOR 16MM2 SEALED, 60° Keyway - RED
SLP P A 25 B S 02	C10-730186-0002	5.7MM SURLOK PLUS R/A PLUG FOR 25MM2 SEALED, 60° Keyway - ORANGE
SLP P A 25 B S B2	C10-730186-1002	5.7MM SURLOK PLUS R/A PLUG FOR 25MM2 SEALED, 60° Keyway - BLACK
SLP P A 25 B S R2	C10-730186-2002	5.7MM SURLOK PLUS R/A PLUG FOR 25MM2 SEALED, 60° Keyway - RED
SLP P A 16 B S 03	C10-730186-0303	5.7MM SURLOK PLUS R/A PLUG FOR 16MM2 SEALED, 120° Keyway - ORANGE
SLP P A 16 B S B3	C10-730186-1303	5.7MM SURLOK PLUS R/A PLUG FOR 16MM2 SEALED, 120° Keyway - BLACK
SLP P A 16 B S R3	C10-730186-2303	5.7MM SURLOK PLUS R/A PLUG FOR 16MM2 SEALED, 120° Keyway - RED
SLP P A 25 B S 03	C10-730186-0003	5.7MM SURLOK PLUS R/A PLUG FOR 25MM2 SEALED, 120° Keyway - ORANGE
SLP P A 25 B S B3	C10-730186-1003	5.7MM SURLOK PLUS R/A PLUG FOR 25MM2 SEALED, 120° Keyway - BLACK
SLP P A 25 B S R3	C10-730186-2003	5.7MM SURLOK PLUS R/A PLUG FOR 25MM2 SEALED, 120° Keyway - RED
SLP P A 16 B S 04	C10-730186-0304	5.7MM SURLOK PLUS R/A PLUG FOR 16MM2 SEALED, 150° Keyway - ORANGE
SLP P A 16 B S B4	C10-730186-1304	5.7MM SURLOK PLUS R/A PLUG FOR 16MM2 SEALED, 150° Keyway - BLACK
SLP P A 16 B S R4	C10-730186-2304	5.7MM SURLOK PLUS R/A PLUG FOR 16MM2 SEALED, 150° Keyway - RED
SLP P A 25 B S 04	C10-730186-0004	5.7MM SURLOK PLUS R/A PLUG FOR 25MM2 SEALED, 150° Keyway - ORANGE
SLP P A 25 B S B4	C10-730186-1004	5.7MM SURLOK PLUS R/A PLUG FOR 25MM2 SEALED, 150° Keyway - BLACK
SLP P A 25 B S R4	C10-730186-2004	5.7MM SURLOK PLUS R/A PLUG FOR 25MM2 SEALED, 150° Keyway - RED
SLP P C 85 B S 0 0	C10-730190-0800	10.3MM SURLOK PLUS R/A PLUG FOR 85MM2 SEALED 90° KEYWAY - ORANGE
SLP P C 85 B S B 0	C10-730190-1800	10.3MM SURLOK PLUS R/A PLUG FOR 85MM2 SEALED 90° KEYWAY - BLACK
SLP P C 85 B S R 0	C10-730190-2800	10.3MM SURLOK PLUS R/A PLUG FOR 85MM2 SEALED 90° KEYWAY - RED
SLP P C 70 B S 0 0	C10-730190-0700	10.3MM SURLOK PLUS R/A PLUG FOR 70MM2 SEALED 90° KEYWAY - ORANGE
SLP P C 70 B S B 0	C10-730190-1700	10.3MM SURLOK PLUS R/A PLUG FOR 70MM2 SEALED 90° KEYWAY - BLACK
SLP P C 70 B S R 0	C10-730190-2700	10.3MM SURLOK PLUS R/A PLUG FOR 70MM2 SEALED 90° KEYWAY - RED
SLP P C 50 B S 0 0	C10-730190-0500	10.3MM SURLOK PLUS R/A PLUG FOR 50MM2 SEALED 90° KEYWAY - ORANGE
SLP P C 50 B S B 0	C10-730190-1500	10.3MM SURLOK PLUS R/A PLUG FOR 50MM2 SEALED 90° KEYWAY - BLACK
SLP P C 50 B S R 0	C10-730190-2500	10.3MM SURLOK PLUS R/A PLUG FOR 50MM2 SEALED 90° KEYWAY - RED

SurLok Plus™ Receptacles		
AMPHENOL CATALOG PN	AMPHENOL MANUFACTURING PN	DESCRIPTION
SLP R B T P S 0	C10-730189-020	8.0MM SURLOK PLUS RECEPTACLE PANEL MOUNT SEALED WITH SCREW THREAD - ORANGE
SLP R B T P S B	C10-730189-120	8.0MM SURLOK PLUS RECEPTACLE PANEL MOUNT SEALED WITH SCREW THREAD - BLACK
SLP R B T P S R	C10-730189-220	8.0MM SURLOK PLUS RECEPTACLE PANEL MOUNT SEALED WITH SCREW THREAD - RED
SLP R B B P S 0	C10-730189-010	8.0MM SURLOK PLUS RECEPTACLE PANEL MOUNT SEALED WITH FLAT BUSBAR - ORANGE
SLP R B B P S B	C10-730189-110	8.0MM SURLOK PLUS RECEPTACLE PANEL MOUNT WITH FLAT BUSBAR - BLACK
SLP R B B P S R	C10-730189-210	8.0MM SURLOK PLUS RECEPTACLE PANEL MOUNT SEALED WITH FLAT BUSBAR - RED
SLP R B 35 C P S 0	C10-730189-030	8.0MM SURLOK PLUS RECEPTACLE PANEL MOUNT SEALED CRIMP FOR 35MM2 - ORANGE
SLP R B 35 C P S B	C10-730189-130	8.0MM SURLOK PLUS RECEPTACLE PANEL MOUNT SEALED CRIMP FOR 35MM2 - BLACK
SLP R B 35 C P S R	C10-730189-230	8.0MM SURLOK PLUS RECEPTACLE PANEL MOUNT SEALED CRIMP FOR 35MM2 - RED
SLP R B 50 C P S 0	C10-730189-000	8.0MM SURLOK PLUS RECEPTACLE PANEL MOUNT SEALED CRIMP FOR 50MM2 - ORANGE
SLP R B 50 C P S B	C10-730189-100	8.0MM SURLOK PLUS RECEPTACLE PANEL MOUNT SEALED CRIMP FOR 50MM2 - BLACK
SLP R B 50 C P S R	C10-730189-200	8.0MM SURLOK PLUS RECEPTACLE PANEL MOUNT SEALED CRIMP FOR 50MM2 - RED
SLP IR B B P S 0 0	C10-731950-010	8.0MM SURLOK PLUS RECEPTACLE PANEL MOUNT SEALED WITH 90°KEYWAY WITH FLAT BUSBAR - ORANGE
SLP IR B T P S 0 0	C10-731950-020	8.0MM SURLOK PLUS RECEPTACLE PANEL MOUNT SEALED WITH 90°KEYWAY WITH SCREW THREAD - ORANGE
SLP IR B 35 C P S 0 0	C10-731950-030	8.0MM SURLOK PLUS RECEPTACLE PANEL MOUNT SEALED WITH 90°KEYWAY CRIMP FOR 35MM2 - ORANGE
SLP IR B 50 C P S 0 0	C10-731950-000	8.0MM SURLOK PLUS RECEPTACLE PANEL MOUNT SEALED WITH 90°KEYWAY CRIMP FOR 50MM2 - ORANGE
SLP IR B B P S 0 1	C10-731950-011	8.0MM SURLOK PLUS RECEPTACLE PANEL MOUNT SEALED WITH 180°KEYWAY WITH FLAT BUSBAR - ORANGE
SLP IR B T P S 0 1	C10-731950-021	8.0MM SURLOK PLUS RECEPTACLE PANEL MOUNT SEALED WITH 180°KEYWAY WITH SCREW THREAD - ORANGE
SLP IR B 35 C P S 0 1	C10-731950-031	8.0MM SURLOK PLUS RECEPTACLE PANEL MOUNT SEALED WITH 180°KEYWAY CRIMP FOR 35MM2 - ORANGE
SLP IR B 50 C P S 0 1	C10-731950-001	8.0MM SURLOK PLUS RECEPTACLE PANEL MOUNT SEALED WITH 180°KEYWAY CRIMP FOR 50MM2 - ORANGE
SLP IR B B P S 0 2	C10-731950-012	8.0MM SURLOK PLUS RECEPTACLE PANEL MOUNT SEALED WITH 60°KEYWAY WITH FLAT BUSBAR - ORANGE
SLP IR B T P S 0 2	C10-731950-022	8.0MM SURLOK PLUS RECEPTACLE PANEL MOUNT SEALED WITH 60°KEYWAY WITH SCREW THREAD - ORANGE
SLP IR B 35 C P S 0 2	C10-731950-032	8.0MM SURLOK PLUS RECEPTACLE PANEL MOUNT SEALED WITH 60°KEYWAY CRIMP FOR 35MM2 - ORANGE
SLP IR B 50 C P S 0 2	C10-731950-002	8.0MM SURLOK PLUS RECEPTACLE PANEL MOUNT SEALED WITH 60°KEYWAY CRIMP FOR 50MM2 - ORANGE

SurLok Plus Selection Chart

SurLok Plus™ EMI Version		
AMPHENOL CATALOG PN	AMPHENOL MANUFACTURING PN	DESCRIPTION
SLPPB70BS00EH	C10-738728-1700	Surlok plus 8.0mm right angle Plug with EMI and HVIL, 70mm2, 90° Keyway - Orange
SLPPB70BS01EH	C10-738728-1701	Surlok plus 8.0mm right angle Plug with EMI and HVIL, 70mm2, 270° Keyway - Orange
SLPPB70BS02EH	C10-738728-1702	Surlok plus 8.0mm right angle Plug with EMI and HVIL, 70mm2, 60° Keyway - Orange
SLPPB70BS03EH	C10-738728-1703	Surlok plus 8.0mm right angle Plug with EMI and HVIL, 70mm2, 120° Keyway - Orange
SLPPB70BS04EH	C10-738728-1704	Surlok plus 8.0mm right angle Plug with EMI and HVIL, 70mm2, 150° Keyway - Orange
SLPPB70BSB0EH	C10-738728-2700	Surlok plus 8.0mm right angle Plug with EMI and HVIL, 70mm2, 90° Keyway - Black
SLPPB70BSB1EH	C10-738728-2701	Surlok plus 8.0mm right angle Plug with EMI and HVIL, 70mm2, 270° Keyway - Black
SLPPB70BSB2EH	C10-738728-2702	Surlok plus 8.0mm right angle Plug with EMI and HVIL, 70mm2, 60° Keyway - Black
SLPPB70BSB3EH	C10-738728-2703	Surlok plus 8.0mm right angle Plug with EMI and HVIL, 70mm2, 120° Keyway - Black
SLPPB70BSB4EH	C10-738728-2704	Surlok plus 8.0mm right angle Plug with EMI and HVIL, 70mm2, 150° Keyway - Black
SLPPB70BSR0EH	C10-738728-3700	Surlok plus 8.0mm right angle Plug with EMI and HVIL, 70mm2, 90° Keyway - Red
SLPPB70BSR1EH	C10-738728-3701	Surlok plus 8.0mm right angle Plug with EMI and HVIL, 70mm2, 270° Keyway - Red
SLPPB70BSR2EH	C10-738728-3702	Surlok plus 8.0mm right angle Plug with EMI and HVIL, 70mm2, 60° Keyway - Red
SLPPB70BSR3EH	C10-738728-3703	Surlok plus 8.0mm right angle Plug with EMI and HVIL, 70mm2, 120° Keyway - Red
SLPPB70BSR4EH	C10-738728-3704	Surlok plus 8.0mm right angle Plug with EMI and HVIL, 70mm2, 150° Keyway - Red
SLPPB50BS00EH	C10-738728-1500	Surlok plus 8.0mm right angle Plug with EMI and HVIL, 50mm2, 90° Keyway - Orange
SLPPB50BS01EH	C10-738728-1501	Surlok plus 8.0mm right angle Plug with EMI and HVIL, 50mm2, 270° Keyway - Orange
SLPPB50BS02EH	C10-738728-1502	Surlok plus 8.0mm right angle Plug with EMI and HVIL, 50mm2, 60° Keyway - Orange
SLPPB50BS03EH	C10-738728-1503	Surlok plus 8.0mm right angle Plug with EMI and HVIL, 50mm2, 120° Keyway - Orange
SLPPB50BS04EH	C10-738728-1504	Surlok plus 8.0mm right angle Plug with EMI and HVIL, 50mm2, 150° Keyway - Orange
SLPPB50BSB0EH	C10-738728-2500	Surlok plus 8.0mm right angle Plug with EMI and HVIL, 50mm2, 90° Keyway - Black
SLPPB50BSB1EH	C10-738728-2501	Surlok plus 8.0mm right angle Plug with EMI and HVIL, 50mm2, 270° Keyway - Black
SLPPB50BSB2EH	C10-738728-2502	Surlok plus 8.0mm right angle Plug with EMI and HVIL, 50mm2, 60° Keyway - Black
SLPPB50BSB3EH	C10-738728-2503	Surlok plus 8.0mm right angle Plug with EMI and HVIL, 50mm2, 120° Keyway - Black
SLPPB50BSB4EH	C10-738728-2504	Surlok plus 8.0mm right angle Plug with EMI and HVIL, 50mm2, 150° Keyway - Black
SLPPB50BSR0EH	C10-738728-3500	Surlok plus 8.0mm right angle Plug with EMI and HVIL, 50mm2, 90° Keyway - Red
SLPPB50BSR1EH	C10-738728-3501	Surlok plus 8.0mm right angle Plug with EMI and HVIL, 50mm2, 270° Keyway - Red
SLPPB50BSR2EH	C10-738728-3502	Surlok plus 8.0mm right angle Plug with EMI and HVIL, 50mm2, 60° Keyway - Red
SLPPB50BSR3EH	C10-738728-3503	Surlok plus 8.0mm right angle Plug with EMI and HVIL, 50mm2, 120° Keyway - Red
SLPPB50BSR4EH	C10-738728-3504	Surlok plus 8.0mm right angle Plug with EMI and HVIL, 50mm2, 150° Keyway - Red
SLPPB35BS00EH	C10-738728-1300	Surlok plus 8.0mm right angle Plug with EMI and HVIL, 35mm2, 90° Keyway - Orange
SLPPB35BS01EH	C10-738728-1301	Surlok plus 8.0mm right angle Plug with EMI and HVIL, 35mm2, 270° Keyway - Orange
SLPPB35BS02EH	C10-738728-1302	Surlok plus 8.0mm right angle Plug with EMI and HVIL, 35mm2, 60° Keyway - Orange
SLPPB35BS03EH	C10-738728-1303	Surlok plus 8.0mm right angle Plug with EMI and HVIL, 35mm2, 120° Keyway - Orange
SLPPB35BS04EH	C10-738728-1304	Surlok plus 8.0mm right angle Plug with EMI and HVIL, 35mm2, 150° Keyway - Orange
SLPPB35BSB0EH	C10-738728-2300	Surlok plus 8.0mm right angle Plug with EMI and HVIL, 35mm2, 90° Keyway - Black
SLPPB35BSB1EH	C10-738728-2301	Surlok plus 8.0mm right angle Plug with EMI and HVIL, 35mm2, 270° Keyway - Black
SLPPB35BSB2EH	C10-738728-2302	Surlok plus 8.0mm right angle Plug with EMI and HVIL, 35mm2, 60° Keyway - Black
SLPPB35BSB3EH	C10-738728-2303	Surlok plus 8.0mm right angle Plug with EMI and HVIL, 35mm2, 120° Keyway - Black
SLPPB35BSB4EH	C10-738728-2304	Surlok plus 8.0mm right angle Plug with EMI and HVIL, 35mm2, 150° Keyway - Black
SLPPB35BSR0EH	C10-738728-3300	Surlok plus 8.0mm right angle Plug with EMI and HVIL, 35mm2, 90° Keyway - Red
SLPPB35BSR1EH	C10-738728-3301	Surlok plus 8.0mm right angle Plug with EMI and HVIL, 35mm2, 270° Keyway - Red
SLPPB35BSR2EH	C10-738728-3302	Surlok plus 8.0mm right angle Plug with EMI and HVIL, 35mm2, 60° Keyway - Red
SLPPB35BSR3EH	C10-738728-3303	Surlok plus 8.0mm right angle Plug with EMI and HVIL, 35mm2, 120° Keyway - Red
SLPPB35BSR4EH	C10-738728-3304	Surlok plus 8.0mm right angle Plug with EMI and HVIL, 35mm2, 150° Keyway - Red
SLPIP70BS00EH	C10-738727-1700	Surlok plus 8.0mm Straight Plug with EMI and HVIL, 70mm2, 90° Keyway - Orange
SLPIP70BS01EH	C10-738727-1701	Surlok plus 8.0mm Straight Plug with EMI and HVIL, 70mm2, 270° Keyway - Orange
SLPIP70BS02EH	C10-738727-1702	Surlok plus 8.0mm Straight Plug with EMI and HVIL, 70mm2, 60° Keyway - Orange
SLPIP70BS03EH	C10-738727-1703	Surlok plus 8.0mm Straight Plug with EMI and HVIL, 70mm2, 120° Keyway - Orange
SLPIP70BS04EH	C10-738727-1704	Surlok plus 8.0mm Straight Plug with EMI and HVIL, 70mm2, 150° Keyway - Orange
SLPIP70BSB0EH	C10-738727-2700	Surlok plus 8.0mm Straight Plug with EMI and HVIL, 70mm2, 90° Keyway - Black
SLPIP70BSB1EH	C10-738727-2701	Surlok plus 8.0mm Straight Plug with EMI and HVIL, 70mm2, 270° Keyway - Black
SLPIP70BSB2EH	C10-738727-2702	Surlok plus 8.0mm Straight Plug with EMI and HVIL, 70mm2, 60° Keyway - Black
SLPIP70BSB3EH	C10-738727-2703	Surlok plus 8.0mm Straight Plug with EMI and HVIL, 70mm2, 120° Keyway - Black
SLPIP70BSB4EH	C10-738727-2704	Surlok plus 8.0mm Straight Plug with EMI and HVIL, 70mm2, 150° Keyway - Black
SLPIP70BSR0EH	C10-738727-3700	Surlok plus 8.0mm Straight Plug with EMI and HVIL, 70mm2, 90° Keyway - Red
SLPIP70BSR1EH	C10-738727-3701	Surlok plus 8.0mm Straight Plug with EMI and HVIL, 70mm2, 270° Keyway - Red

SurLok Plus Selection Chart

SurLok Plus™ EMI Version		
AMPHENOL CATALOG PN	AMPHENOL MANUFACTURING PN	DESCRIPTION
SLPIP70BSR2EH	C10-738727-3702	Surlok plus 8.0mm Straight Plug with EMI and HVIL, 70mm2, 60° Keyway - Red
SLPIP70BSR3EH	C10-738727-3703	Surlok plus 8.0mm Straight Plug with EMI and HVIL, 70mm2, 120° Keyway - Red
SLPIP70BSR4EH	C10-738727-3704	Surlok plus 8.0mm Straight Plug with EMI and HVIL, 70mm2, 150° Keyway - Red
SLPIP50BS00EH	C10-738727-1500	Surlok plus 8.0mm Straight Plug with EMI and HVIL, 50mm2, 90° Keyway - Orange
SLPIP50BS01EH	C10-738727-1501	Surlok plus 8.0mm Straight Plug with EMI and HVIL, 50mm2, 270° Keyway - Orange
SLPIP50BS02EH	C10-738727-1502	Surlok plus 8.0mm Straight Plug with EMI and HVIL, 50mm2, 60° Keyway - Orange
SLPIP50BS03EH	C10-738727-1503	Surlok plus 8.0mm Straight Plug with EMI and HVIL, 50mm2, 120° Keyway - Orange
SLPIP50BS04EH	C10-738727-1504	Surlok plus 8.0mm Straight Plug with EMI and HVIL, 50mm2, 150° Keyway - Orange
SLPIP50BSB0EH	C10-738727-2500	Surlok plus 8.0mm Straight Plug with EMI and HVIL, 50mm2, 90° Keyway - Black
SLPIP50BSB1EH	C10-738727-2501	Surlok plus 8.0mm Straight Plug with EMI and HVIL, 50mm2, 270° Keyway - Black
SLPIP50BSB2EH	C10-738727-2502	Surlok plus 8.0mm Straight Plug with EMI and HVIL, 50mm2, 60° Keyway - Black
SLPIP50BSB3EH	C10-738727-2503	Surlok plus 8.0mm Straight Plug with EMI and HVIL, 50mm2, 120° Keyway - Black
SLPIP50BSB4EH	C10-738727-2504	Surlok plus 8.0mm Straight Plug with EMI and HVIL, 50mm2, 150° Keyway - Black
SLPIP50BSR0EH	C10-738727-3500	Surlok plus 8.0mm Straight Plug with EMI and HVIL, 50mm2, 90° Keyway - Red
SLPIP50BSR1EH	C10-738727-3501	Surlok plus 8.0mm Straight Plug with EMI and HVIL, 50mm2, 270° Keyway - Red
SLPIP50BSR2EH	C10-738727-3502	Surlok plus 8.0mm Straight Plug with EMI and HVIL, 50mm2, 60° Keyway - Red
SLPIP50BSR3EH	C10-738727-3503	Surlok plus 8.0mm Straight Plug with EMI and HVIL, 50mm2, 120° Keyway - Red
SLPIP50BSR4EH	C10-738727-3504	Surlok plus 8.0mm Straight Plug with EMI and HVIL, 50mm2, 150° Keyway - Red
SLPIP35BS00EH	C10-738727-1300	Surlok plus 8.0mm Straight Plug with EMI and HVIL, 35mm2, 90° Keyway - Orange
SLPIP35BS01EH	C10-738727-1301	Surlok plus 8.0mm Straight Plug with EMI and HVIL, 35mm2, 270° Keyway - Orange
SLPIP35BS02EH	C10-738727-1302	Surlok plus 8.0mm Straight Plug with EMI and HVIL, 35mm2, 60° Keyway - Orange
SLPIP35BS03EH	C10-738727-1303	Surlok plus 8.0mm Straight Plug with EMI and HVIL, 35mm2, 120° Keyway - Orange
SLPIP35BS04EH	C10-738727-1304	Surlok plus 8.0mm Straight Plug with EMI and HVIL, 35mm2, 150° Keyway - Orange
SLPIP35BSB0EH	C10-738727-2300	Surlok plus 8.0mm Straight Plug with EMI and HVIL, 35mm2, 90° Keyway - Black
SLPIP35BSB1EH	C10-738727-2301	Surlok plus 8.0mm Straight Plug with EMI and HVIL, 35mm2, 270° Keyway - Black
SLPIP35BSB2EH	C10-738727-2302	Surlok plus 8.0mm Straight Plug with EMI and HVIL, 35mm2, 60° Keyway - Black
SLPIP35BSB3EH	C10-738727-2303	Surlok plus 8.0mm Straight Plug with EMI and HVIL, 35mm2, 120° Keyway - Black
SLPIP35BSB4EH	C10-738727-2304	Surlok plus 8.0mm Straight Plug with EMI and HVIL, 35mm2, 150° Keyway - Black
SLPIP35BSR0EH	C10-738727-3300	Surlok plus 8.0mm Straight Plug with EMI and HVIL, 35mm2, 90° Keyway - Red
SLPIP35BSR1EH	C10-738727-3301	Surlok plus 8.0mm Straight Plug with EMI and HVIL, 35mm2, 270° Keyway - Red
SLPIP35BSR2EH	C10-738727-3302	Surlok plus 8.0mm Straight Plug with EMI and HVIL, 35mm2, 60° Keyway - Red
SLPIP35BSR3EH	C10-738727-3303	Surlok plus 8.0mm Straight Plug with EMI and HVIL, 35mm2, 120° Keyway - Red
SLPIP35BSR4EH	C10-738727-3304	Surlok plus 8.0mm Straight Plug with EMI and HVIL, 35mm2, 150° Keyway - Red
SLPIRBBBS00EH	C10-738726-1100	Surlok plus 8.0mm EMI& HVIL receptacle Busbar Terminal, 90° Keyway - Orange
SLPIRBBBS01EH	C10-738726-1101	Surlok plus 8.0mm EMI& HVIL receptacle Busbar Terminal, 270° Keyway - Orange
SLPIRBBBS02EH	C10-738726-1102	Surlok plus 8.0mm EMI& HVIL receptacle Busbar Terminal, 60° Keyway - Orange
SLPIRBBBS03EH	C10-738726-1103	Surlok plus 8.0mm EMI& HVIL receptacle Busbar Terminal, 120° Keyway - Orange
SLPIRBBBS04EH	C10-738726-1104	Surlok plus 8.0mm EMI& HVIL receptacle Busbar Terminal, 150° Keyway - Orange
SLPIRBBBSB0EH	C10-738726-2100	Surlok plus 8.0mm EMI& HVIL receptacle Busbar Terminal, 90° Keyway - Black
SLPIRBBBSB1EH	C10-738726-2101	Surlok plus 8.0mm EMI& HVIL receptacle Busbar Terminal, 270° Keyway - Black
SLPIRBBBSB2EH	C10-738726-2102	Surlok plus 8.0mm EMI& HVIL receptacle Busbar Terminal, 60° Keyway - Black
SLPIRBBBSB3EH	C10-738726-2103	Surlok plus 8.0mm EMI& HVIL receptacle Busbar Terminal, 120° Keyway - Black
SLPIRBBBSB4EH	C10-738726-2104	Surlok plus 8.0mm EMI& HVIL receptacle Busbar Terminal, 150° Keyway - Black
SLPIRBBBSR0EH	C10-738726-3100	Surlok plus 8.0mm EMI& HVIL receptacle Busbar Terminal, 90° Keyway - Red
SLPIRBBBSR1EH	C10-738726-3101	Surlok plus 8.0mm EMI& HVIL receptacle Busbar Terminal, 270° Keyway - Red
SLPIRBBBSR2EH	C10-738726-3102	Surlok plus 8.0mm EMI& HVIL receptacle Busbar Terminal, 60° Keyway - Red
SLPIRBBBSR3EH	C10-738726-3103	Surlok plus 8.0mm EMI& HVIL receptacle Busbar Terminal, 120° Keyway - Red
SLPIRBBBSR4EH	C10-738726-3104	Surlok plus 8.0mm EMI& HVIL receptacle Busbar Terminal, 150° Keyway - Red

North America

Amphenol Industrial Operations

191 Delaware Avenue
Sidney, NY 13838-1395
USA

Tel: +1-888-364-9011 Fax: +1-520-397-7169

www.amphenol-industrial.com

Email: tech@amphenol-aio.com

Asia

Amphenol Technology(Zhuhai) Co., Ltd.

No.63, Xinghan Road, Sanzao Town,
Jinwan, Zhuhai, 519040
China

Tel: +86-756-398 9725 Fax: +86-756-398 9768

www.amphenol-industrial.com

Email: tech@amphenol-aio.com

