



Chipsmall Limited consists of a professional team with an average of over 10 year of expertise in the distribution of electronic components. Based in Hongkong, we have already established firm and mutual-benefit business relationships with customers from,Europe,America and south Asia,supplying obsolete and hard-to-find components to meet their specific needs.

With the principle of “Quality Parts,Customers Priority,Honest Operation,and Considerate Service”,our business mainly focus on the distribution of electronic components. Line cards we deal with include Microchip,ALPS,ROHM,Xilinx,Pulse,ON,Everlight and Freescale. Main products comprise IC,Modules,Potentiometer,IC Socket,Relay,Connector.Our parts cover such applications as commercial,industrial, and automotives areas.

We are looking forward to setting up business relationship with you and hope to provide you with the best service and solution. Let us make a better world for our industry!



Contact us

Tel: +86-755-8981 8866 Fax: +86-755-8427 6832

Email & Skype: info@chipsmall.com Web: www.chipsmall.com

Address: A1208, Overseas Decoration Building, #122 Zhenhua RD., Futian, Shenzhen, China



High Brightness Type $\phi 3.1$ Circular Type LED Lamps (LEDs with Pressure Release Structure)

SLR343 Series



Shape	Emitting Surface Dimension (mm)	Blue			Green		
		InGaN on SiC					
		468nm		523nm	518nm		
Circular Type	$\phi 3.1$						
		SLR343BBT	SLR343BCT	SLR343BDT	SLR343EBT	SLR343ECT	SLR343EDT

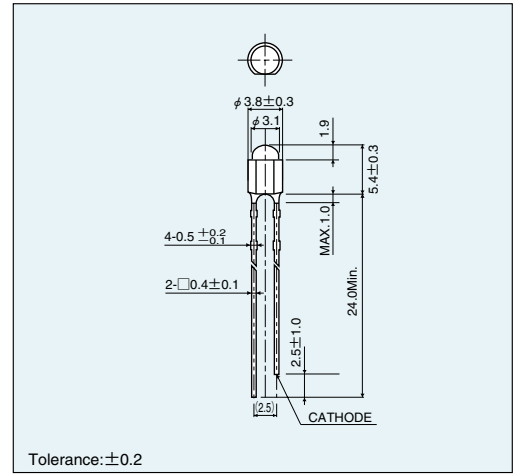
Note) "*" will be taken out for emitting color B/E series.

Absolute Maximum Ratings (Ta=25°C)

Part No.	Emitting color	Power dissipation Pd (mW)	Forward current IF (mA)	Peak forward current * IFP (mA)	Reverse voltage VR (V)	Operating temperature Topr (°C)	Storage temperature Tstg (°C)
SLR343BBT	Blue	120	30	100	5	-20 to +80	-30 to +100
SLR343BCT							
SLR343BDT							
SLR343EBT	Green	120	30	100	5	-20 to +80	-30 to +100
SLR343ECT							
SLR343EDT							

* IFP measured under duty $\leq 1/10, 1\text{kHz}$

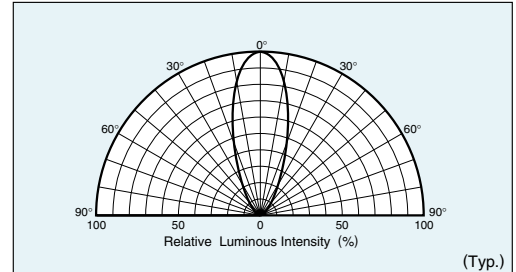
External Dimensions (Unit : mm)



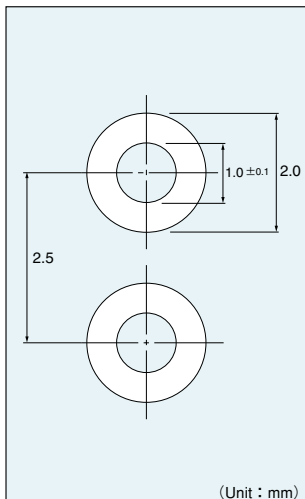
Electrical Optical Characteristics (Ta=25°C)

Part No.	Resin Color	Forward voltage VF		Reverse current IR		Light wavelength			Brightness Iv		
		Typ. (V)	IF (mA)	Max. (μA)	VR (V)	Peak λ_p (nm)	Half-wave $\Delta\lambda$ (nm)	IF (mA)	Min. (mcd)	Typ. (mcd)	IF (mA)
SLR343BBT	Transparent Clear	3.5	20	100	5	468	26	20	90	350	20
SLR343BCT									200	600	
SLR343BDT									300	800	
SLR343EBT		3.8	20	100	5	523	36	20	420	1500	
SLR343ECT									610	2000	
SLR343EDT	900	3500									

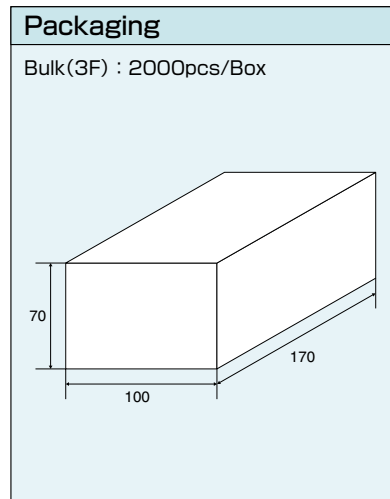
Directivity



Recommended Pad Layout

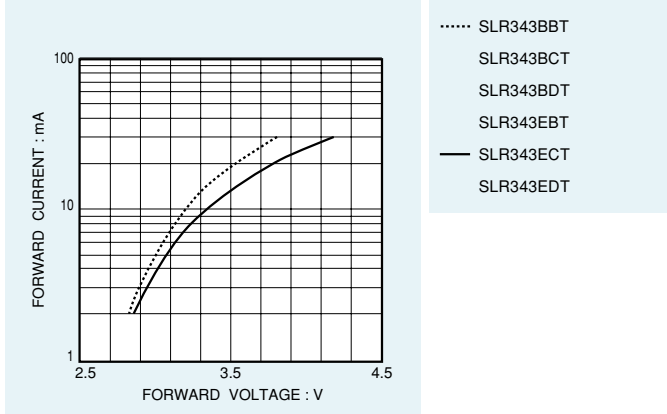


Packaging Specifications (Unit : mm)

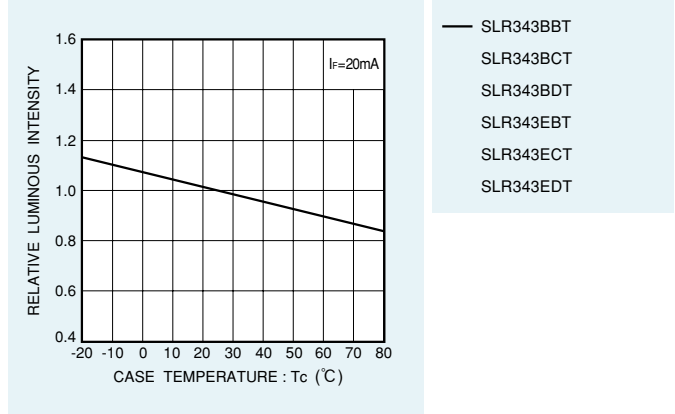


Electrical Characteristic Curves

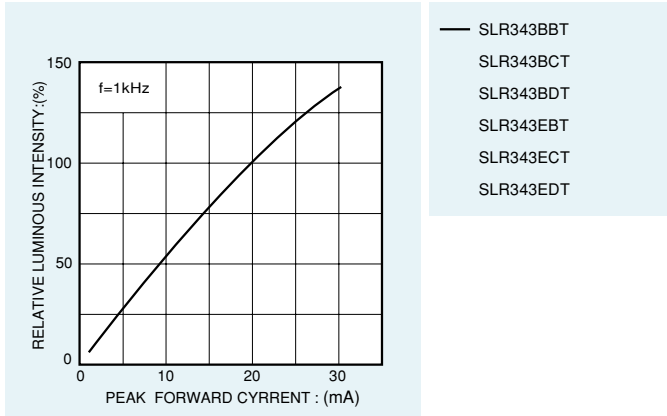
Forward Current - Forward Voltage



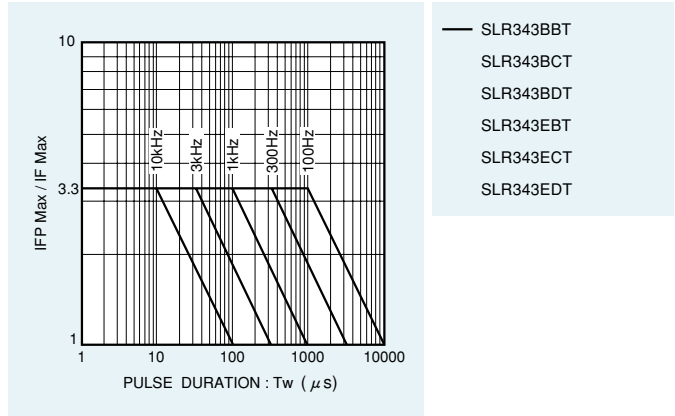
Relative Luminous Intensity - Case Temperature



Relative Luminous Intensity - Forward Current



Ratio of Maximum Tolerable Peak Current - Pulse Duration



Derating

