



Chipsmall Limited consists of a professional team with an average of over 10 year of expertise in the distribution of electronic components. Based in Hongkong, we have already established firm and mutual-benefit business relationships with customers from,Europe,America and south Asia,supplying obsolete and hard-to-find components to meet their specific needs.

With the principle of "Quality Parts,Customers Priority,Honest Operation,and Considerate Service",our business mainly focus on the distribution of electronic components. Line cards we deal with include Microchip,ALPS,ROHM,Xilinx,Pulse,ON,Everlight and Freescale. Main products comprise IC,Modules,Potentiometer,IC Socket,Relay,Connector.Our parts cover such applications as commercial,industrial, and automotives areas.

We are looking forward to setting up business relationship with you and hope to provide you with the best service and solution. Let us make a better world for our industry!



Contact us

Tel: +86-755-8981 8866 Fax: +86-755-8427 6832

Email & Skype: info@chipsmall.com Web: www.chipsmall.com

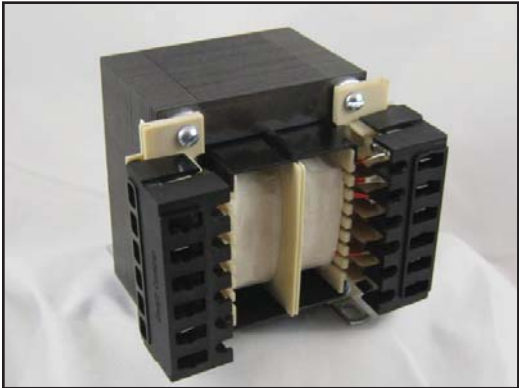
Address: A1208, Overseas Decoration Building, #122 Zhenhua RD., Futian, Shenzhen, China



Signal 277V/120V Stepdown Transformers



Allows Installers to Derive a Fully Isolated 120V Source from a 277V Line



Ideal for power task lighting and service receptacles.

General Specifications

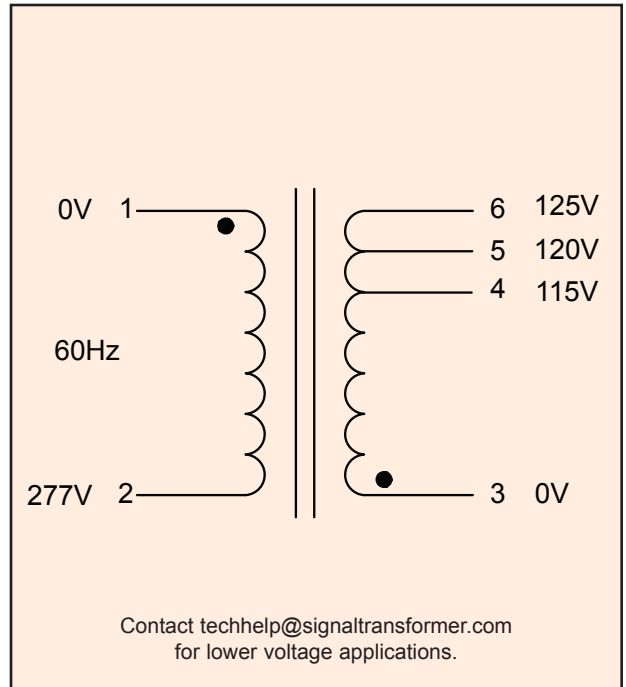
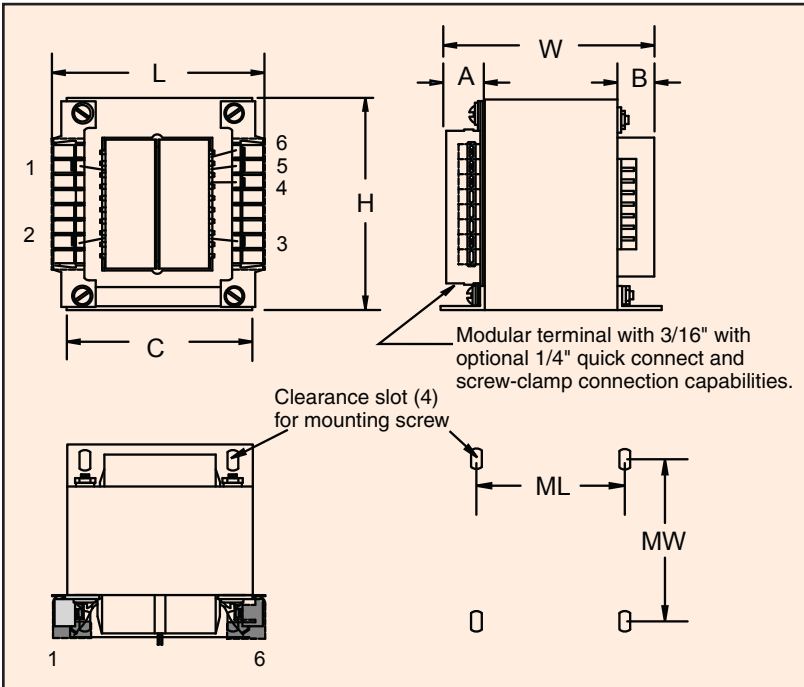
- Power - 300, 450, 600, and 1000VA ratings
- Dielectric Strength - 4000V
- Primary: 277V, 60 Hz
- Secondary: 120V with taps at 115V and 125V for high/low line adjustment
- Insulation System - UL 1446 Class F (155° C)
- Leakage Current - <30 uA
- Touch Safe terminals (IP20 type) offer a screw/binding clamp for hard wiring and 3/16" and 1/4" Fast-On connection
- Flame Rating - UL 94-V0

Agency Certifications:

- UL 1446 File #E66312
- Compliant with the following domestic and international standards
- UL5085-1-2, UL 506, UL 60950, UL 197, UL 1262
- IEC 60950, IEC 61558-2-4, IEC 61010-1
- CSA 22.2 #66-1-2
- VDE 0570, 0605, 0551, 0550
- CE



File #E66312



Part Number	VA	Sec RMS	L	W	H	A	B	C	ML	MW	Mounting Screw	Weight
	Size	Rating										Inches (mm)
SLT-300	300	120V @ 2.5A	4.20 (106.68)	4.08 (103.51)	3.75 (95.3)	1.33 (33.8)	0.62 (15.9)	3.12 (79.4)	2.50 (63.5)	3.12 (79.4)	#10	7.0 (3.18)
SLT-450	450	120V @ 3.8A	4.46 (113.28)	4.33 (110)	4.50 (114.3)	1.33 (33.8)	0.75 (19.1)	3.75 (95.3)	3.00 (76.2)	3.25 (82.6)	#10	11.0 (5)
SLT-600	600	120V @ 5A	4.46 (113.28)	5.08 (129.03)	4.50 (114.3)	1.33 (33.8)	0.75 (19.1)	3.75 (95.3)	3.00 (76.2)	4.06 (103.2)	#10	14.3 (6.49)
SLT-1000	1000	120V @ 8.33A	4.89 (124.20)	5.70 (144.78)	5.25 (133.4)	1.33 (33.8)	0.87 (22.2)	4.37 (111.1)	3.50 (88.9)	4.68 (119.1)	1/4"	22.0 (10.0)

Custom versions available upon request.

©2015 Signal Transformer Inc. Specifications subject to change without notice. 07.15



500 Bayview Avenue, Inwood, NY 11096
 Toll Free 866-239-5777 • Tel 516-239-5777 • Fax 516-239-7208
 sales@signaltransformer.com • techhelp@signaltransformer.com