



Chipsmall Limited consists of a professional team with an average of over 10 year of expertise in the distribution of electronic components. Based in Hongkong, we have already established firm and mutual-benefit business relationships with customers from,Europe,America and south Asia,supplying obsolete and hard-to-find components to meet their specific needs.

With the principle of “Quality Parts,Customers Priority,Honest Operation,and Considerate Service”,our business mainly focus on the distribution of electronic components. Line cards we deal with include Microchip,ALPS,ROHM,Xilinx,Pulse,ON,Everlight and Freescale. Main products comprise IC,Modules,Potentiometer,IC Socket,Relay,Connector.Our parts cover such applications as commercial,industrial, and automotives areas.

We are looking forward to setting up business relationship with you and hope to provide you with the best service and solution. Let us make a better world for our industry!



Contact us

Tel: +86-755-8981 8866 Fax: +86-755-8427 6832

Email & Skype: info@chipsmall.com Web: www.chipsmall.com

Address: A1208, Overseas Decoration Building, #122 Zhenhua RD., Futian, Shenzhen, China



UNLESS OTHERWISE NOTED
 DIMENSIONS ARE IN INCHES
 TOLERANCES ARE:
 ONE PLACE DECIMALS ± .1 [3] THREE PLACE DECIMALS ± .005 [.13]
 TWO PLACE DECIMALS ± .01 [.3] FOUR PLACE DECIMALS ± .0020 [.051]

TITLE:
LOW PROFILE SOCKET STRIP
 ANGLES ± 2°

DWG NO:
SLW-1XX-01-X-X
 SHEET 1 OF 1

CRITICAL DIMENSION INSPECTION TABLE	
ASSEMBLY OPERATION	IN-PROCESS INSPECTION
FILL	C1
ROTARY CUT	C2

SLW-1XX-01-X-X

POSITION SPECIFICATION
 -01 THRU -50 PER ROW
 "A" = NO. OF POS. x .100 [2.54]

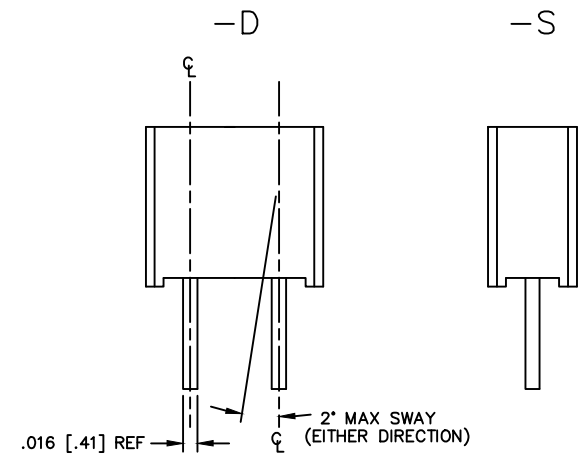
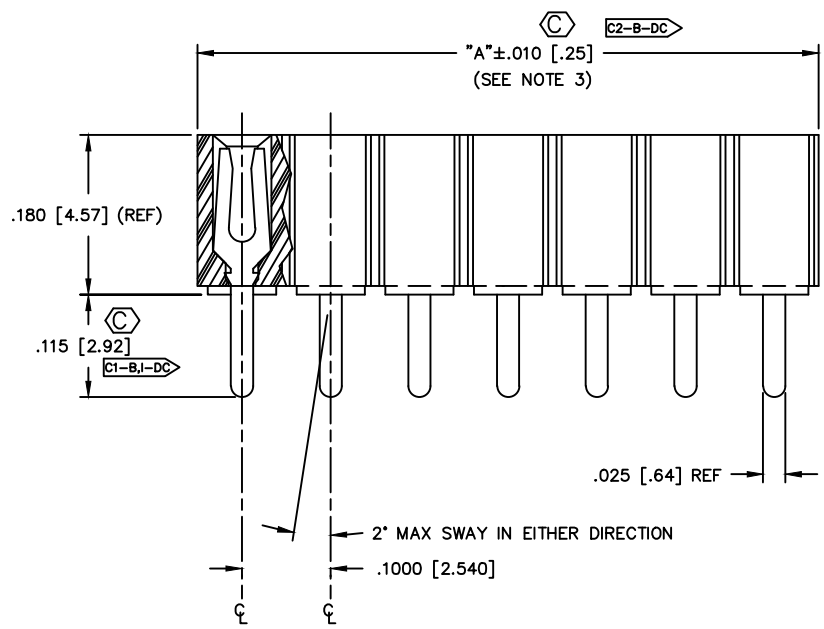
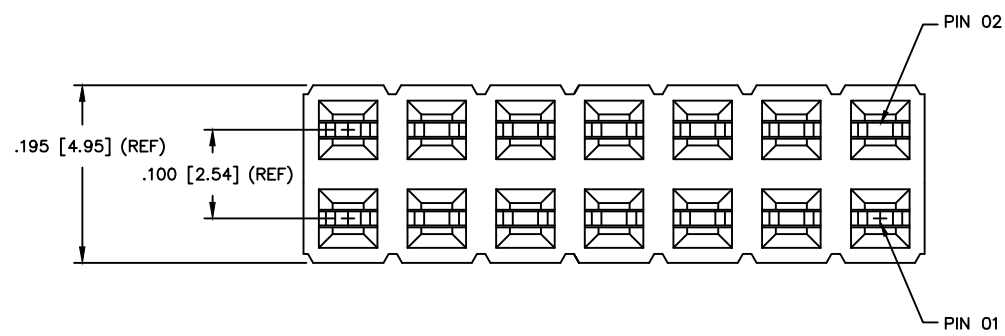
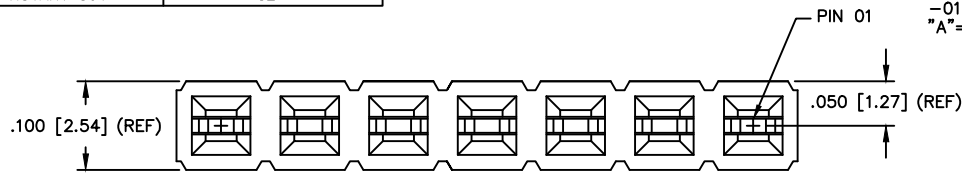
ROW SPECIFICATION
 -D: DOUBLE (USE SLW-50-D)
 -S: SINGLE (USE SLW-50-S)

CONTACT STYLE
 -01: USE C-28-X

PLATING SPECIFICATION
 -G: 20μ" GOLD IN CONTACT AREA, 3μ" GOLD ON TAIL
 -T: MATTE TIN CONTACT AND TAIL
 -S: 30μ" SELECTIVE GOLD IN CONTACT AREA, MATTE TIN ON TAIL
 -F: 3μ" FLASH SELECTIVE GOLD IN CONTACT AREA, MATTE TIN ON TAIL
 -H: 30μ" HEAVY GOLD IN CONTACT AREA, 3μ" GOLD TAIL
 -L: 10μ" LIGHT SELECTIVE GOLD IN CONTACT AREA, MATTE TIN ON TAIL

NOTES:

- MIN PUSHOUT FORCE: 1 lb.
- MAX BOW: .005 in/in [mm/mm], .025 [.64]
- CUT END WALLS TO BE .012 [.30] MIN.
- (C) REPRESENTS CRITICAL DIM.
- FOR STATISTICAL PROCESS CONTROL.
- .010 [.25] MAX CUT FLASH
- NO TUBE PACKAGING REQUIRED



PLOT SCALE: 1=1

Do not scale from this print

PROPRIETARY NOTE
 THIS DOCUMENT CONTAINS INFORMATION CONFIDENTIAL AND PROPRIETARY TO SAMTEC INC. AND SHALL NOT BE REPRODUCED OR TRANSFERRED TO OTHER DOCUMENTS OR DISCLOSED TO OTHERS OR USED FOR ANY PURPOSE OTHER THAN THAT FOR WHICH IT WAS OBTAINED WITHOUT THE EXPRESSED WRITTEN CONSENT OF SAMTEC INC.

samtec		MSC/UMT/SLW-MKT
520 PARK EAST BLVD. NEW ALBANY, INDIANA 47150 PHONE (812) 944-8733 P.O. BOX 1147 CODE 55322		
MADE BY: PURVIS 9-4-87	ENG. APPROVAL: DEM	SLW-1XX-01-X-X
CHECKED BY: McCARTIN		SHEET 1 OF 1