



Chipsmall Limited consists of a professional team with an average of over 10 year of expertise in the distribution of electronic components. Based in Hongkong, we have already established firm and mutual-benefit business relationships with customers from,Europe,America and south Asia,supplying obsolete and hard-to-find components to meet their specific needs.

With the principle of “Quality Parts,Customers Priority,Honest Operation,and Considerate Service”,our business mainly focus on the distribution of electronic components. Line cards we deal with include Microchip,ALPS,ROHM,Xilinx,Pulse,ON,Everlight and Freescale. Main products comprise IC,Modules,Potentiometer,IC Socket,Relay,Connector.Our parts cover such applications as commercial,industrial, and automotives areas.

We are looking forward to setting up business relationship with you and hope to provide you with the best service and solution. Let us make a better world for our industry!



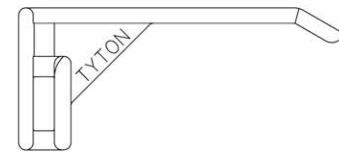
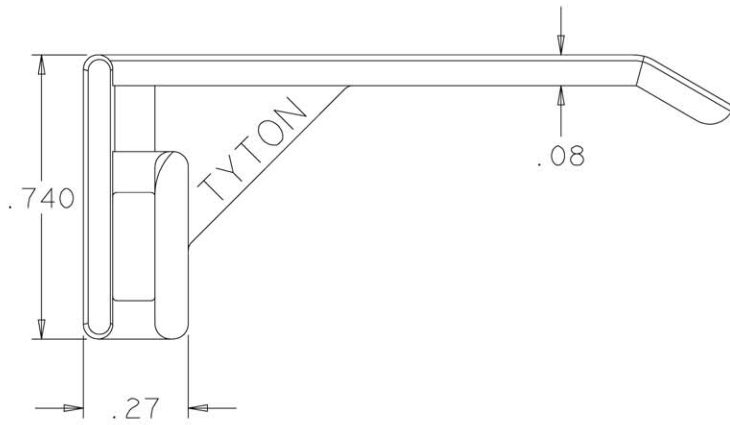
Contact us

Tel: +86-755-8981 8866 Fax: +86-755-8427 6832

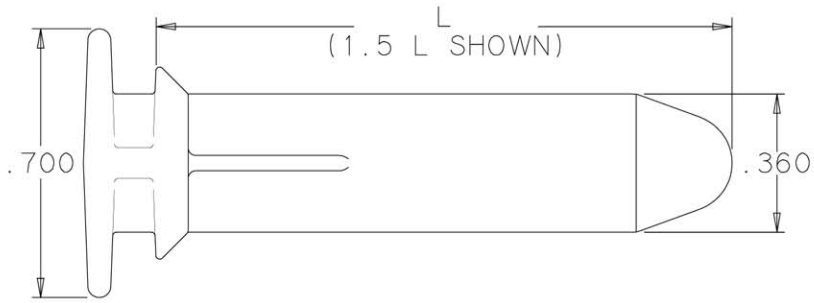
Email & Skype: info@chipsmall.com Web: www.chipsmall.com

Address: A1208, Overseas Decoration Building, #122 Zhenhua RD., Futian, Shenzhen, China





FULL SCALE



Δ	Δ		
CATALOG NUMBER	PACKAGE QUANTITY	DUCT WIDTH	(L) LENGTH
SLWR4-C	100	4.00	3.250
SLWR3-C	100	3.00	2.375
SLWR2-C	100	2.00	1.500

DESIGN TEAM _____ INVENTOR(S)/DATE _____

HellermannTyton

D		6/26/95	GGG
DWG REV	DASH - REV	CHANGED	RELEASED
	PART NO.	DATE	BY

FEATURES:
 - USE WITH 2, 3 & 4" WIDE TYTON SLOTTED DUCT
 - SNAPS IN PLACE

DIMENSIONS	VERIFIED	UNITS	TOLERANCES unless otherwise specified	
	name	<input checked="" type="checkbox"/> in <input type="checkbox"/> mm	.XXX = ±.005	.X =
	date	<input type="checkbox"/> mm <input type="checkbox"/> in	.XX = ±.01	<= ±2°
MATERIAL	NYLON 6/6 BLACK or engineering approved equivalent			

NAME	PART NAME		
DATE	WIRE RETAINING CLIP (SLOTTED CHANNEL DUCT)		
G GEIGER	plot date	scale	drive S sheet 1 of 1
5/6/91	6/29/95	2X	
approved	FORMAT AH	VERSION E	CUSTOMER DRAWING NUMBER
checked	DRAWING NO. WAS		DT\CST\3002000D
	DT3002C000		