



Chipsmall Limited consists of a professional team with an average of over 10 year of expertise in the distribution of electronic components. Based in Hongkong, we have already established firm and mutual-benefit business relationships with customers from,Europe,America and south Asia,supplying obsolete and hard-to-find components to meet their specific needs.

With the principle of “Quality Parts,Customers Priority,Honest Operation,and Considerate Service”,our business mainly focus on the distribution of electronic components. Line cards we deal with include Microchip,ALPS,ROHM,Xilinx,Pulse,ON,Everlight and Freescale. Main products comprise IC,Modules,Potentiometer,IC Socket,Relay,Connector.Our parts cover such applications as commercial,industrial, and automotives areas.

We are looking forward to setting up business relationship with you and hope to provide you with the best service and solution. Let us make a better world for our industry!



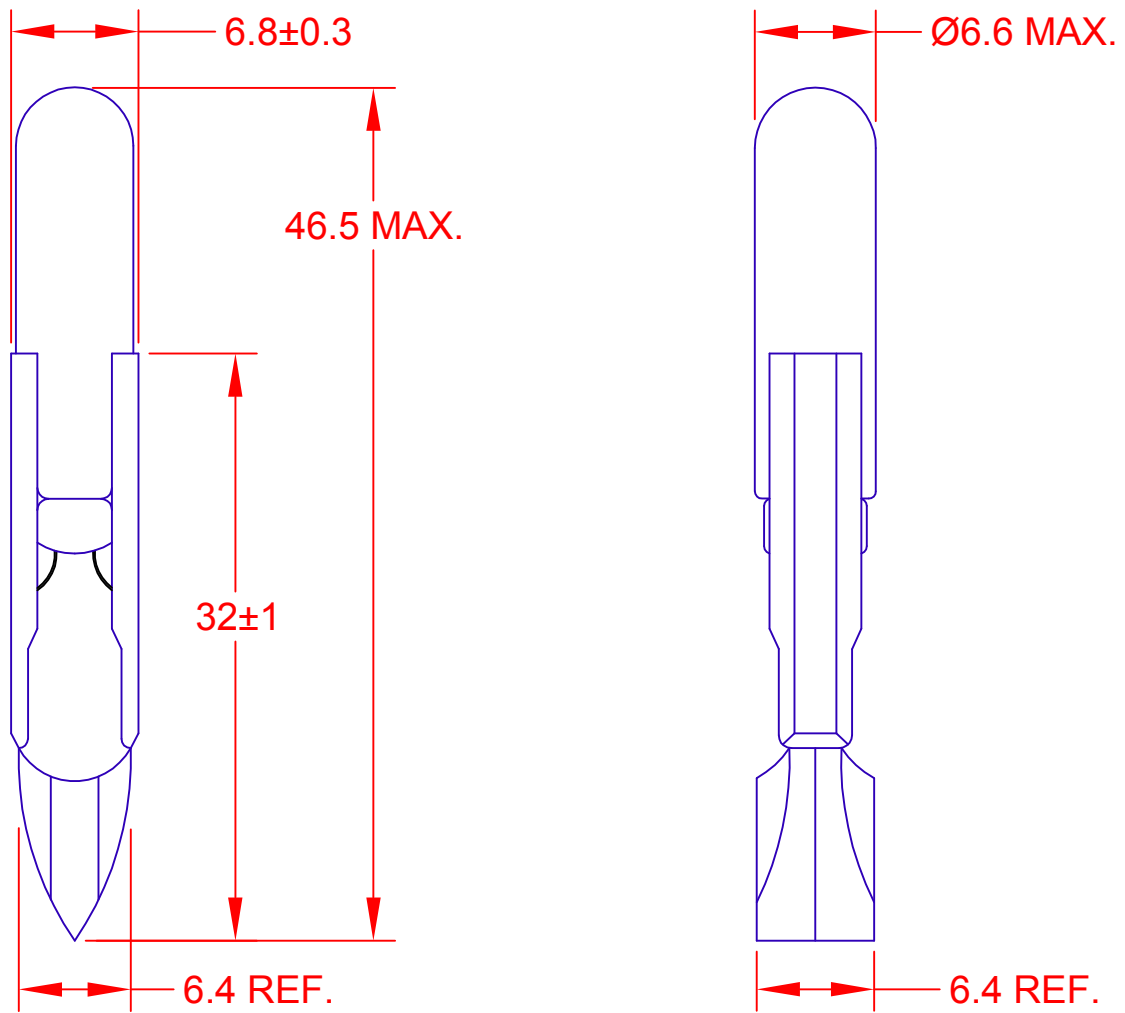
Contact us

Tel: +86-755-8981 8866 Fax: +86-755-8427 6832

Email & Skype: info@chipsmall.com Web: www.chipsmall.com

Address: A1208, Overseas Decoration Building, #122 Zhenhua RD., Futian, Shenzhen, China





JKL LAMP NUMBER	VOLTS RATED	AMPS $\pm 10\%$	MSCP $\pm 25\%$	LUMENS $\pm 25\%$	AVERAGE LIFE HRS.	FILAMENT TYPE
SM0640G	6.0	.040	.048	0.60	5,000	C-2V
SM06200G	6.0	.200	.334	4.20	5,000	C-2R
SM1220G	12.0	.020	.032	0.40	5,000	C-2V
SM1250G	12.0	.050	.160	2.01	5,000	C-2V
SM12100G	12.0	.100	.255	3.21	5,000	C-2F
SM2420G	24.0	.020	.064	0.80	5,000	C-2F
SM2440G	24.0	.040	.239	3.00	5,000	C-2F
SM2450G	24.0	.050	.279	3.51	5,000	C-2F
SM3020G	30.0	.020	.104	1.31	5,000	C-2F
SM3050G	30.0	.050	.319	4.00	5,000	C-2F
SM4840G	48.0	.040	.358	4.50	5,000	CC-2F
SM6020G	60.0	.020	.184	2.30	5,000	CC-2F
SM6050G	60.0	.050	.557	7.0	5,000	CC-2F

E	CHANGE FILIMENT TO C-2F FOR SM12100G	12/8/15
D	ADD PART NO. SM6050G	12/17/13
C	ADD PART NO. SM2440G	12/5/11
B	DELETE PART NO. SM2845G	10/9/01
A	ADD SM3050G & SM6020G	8/31/00
	RELEASED	8/16/00
REV. NO.	DESCRIPTION/ECO N1MRFR	APPVD DATE

METRIC

THIRD ANGLE PROJECTION

DIMENSIONS ARE IN MILLIMETERS

TOLERANCE UNLESS OTHERWISE SPECIFIED

1 PL +/- 0.2
2 PL +/- ANGLE +/- 0

DRAWN BY: L. WENGSTROM
APPV'D BY: L.R.
DATE: 12/8/15

- CAD DRAWING -
MANUAL REVISIONS NOT PERMITTED

JKL COMPONENTS CORPORATION

TITLE: T-2 TELEPHONE SLIDE BASE T6.8

SIZE: **A** FSCM NO.: **55335** DRAWING NO.: **SLIDE BASE T6.8**

SCALE: NONE RELEASED DATE: 8/16/00 REVISION DATE: 12/8/15 REV. NO.: **E** SHEET 1 OF 1