



Chipsmall Limited consists of a professional team with an average of over 10 year of expertise in the distribution of electronic components. Based in Hongkong, we have already established firm and mutual-benefit business relationships with customers from,Europe,America and south Asia,supplying obsolete and hard-to-find components to meet their specific needs.

With the principle of “Quality Parts,Customers Priority,Honest Operation,and Considerate Service”,our business mainly focus on the distribution of electronic components. Line cards we deal with include Microchip,ALPS,ROHM,Xilinx,Pulse,ON,Everlight and Freescale. Main products comprise IC,Modules,Potentiometer,IC Socket,Relay,Connector.Our parts cover such applications as commercial,industrial, and automotives areas.

We are looking forward to setting up business relationship with you and hope to provide you with the best service and solution. Let us make a better world for our industry!



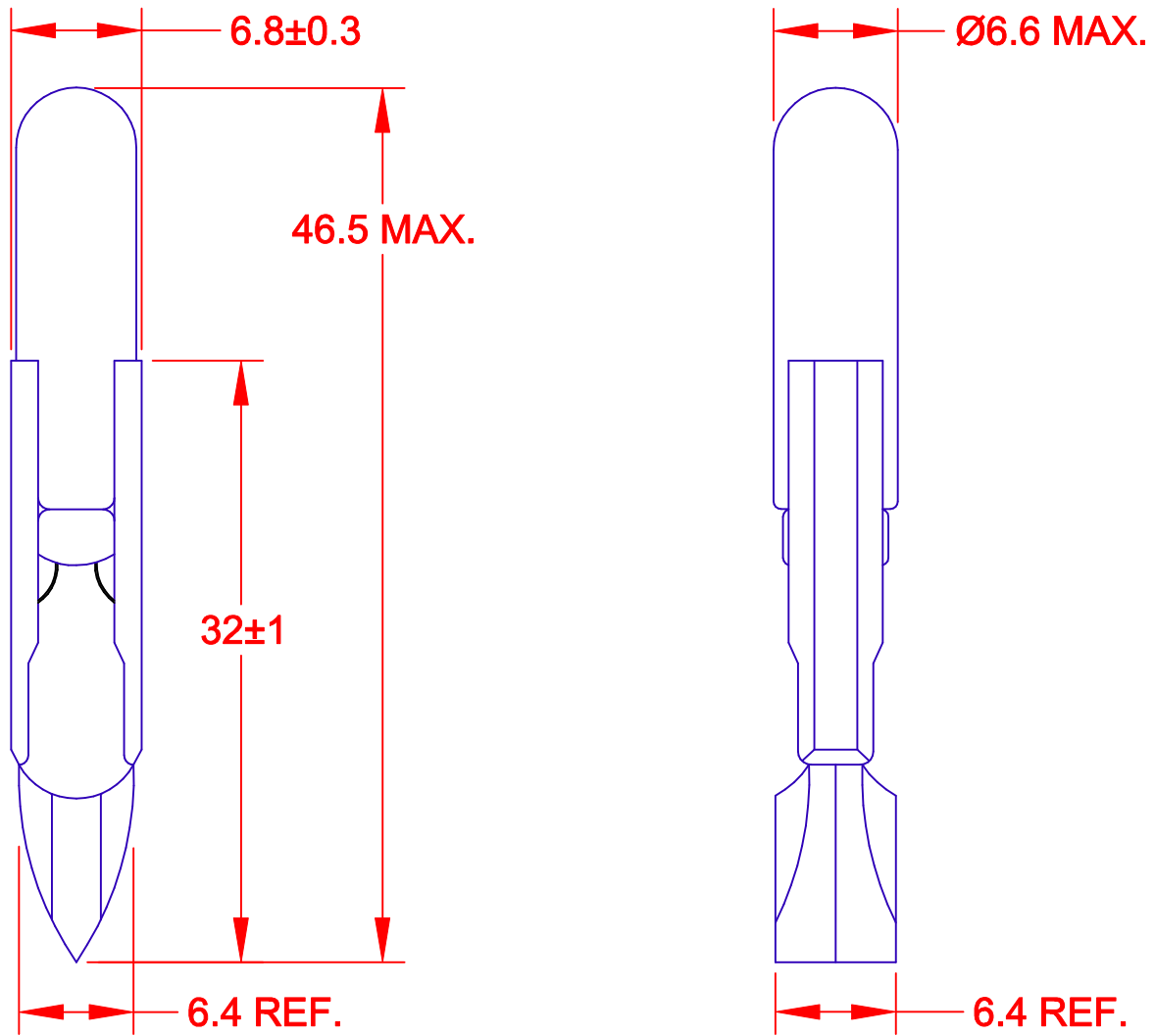
Contact us

Tel: +86-755-8981 8866 Fax: +86-755-8427 6832

Email & Skype: info@chipsmall.com Web: www.chipsmall.com

Address: A1208, Overseas Decoration Building, #122 Zhenhua RD., Futian, Shenzhen, China





JKL LAMP NUMBER	VOLTS RATED	AMPS ±10%	MSCP ±25%	LUMENS ±25%	AVERAGE LIFE HRS.	FILAMENT TYPE
SM0640G	6.0	.040	.048	0.60	5,000	C-2V
SM06200G	6.0	.200	.334	4.20	5,000	C-2R
SM1220G	12.0	.020	.032	0.40	5,000	C-2V
SM1250G	12.0	.050	.160	2.01	5,000	C-2V
SM12100G	12.0	.100	.255	3.21	5,000	C-2V
SM2420G	24.0	.020	.064	0.80	5,000	C-2F
SM2450G	24.0	.050	.279	3.51	5,000	C-2F
SM3020G	30.0	.020	.104	1.31	5,000	C-2F
SM3050G	30.0	.050	.319	4.00	5,000	C-2F
SM4840G	48.0	.040	.358	4.50	5,000	CC-2F
SM6020G	60.0	.020	.184	2.30	5,000	CC-2F

 METRIC	 THIRD ANGLE PROJECTION	DIMENSIONS ARE IN MILLIMETERS		 JKL COMPONENTS CORPORATION							
		TOLERANCE UNLESS OTHERWISE SPECIFIED 1 PL +/- 0.2 2 PL +/- 0 ANGLE +/- 0						TITLE T-2 TELEPHONE SLIDE BASE T6.8			
B DELETE PART NO. SM2845G A ADD SM3050G & SM6020G RELEASED	10/9/01 8/31/00 8/16/00	DRAWN BY L. WENGSTROM	APPVD BY DATE QC 10/9/01	SIZE A	FSCM NO. 55335	DRAWING NO. SLIDE BASE T6.8	SCALE NONE	RELEASED DATE 8/16/00	REVISION DATE 10/9/01	REV. NO. B	SHEET 1 OF 1
- CAD DRAWING - MANUAL REVISIONS NOT PERMITTED											

REV. NO.	DESCRIPTION/ECONUMBER	APPVD DATE
B	DELETE PART NO. SM2845G	10/9/01
A	ADD SM3050G & SM6020G	8/31/00
	RELEASED	8/16/00