



Chipsmall Limited consists of a professional team with an average of over 10 year of expertise in the distribution of electronic components. Based in Hongkong, we have already established firm and mutual-benefit business relationships with customers from,Europe,America and south Asia,supplying obsolete and hard-to-find components to meet their specific needs.

With the principle of “Quality Parts,Customers Priority,Honest Operation,and Considerate Service”,our business mainly focus on the distribution of electronic components. Line cards we deal with include Microchip,ALPS,ROHM,Xilinx,Pulse,ON,Everlight and Freescale. Main products comprise IC,Modules,Potentiometer,IC Socket,Relay,Connector.Our parts cover such applications as commercial,industrial, and automotives areas.

We are looking forward to setting up business relationship with you and hope to provide you with the best service and solution. Let us make a better world for our industry!



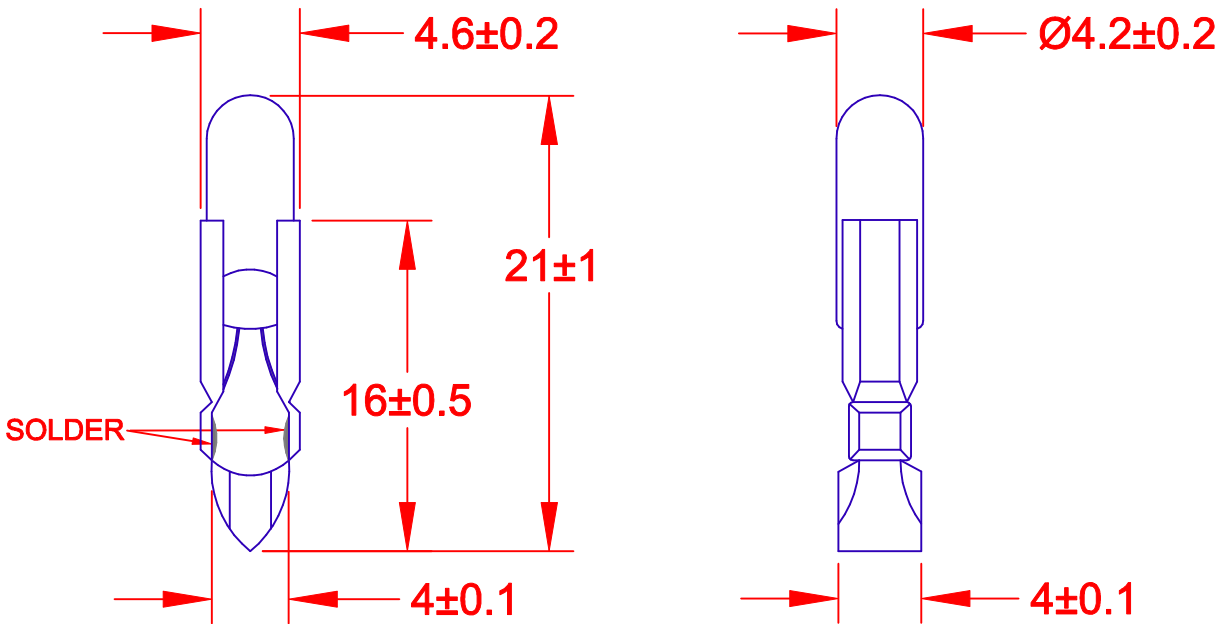
Contact us

Tel: +86-755-8981 8866 Fax: +86-755-8427 6832

Email & Skype: info@chipsmall.com Web: www.chipsmall.com

Address: A1208, Overseas Decoration Building, #122 Zhenhua RD., Futian, Shenzhen, China





JKL LAMP NUMBER	VOLTS RATED	AMPS ±10%	MSCP ±25%	LUMENS ±25%	AVERAGE LIFE HRS.	FILAMENT TYPE
SM0620M	6.0	.020	.024	0.30	5,000	C-6
SM0650M	6.0	.050	.080	1.01	5,000	C-2R
SM1220M	12.0	.020	.032	0.40	5,000	C-2V
SM1240M	12.0	.040	.088	1.11	5,000	C-2V
SM1250M	12.0	.050	.159	2.00	5,000	C-2V
SM2420M	24.0	.020	.064	0.80	5,000	C-2F
SM2430M	24.0	.030	.159	2.00	5,000	C-2F
SM2450M	24.0	.050	.279	3.51	5,000	C-2F
SM3020M	30.0	.040	.287	3.61	5,000	C-2F
SM3040M	30.0	.040	.287	3.61	5,000	C-2F

<p>THIRD ANGLE PROJECTION</p>			<p>METRIC</p> <p>DIMENSIONS ARE IN MILLIMETERS</p> <p>TOLERANCE UNLESS OTHERWISE SPECIFIED</p> <p>1 PL +/- 0.2</p> <p>2 PL +/- 0</p> <p>ANGLE +/- 0</p>		<p>JKL COMPONENTS CORPORATION</p>					
<p>DRAWN BY L. WENGSTROM</p>			<p>APPV'D BY DATE QC 8/16/00</p>		<p>SIZE A</p>		<p>FSCM NO. 55335</p>		<p>DRAWING NO. SLIDE BASE LILIPUT T4.6</p>	
<p>RELEASED 8/16/00</p>			<p>APPV'D DATE</p>		<p>SCALE NONE</p>		<p>RELEASED DATE 8/16/00</p>		<p>REVISION DATE</p>	
<p>REV. NO. DESCRIPTION/ECO NUMBER</p>			<p>- CAD DRAWING -</p> <p>MANUAL REVISIONS NOT PERMITTED</p>		<p>REV. NO.</p>		<p>SHEET 1 of 1</p>		<p>REV. NO.</p>	