



Chipsmall Limited consists of a professional team with an average of over 10 year of expertise in the distribution of electronic components. Based in Hongkong, we have already established firm and mutual-benefit business relationships with customers from,Europe,America and south Asia,supplying obsolete and hard-to-find components to meet their specific needs.

With the principle of “Quality Parts,Customers Priority,Honest Operation,and Considerate Service”,our business mainly focus on the distribution of electronic components. Line cards we deal with include Microchip,ALPS,ROHM,Xilinx,Pulse,ON,Everlight and Freescale. Main products comprise IC,Modules,Potentiometer,IC Socket,Relay,Connector.Our parts cover such applications as commercial,industrial, and automotives areas.

We are looking forward to setting up business relationship with you and hope to provide you with the best service and solution. Let us make a better world for our industry!



Contact us

Tel: +86-755-8981 8866 Fax: +86-755-8427 6832

Email & Skype: info@chipsmall.com Web: www.chipsmall.com

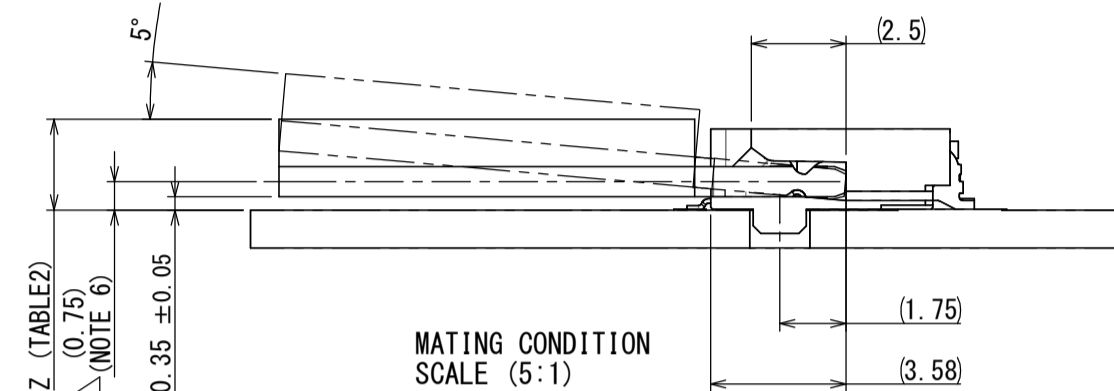
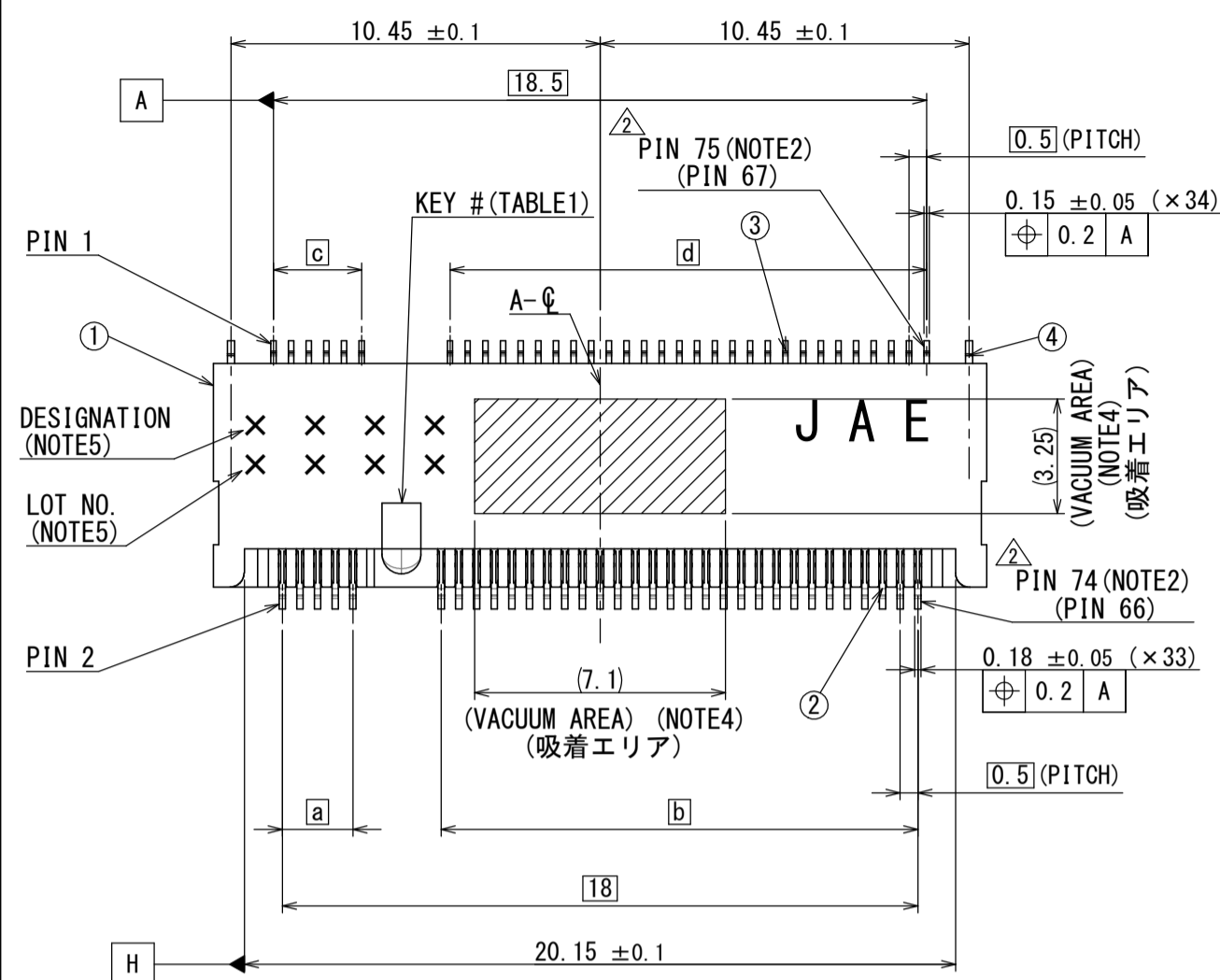
Address: A1208, Overseas Decoration Building, #122 Zhenhua RD., Futian, Shenzhen, China



DESIGNATION

SM3ZS067U215※
 SERIES シリーズ
 Z: LIF TYPE
 Z: 低挿入タイプ
 S: STANDARD
 NO. OF CONTACTS 芯数
 MOUNTING TYPE 実装タイプ
 U: ON BOARD TYPE
 KEY POSITION TYPE: A, B, E, M
 CONTACT FINISH 接点仕上げ
 A: Au (0.13 μm MIN)
 B: Au (0.25 μm MIN)
 PRODUCT HEIGHT 製品高さ
 215: 2.15mm
 310: 3.10mm
 410: 4.10mm

版数 VER.	年月日 DATE	図番 CN NO.	変更内容 DESCRIPTION	製図 DR.	担当 CHK.	査閲 APPD.	承認 APPD.
2	19/AUG/2013	007107	Correction of errors.		S. YAMAGUCHI	R. KATOU	T. SHINDOU
3	26/JUN/2014	008839	Specification is changed.		S. YAMAGUCHI	M. SASAKI	T. SHINDOU
4	16/MAR/2015	012411	Add KEY version (KEY-A, KEY-M) etc.		S. YAMAGUCHI	M. SASAKI	T. SHINDOU



NOTE5. PRODUCTION LOT No. & MODIFY CODE AS INDICATED.
 (Ex. LOT NO.) T 5 Y B
 LOT NUMBER OF CURRENT DAY (SEE TABLE 3)
 MONTH (1 TO 9 FOR JAN. TO SEPT. RESPECTIVELY, OCT.:0, NOV.:X, DEC.:Y)
 YEAR (LAST DIGIT ONLY)
 MANUFACTURE CODE

(DESIGNATION) S M 3 B
 KEY POSITION TYPE: A, B, E, M
 SERIES PREFIX

TABLE 1

KEY#	X	a	b	c	d
A	+6.625	1	14.5	1.5	14.5
B	+5.625	2	13.5	2.5	13.5
E	+2.625	5	10.5	5.5	10.5
M	-6.125	14	1.5	14	2

TABLE 2

COMPONENT HEIGHTS FOR MODULES	Z
1.2 MAX	2.45 MAX RSS
1.35 MAX	2.60 MAX RSS
1.5 MAX	2.75 MAX RSS

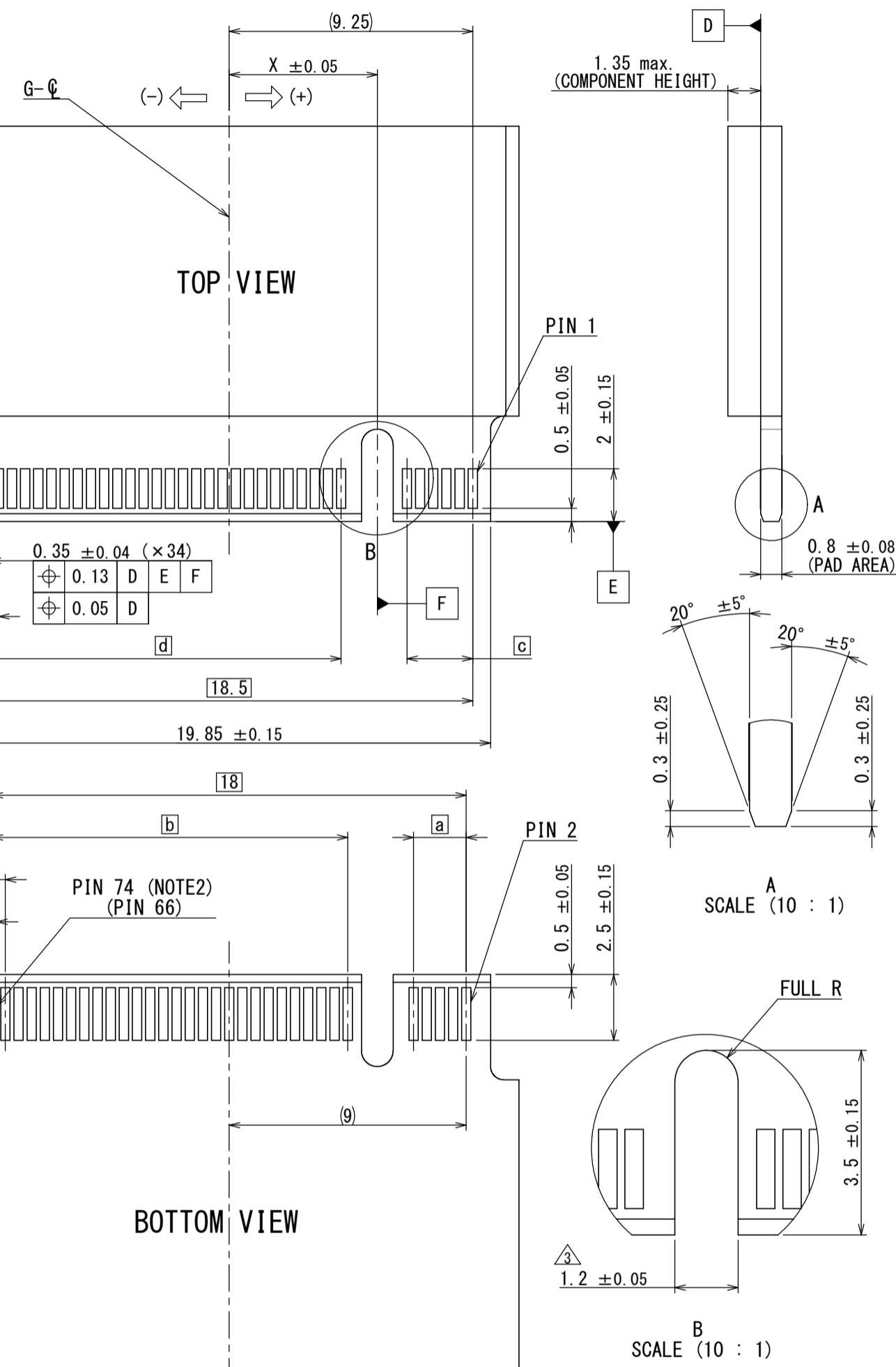
TABLE 3. LOT NUMBER CODE OF CURRENT DAY (END OF LOT No.)

DAY CODE	1	2	3	4	5	6	7	8	9	10
CODE	1	2	3	4	5	6	7	8	9	0

DAY CODE	11	12	13	14	15	16	17	18	19	20
CODE	A	B	C	D	E	F	G	H	J	K

DAY CODE	21	22	23	24	25	26	27	28	29	30	31
CODE	L	M	N	P	Q	R	S	T	V	W	X

NOTE1. THE COPLANARITY OF CONTACT AND HOLD DOWN SHALL BE 0.1 MAXIMUM ON THE SURFACE TABLE.
 NOTE2. THIS NUMBER IS PIN-OUT NUMBER DEFINED BY NGFF SPECIFICATION.
 NOTE3. THIS CONNECTOR IS HALOGEN FREE CORRESPONDENCE PRODUCT.
 NOTE4. THIS AREA SHALL NOT SHOW ANY BURRS AND UNEVEN SURFACE BY EJECTOR PIN MARK, TOOL PARTING LINE, AND ANY OTHER FACTORS.
 NOTE6. THE HEIGHT TO THE MODULE CARD CENTER FROM P.C.B. SURFACE.



APPLICABLE MODULE DIMENSION (REF.)
 SCALE (5:1)

符号 No.	名称 DESCRIPTION	個数 QTY.	材料 MATERIAL	仕上 FINISH	備考 REMARKS
4	HOLD DOWN	2	COPPER ALLOY	TIN PLATING OVER NI	
3	TOP SIDE CONTACT	34	COPPER ALLOY	CONTACT AREA: REFER TO DESIGNATION SOLDERING AREA: Au FLASH OVER Ni	
2	BOTTOM SIDE CONTACT	33	COPPER ALLOY	CONTACT AREA: REFER TO DESIGNATION SOLDERING AREA: Au FLASH OVER Ni	
1	INSULATOR	1	THERMO PLASTIC		

仕様書 (SPECIFICATION)		第1版 (ORIGINAL DATE)	尺度 (SCALE)	シリーズ (SERIES)	製図 DR.	名称 (TITLE)
		05/MAR/2013	5:1	SM3	S. YAMAGUCHI	SM3ZS067U215※※ (NGFF Single-Sided modules)
一般公差 (GENERAL TOLERANCE)		担当 CHK.	製図 DR. S. YAMAGUCHI			
寸法 (DIMENSION)		査閲 APPD.	R. KATOU			
角度 (ANGLES)		承認 APPD.	T. SHINDOU			
単位 (UNIT): mm		図面番号 (DRAWING NO.) SJ113567				