



Chipsmall Limited consists of a professional team with an average of over 10 year of expertise in the distribution of electronic components. Based in Hongkong, we have already established firm and mutual-benefit business relationships with customers from,Europe,America and south Asia,supplying obsolete and hard-to-find components to meet their specific needs.

With the principle of “Quality Parts,Customers Priority,Honest Operation,and Considerate Service”,our business mainly focus on the distribution of electronic components. Line cards we deal with include Microchip,ALPS,ROHM,Xilinx,Pulse,ON,Everlight and Freescale. Main products comprise IC,Modules,Potentiometer,IC Socket,Relay,Connector.Our parts cover such applications as commercial,industrial, and automotives areas.

We are looking forward to setting up business relationship with you and hope to provide you with the best service and solution. Let us make a better world for our industry!



Contact us

Tel: +86-755-8981 8866 Fax: +86-755-8427 6832

Email & Skype: info@chipsmall.com Web: www.chipsmall.com

Address: A1208, Overseas Decoration Building, #122 Zhenhua RD., Futian, Shenzhen, China



版数 VER.	年月日 DATE	CN NO.	変更内容 DESCRIPTION	製図 DR.	担当 CHK.	査閲 APPD.	承認 APPD.
2	2016/06/20	017839	ADDED APPLICABLE P.C.B. DIMENSION etc.		Y. SATOU	Y. SAITOU	T. MASUMOTO

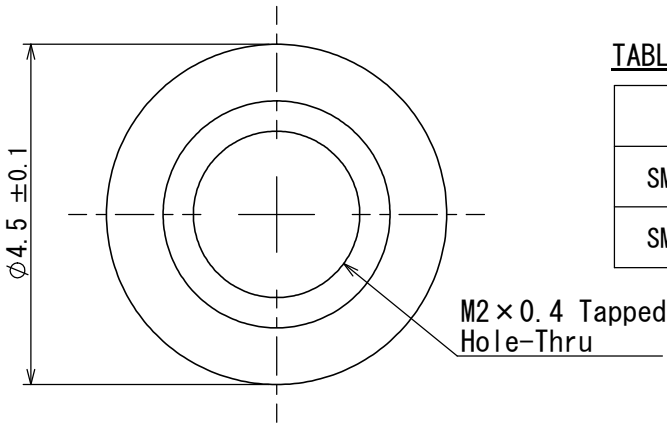
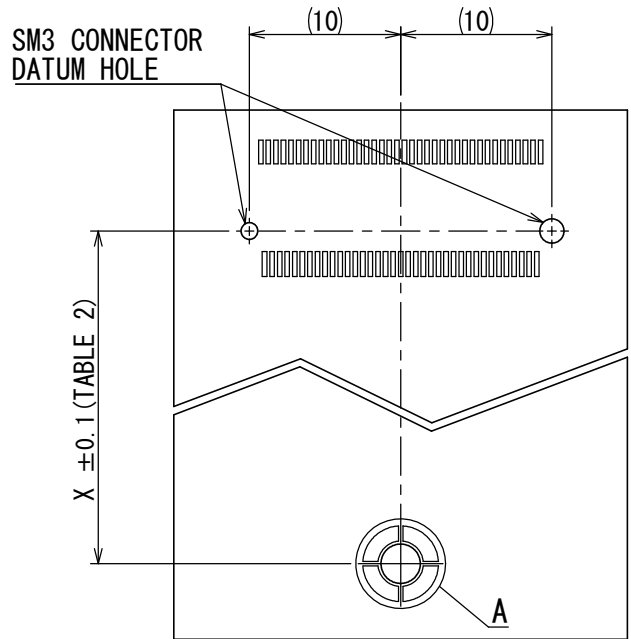
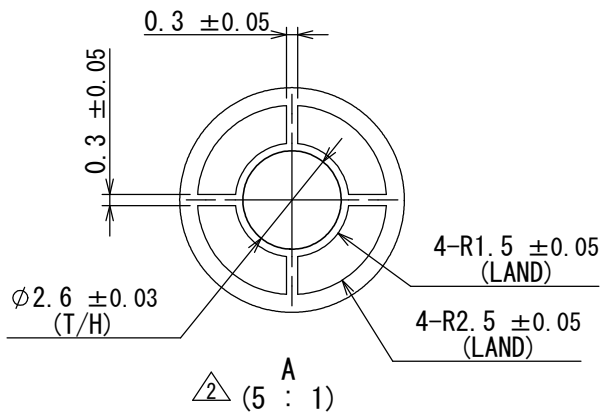
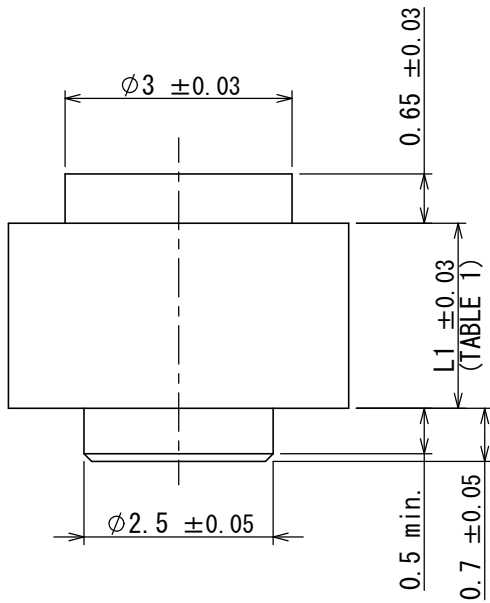


TABLE 1

PART NUMBER	L1	APPLICABLE CONNECTOR (DWG. NO.)
SM3ZS067U410-NUT1	2.45	SM3ZS067U410** (DWG. NO. SJ113503)
SM3ZS067U310-NUT1	1.45	SM3ZS067U310** (DWG. NO. SJ113505)

TABLE 2

Module Card Length	X
16	14.25
26	24.25
30	28.25
42	40.25
60	58.25
80	78.25
110	108.25



※ REFER TO RESPECTIVE DRAWING FOR PCB PATTERN OF CONNECTOR.

APPLICABLE P.C.B. DIMENSION (REF.)
SCALE (2:1)

1	NUT	1	BRASS	Tin plating on nickel on copper	
符号 NO.	名称 DESCRIPTION	個数 QTY.	材料 MATERIAL	仕上 FINISH	備考 REMARKS
仕様書 (SPECIFICATION) JACS-11098		第1版 (ORIGINAL DATE) 2015/03/04		名称 (TITLE) SM3ZS067U***-NUT1	
一般公差 (GENERAL TOLERANCE)		製図 DR.		日本航空電子工業株式会社	
寸法 (DIMENSION)		担当 CHK.		JAPAN AVIATION ELECTRONICS INDUSTRY, LTD.	
角度 (ANGLES)		査閲 APPD.			
単位 (UNIT) : mm		承認 APPD.			
<ul style="list-style-type: none"> ±0.8 × ±0.4 ×× ±0.1 ××× ± 		S. YAMAGUCHI		図面番号 (DRAWING NO.)	
<ul style="list-style-type: none"> ×° ± ×° ×' ± 		M. SASAKI		SJ116266	
		T. SHINDOU		シリーズ (SERIES) 尺度 (SCALE)	
				SM3 10:1	
				版数 (VER.)	
				2	

DCF-C-211H(12.08)

S/W

WISDOM承認 2016/06/20