



Chipsmall Limited consists of a professional team with an average of over 10 year of expertise in the distribution of electronic components. Based in Hongkong, we have already established firm and mutual-benefit business relationships with customers from,Europe,America and south Asia,supplying obsolete and hard-to-find components to meet their specific needs.

With the principle of “Quality Parts,Customers Priority,Honest Operation,and Considerate Service”,our business mainly focus on the distribution of electronic components. Line cards we deal with include Microchip,ALPS,ROHM,Xilinx,Pulse,ON,Everlight and Freescale. Main products comprise IC,Modules,Potentiometer,IC Socket,Relay,Connector.Our parts cover such applications as commercial,industrial, and automotives areas.

We are looking forward to setting up business relationship with you and hope to provide you with the best service and solution. Let us make a better world for our industry!



## Contact us

Tel: +86-755-8981 8866 Fax: +86-755-8427 6832

Email & Skype: info@chipsmall.com Web: www.chipsmall.com

Address: A1208, Overseas Decoration Building, #122 Zhenhua RD., Futian, Shenzhen, China



# SM-4

## SURFACE MOUNT CERMET TRIMMERS (12 TURNS)

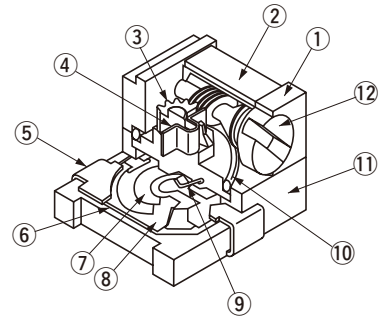
RoHS compatible



### FEATURES

- Lead-free soldering, Cadmium-free
- Fine adjustment is possible
- Automatic mounting is possible (Taping)
- Flow/reflow soldering is possible
- Sealed construction (Washable)

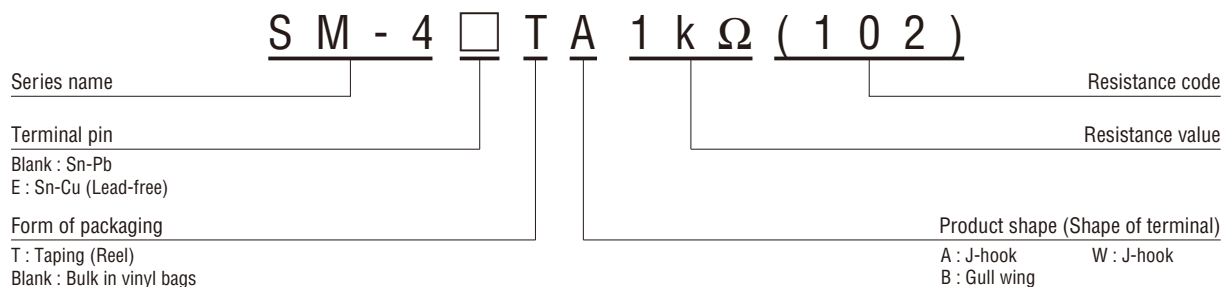
### INTERNAL STRUCTURE



Part name		Material	Flammability	
①	Housing	PPS (Polyphenylenesulphide)	UL-94V-0	
②	Cover	Stainless steel	—	
③	Rotor gear	PPS (Polyphenylenesulphide)	UL-94V-0	
④	Clutch spring	Stainless steel	—	
⑤	Terminal pin	Sn-Pb		Copper alloy, Solder-plated
		Sn-Cu		Copper, Sn-Cu-plated
⑥	Base element	Ceramic		
⑦	Resistive element	RuO <sub>2</sub> cermet		
⑧	Electrode	Ag-Pd cermet		
⑨	Wiper	Multi metal alloy		
⑩	“O” ring	Silicone rubber	UL-94HB	
⑪	Base	Epoxy	UL-94V-0	
⑫	Shaft	Metal	—	

CFCs, Halon, Carbon tetrachloride and designated bromic flame retardant PBBs and PBBs are not used in our products.

### PART NUMBER DESIGNATION



✳ Please refer to the LIST OF PART NUMBERS when placing orders.

# SM-4 SURFACE MOUNT TRIMMERS

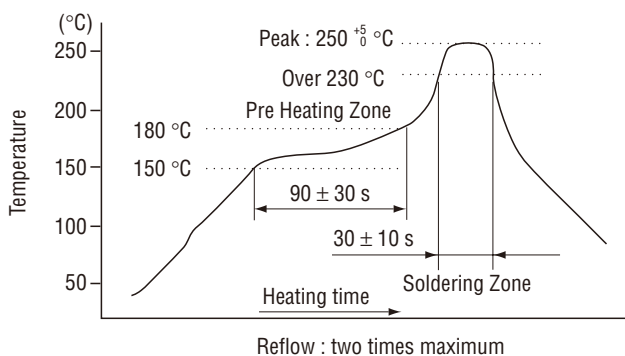
## LIST OF PART NUMBERS

Adjustment position	Shape of terminal	Form of packaging			
		Taping (reel)		Vinyl bag	
		Sn-Pb	Sn-Cu (Lead-free)	Sn-Pb	Sn-Cu (Lead-free)
Top adjustment	W (J-hook)	SM-4TW	SM-4ETW	SM-4W	SM-4EW
Side adjustment	A (J-hook)	SM-4TA	SM-4ETA	SM-4A	SM-4EA
	B (Gull wing)	SM-4TB	SM-4ETB	SM-4B	SM-4EB
Pieces in package		TW, ETW : 250 pcs./reel TA, ETA : 500 pcs./reel TB, ETB : 500 pcs./reel		50 pcs./pack	

## ELECTRICAL CHARACTERISTICS

Nominal resistance range	10 Ω ~ 2 MΩ
Resistance tolerance	± 10 %
Power ratings	0.25 W (85 °C) 0 W (150 °C)
Resistance law	Linear law (B)
Maximum input voltage	DC300 V or power rating, whichever is smaller
Maximum wiper current	100 mA or power rating, whichever is smaller
Effective electrical turn	10 turns
End resistance	1 % or 2 Ω, whichever is greater
C.R.V.	1 % or 3 Ω, whichever is greater
Operating temp. range	-65 ~ 150 °C
Temp. coefficient	±100 10 <sup>-6</sup> /°C maximum
Insulation resistance	1000 MΩ minimum (DC500 V)
Dielectric strength	AC600 V, 60 s
Net weight	Approx. 0.2 g

### <Reflow profile for soldering heat evaluation>



### <Nominal resistance values>

10 Ω	20 Ω	50 Ω	100 Ω	200 Ω	500 Ω	1 kΩ	2 kΩ	5 kΩ
10 kΩ	20 kΩ	50 kΩ	100 kΩ	200 kΩ	500 kΩ	1 MΩ	2 MΩ	

Fig. 1

The products indicated by ↻ mark are manufactured upon receipt of order basis.

※ : The above part numbers are all available with the respective combination of <Nominal resistance values> (Fig. 1).

※ : Verify the above part numbers when placing orders.

※ : Taping specification is not sold separately and must be purchased in reel units.

## MECHANICAL CHARACTERISTICS

Mechanical turn	12 turns
Operating torque	20 mN·m {204 gf·cm} maximum
Mechanical stop	Clutch action
Rotational life	200 cycles [ $\Delta R/R \leq \pm (3 \Omega + 3 \%)$ ]
Thrust to shaft	5 N {0.51 kgf} minimum
Solderability	Sn-Pb : 235 °C, 2 s Sn-Cu (Lead-free) : 245 ± 3 °C, 2 ~ 3 s
Shear (Adhesion)	5 N {0.51 kgf} 10 s
Substrate bending	Width 90 mm, bend 3 mm, 5 s, 1 time
Pull-off strength	5 N {0.51 kgf} 10 s

{ } : Reference only

## ENVIRONMENTAL CHARACTERISTICS

Test item	Test conditions	Specifications
Thermal shock	-65 ~ 150 °C (0.5 h), 5 cycles	$[\Delta R/R \leq 2 \%$ [S.S. $\leq 1 \%$ ]
Humidity	-10 ~ 65 °C (Relative humidity 80 ~ 98 %), 10 cycles, 240 h	$[\Delta R/R \leq 2 \%$ ]
Shock	981 m/s <sup>2</sup> , 6 ms 6 directions for 3 times each	$[\Delta R/R \leq 1 \%$ [S.S. $\leq 1 \%$ ]
Vibration	Amplitude 1.52 mm or Acceleration 196 m/s <sup>2</sup> , 10 ~ 2000 Hz, 3 directions, 12 times each	
Load life	85 °C, 0.25 W, 1000 h	$[\Delta R/R \leq 2 \%$ [S.S. $\leq 1 \%$ ]
Low temp. operation	-65 °C, 2 h	$[\Delta R/R \leq 1 \%$ [S.S. $\leq 1 \%$ ]
High temp. exposure	150 °C, 250 h	$[\Delta R/R \leq 2 \%$ [S.S. $\leq 1 \%$ ]
Immersion seal	85 °C, 60 s	No leaks (No continuous bubbles)
Soldering heat	Sn-Pb 260 °C, 10 s or 215 °C, 35 s	$[\Delta R/R \leq 1 \%$
	Sn-Cu Flow : 260 ± 3 °C as the temperature in a pot of molten solder, immersion from head of terminal to backside of board, 5 ~ 6 s, two times maximum Reflow : Peak temperature 255 °C (Please refer to the profile below.) Manual soldering : 350 ± 10 °C, 3 ~ 4 s	

$\Delta R/R$  : Change in total resistance  
S.S. : Setting stability

# SM-4 SURFACE MOUNT TRIMMERS

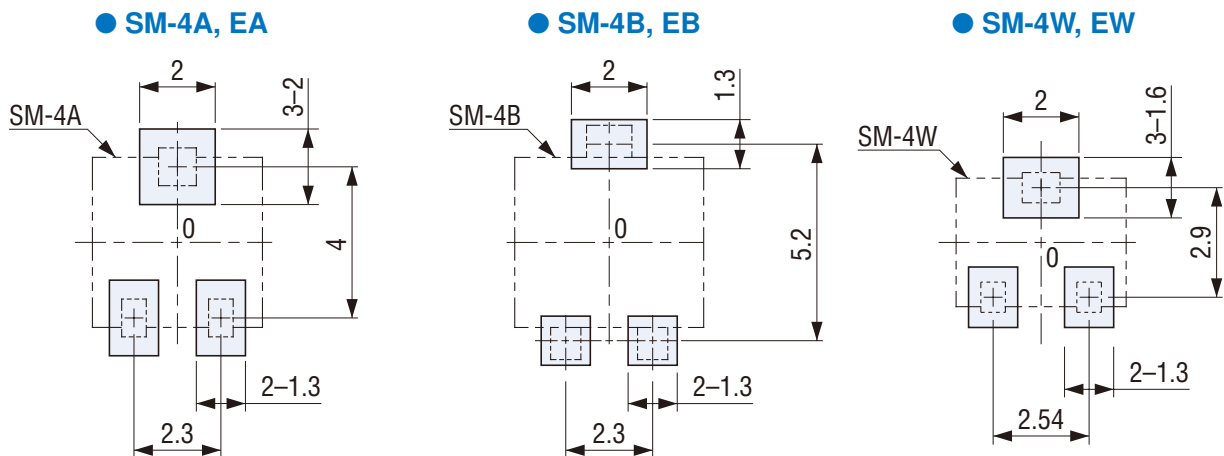
## MAXIMUM INPUT RATINGS

Nominal resistance values ( $\Omega$ )	Resistance code	Maximum input voltage (V)	Maximum wiper current (mA)
➡ 10	100	1.00	100
➡ 20	200	2.00	100
50	500	3.53	70.7
100	101	5.00	50.0
200	201	7.07	35.4
500	501	11.2	22.4
1 k	102	15.8	15.8
2 k	202	22.4	11.2
5 k	502	35.4	7.07
10 k	103	50.0	5.00
20 k	203	70.7	3.54
50 k	503	112	2.24
100 k	104	158	1.58
200 k	204	223	1.12
500 k	504	300	0.60
1 M	105	300	0.30
2 M	205	300	0.15

The products indicated by ➡ mark are manufactured upon receipt of order basis.

## RECOMMENDED P.C.B. PAD OUTLINE DIMENSIONS

(Unit: mm)

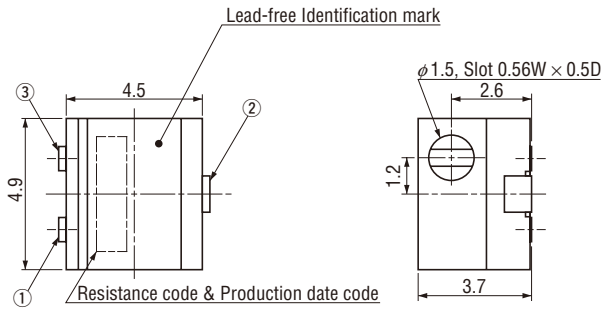


Note) The zero point is the center of mounting.

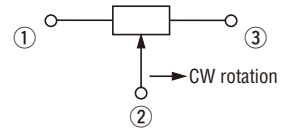
# SM-4 SURFACE MOUNT TRIMMERS

## OUTLINE DIMENSIONS

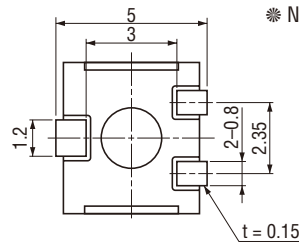
### SM-4A, SM-4EA Side adjustment



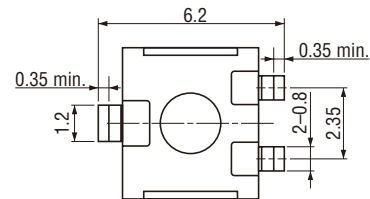
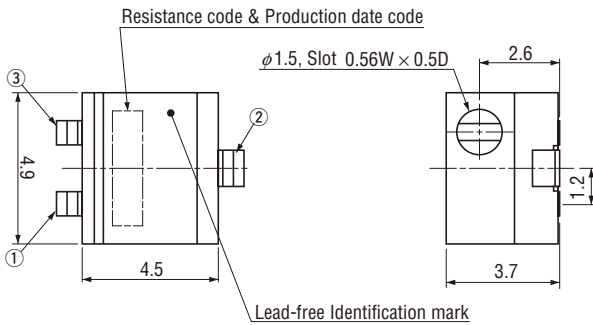
Unless otherwise specified, tolerance :  $\pm 0.3$  (Unit : mm)



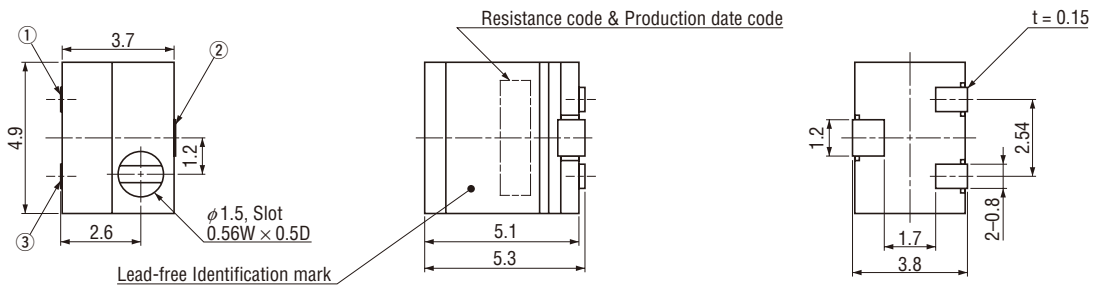
※ Note the terminal position.



### SM-4B, SM-4EB Side adjustment



### SM-4W, SM-4EW Top adjustment



# SM-4 SURFACE MOUNT TRIMMERS

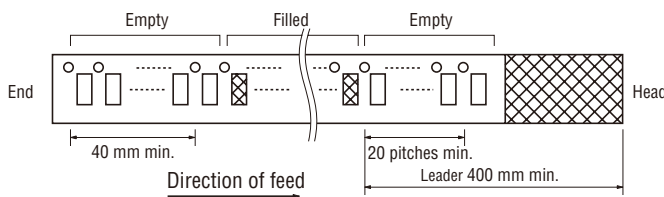
## ■ PACKAGING SPECIFICATIONS

### <Taping packaging specifications>

- Taping version (SM-4TA, TB, ETA, ETB types) are packaged in 500 pcs. per reel.  
Orders will be accepted for units of 500 pcs., i.e., 500, 1000, 1500 pcs., etc.  
SM-4TW, ETW types are packaged in 250 pcs. per reel.  
Orders will be accepted for units of 250 pcs., i.e., 500, 750 pcs., etc.
- Taping version is boxed with one reel.

Maximum number of consecutive missing pieces = 2  
Leader length and reel dimension are shown in the dia-grams below.

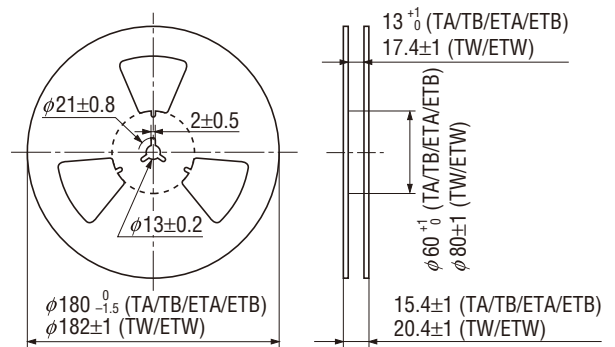
## ● EMBOSSED TAPE DIMENSIONS



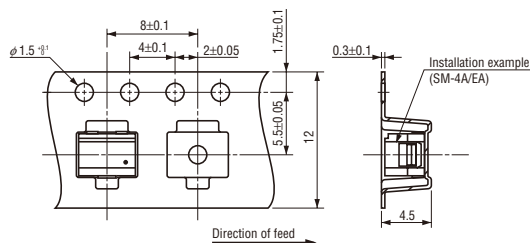
## ● REEL DIMENSIONS

(Conforms to JIS C 0806-3)  
(TA/TB type : In accordance with EIAJ ET-7200A)

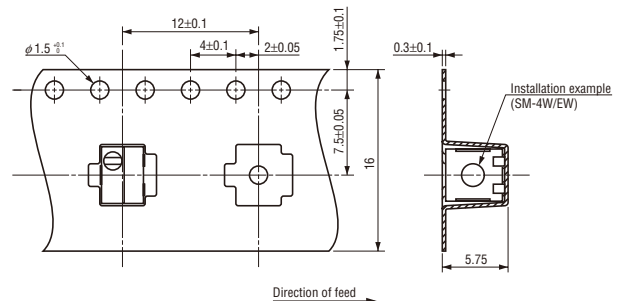
(Unit: mm)



## ● SM-4TA/TB/ETA/ETB



## ● SM-4TW/ETW



### <Vinyl bag packaging specifications>

- Unit of bulk in vinyl bag packaging is 50 pcs. per pack.
- Boxing of bulk in vinyl bags is performed with 200 pcs. per box.