



Chipsmall Limited consists of a professional team with an average of over 10 year of expertise in the distribution of electronic components. Based in Hongkong, we have already established firm and mutual-benefit business relationships with customers from,Europe,America and south Asia,supplying obsolete and hard-to-find components to meet their specific needs.

With the principle of “Quality Parts,Customers Priority,Honest Operation,and Considerate Service”,our business mainly focus on the distribution of electronic components. Line cards we deal with include Microchip,ALPS,ROHM,Xilinx,Pulse,ON,Everlight and Freescale. Main products comprise IC,Modules,Potentiometer,IC Socket,Relay,Connector.Our parts cover such applications as commercial,industrial, and automotives areas.

We are looking forward to setting up business relationship with you and hope to provide you with the best service and solution. Let us make a better world for our industry!



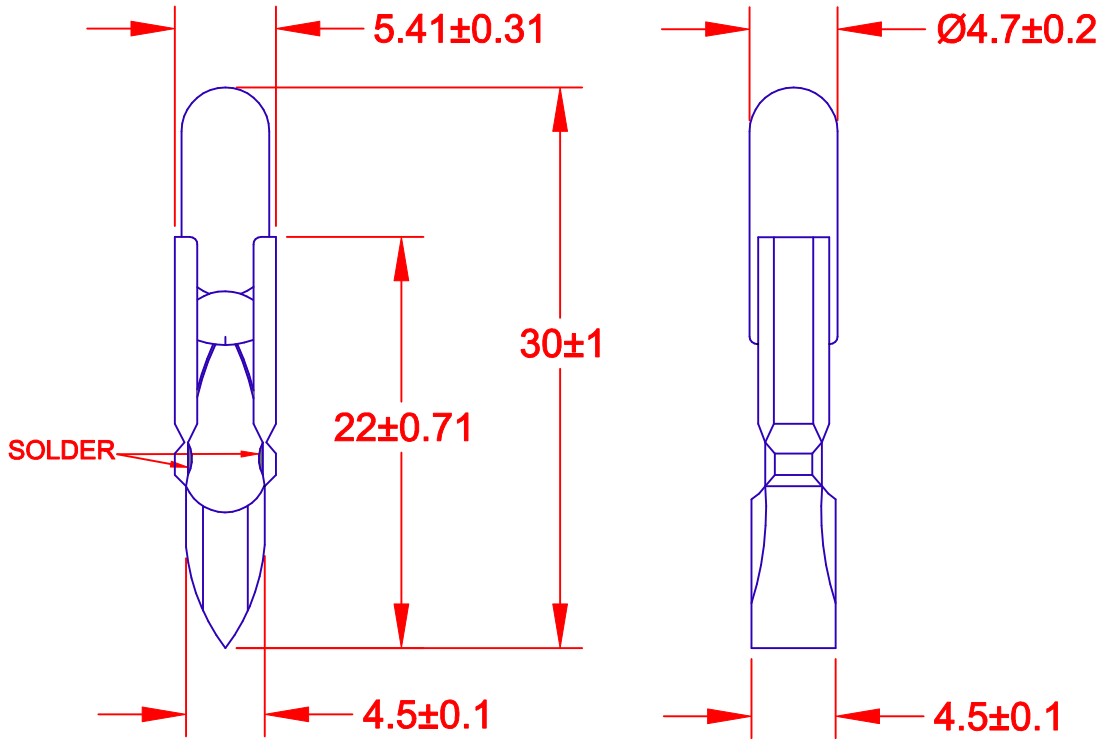
Contact us

Tel: +86-755-8981 8866 Fax: +86-755-8427 6832

Email & Skype: info@chipsmall.com Web: www.chipsmall.com

Address: A1208, Overseas Decoration Building, #122 Zhenhua RD., Futian, Shenzhen, China





JKL LAMP NUMBER	VOLTS RATED	AMPS ±10%	MSCP ±25%	LUMENS ±25%	AVERAGE LIFE HRS.	FILAMENT TYPE
SM0640L	6.0	.040	.048	0.60	5,000	C-2R
SM0650L	6.0	.050	.080	1.01	5,000	C-2R
SM06200L	6.0	.200	.344	4.20	5,000	C-2V
SM1220L	12.0	.020	.032	0.40	5,000	C-2V
SM1240L	12.0	.040	.088	1.11	5,000	C-2V
SM1250L	12.0	.050	.159	2.00	5,000	C-2V
SM12100L	12.0	.100	.255	3.21	5,000	C-2V
SM2420L	24.0	.020	.064	0.80	5,000	C-2F
SM2430L	24.0	.030	.159	2.00	5,000	C-2F
SM2440L	24.0	.040	.239	3.00	5,000	C-2F
SM2450L	24.0	.050	.279	3.51	5,000	C-2F
SM2480L	24.0	.080	.374	4.70	5,000	C-2F
SM2840L	28.0	.040	.303	3.81	5,000	C-2F
SM2850L	28.0	.050	.279	3.51	5,000	C-2F
SM3020L	30.0	.020	.104	1.31	5,000	C-2F
SM3040L	30.0	.040	.287	3.61	5,000	C-2F
SM3620L	36.0	.020	.143	1.80	5,000	C-2F
SM3640L	36.0	.040	.358	4.50	5,000	C-2F
SM3650L	36.0	.050	.400	5.10	5,000	C-2F
SM4820L	48.0	.020	.127	1.60	5,000	CC-2F
SM6020L	60.0	.020	.191	2.40	5,000	CC-2F

		 THIRD ANGLE PROJECTION		METRIC DIMENSIONS ARE IN MILLIMETERS TOLERANCE UNLESS OTHERWISE SPECIFIED 1 PL +/- 0.2 2 PL +/- ANGLE +/- 0		JKL COMPONENTS CORPORATION					
		DRAWN BY L. WENGSTROM		APP'VD BY DATE QC 8/16/00		TITLE T-1 1/2 TELEPHONE SLIDE BASE LILIPUT T5.5		FSCM NO. 55335		DRAWING NO. SLIDE BASE LILIPUT T5.5	
RELEASED		8/16/00		- CAD DRAWING -		SCALE NONE		RELEASED DATE 8/16/00		REVISION DATE	
REV. NO.	DESCRIPTION/ECO NUMBER	APP'VD DATE	MANUAL REVISIONS NOT PERMITTED					REV. NO.	SHEET 1 of 1		