



Chipsmall Limited consists of a professional team with an average of over 10 year of expertise in the distribution of electronic components. Based in Hongkong, we have already established firm and mutual-benefit business relationships with customers from,Europe,America and south Asia,supplying obsolete and hard-to-find components to meet their specific needs.

With the principle of "Quality Parts,Customers Priority,Honest Operation,and Considerate Service",our business mainly focus on the distribution of electronic components. Line cards we deal with include Microchip,ALPS,ROHM,Xilinx,Pulse,ON,Everlight and Freescale. Main products comprise IC,Modules,Potentiometer,IC Socket,Relay,Connector.Our parts cover such applications as commercial,industrial, and automotives areas.

We are looking forward to setting up business relationship with you and hope to provide you with the best service and solution. Let us make a better world for our industry!



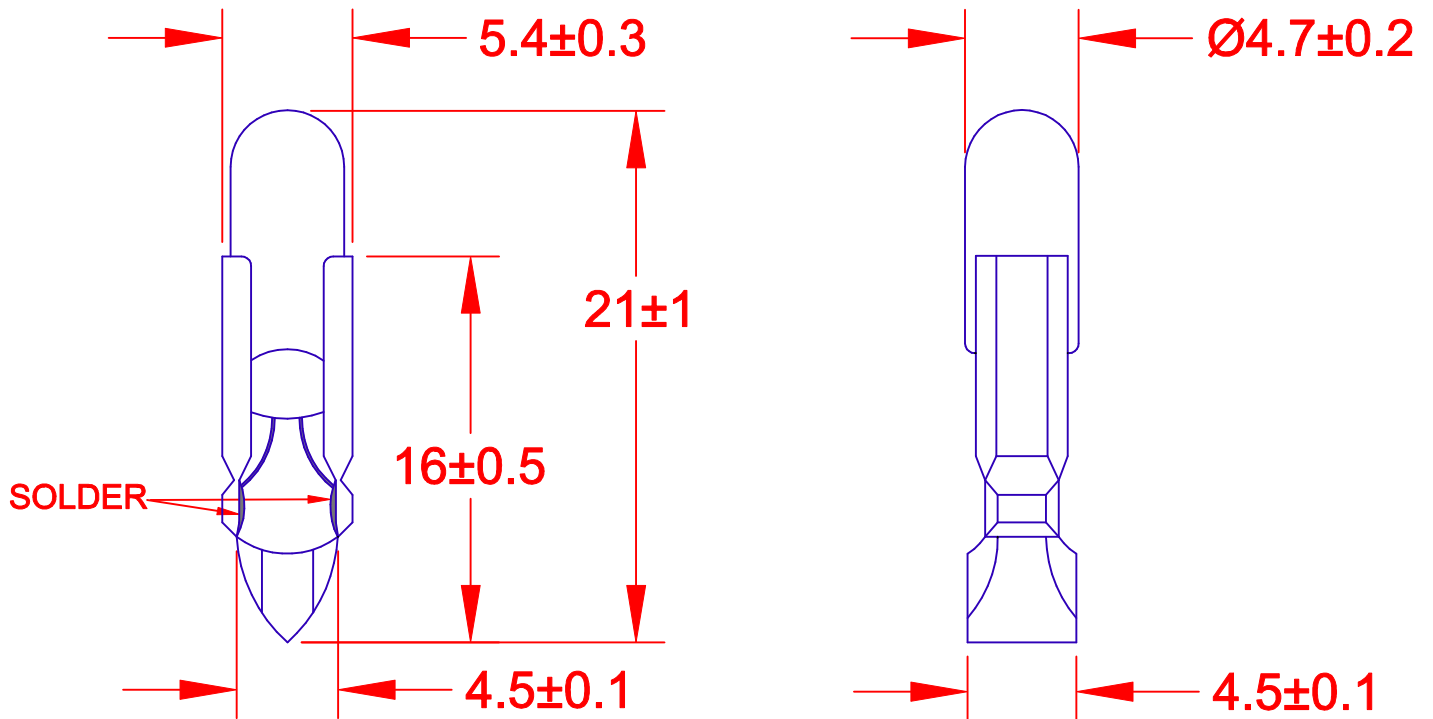
Contact us

Tel: +86-755-8981 8866 Fax: +86-755-8427 6832

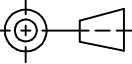
Email & Skype: info@chipsmall.com Web: www.chipsmall.com

Address: A1208, Overseas Decoration Building, #122 Zhenhua RD., Futian, Shenzhen, China





JKL LAMP NUMBER	VOLTS RATED	AMPS ±10%	MSCP ±25%	LUMENS ±25%	AVERAGE LIFE HRS.	FILAMENT TYPE
SM0620S	6.0	.020	.024	0.30	5,000	C-6
SM0640S	6.0	.040	.048	0.60	5,000	C-2V
SM1220S	12.0	.020	.032	0.40	5,000	C-2V
SM1240S	12.0	.040	.088	1.11	5,000	C-2V
SM1250S	12.0	.050	.159	2.00	5,000	C-2V
SM2420S	24.0	.020	.064	0.80	5,000	C-2F
SM2430S	24.0	.030	.159	2.00	5,000	C-2F
SM2440S	24.0	.040	.239	3.00	5,000	C-2F
SM2450S	24.0	.050	.279	3.51	5,000	C-2F
SM2850S	28.0	.050	.279	3.51	5,000	C-2F
SM3020S	30.0	.020	.104	1.31	5,000	C-2F
SM3040S	30.0	.040	.287	3.61	5,000	C-2F
SM3620S	36.0	.020	.143	1.80	5,000	C-2F
SM4820S	48.0	.020	.127	1.60	5,000	CC-2F
SM6020S	60.0	.020	.191	2.40	5,000	CC-2F

		METRIC  THIRD ANGLE PROJECTION		DIMENSIONS ARE IN MILLIMETERS TOLERANCE UNLESS OTHERWISE SPECIFIED 1 PL +/- 0.2 2 PL +/- ANGLE +/- 0		JKL COMPONENTS CORPORATION			
		DRAWN BY		APPVD BY DATE		SIZE	FSCM NO.	DRAWING NO.	
		L. WENGSTROM		QC 8/16/00		A	55335	SLIDE BASE SHORT LILIPUT T5.5K	
REV. NO.		DESCRIPTION/ECO NUMBER		- CAD DRAWING - MANUAL REVISIONS NOT PERMITTED		SCALE	RELEASED DATE	REVISION DATE	SHEET
						NONE	8/16/00		1 OF 1