



Chipsmall Limited consists of a professional team with an average of over 10 year of expertise in the distribution of electronic components. Based in Hongkong, we have already established firm and mutual-benefit business relationships with customers from,Europe,America and south Asia,supplying obsolete and hard-to-find components to meet their specific needs.

With the principle of "Quality Parts,Customers Priority,Honest Operation,and Considerate Service",our business mainly focus on the distribution of electronic components. Line cards we deal with include Microchip,ALPS,ROHM,Xilinx,Pulse,ON,Everlight and Freescale. Main products comprise IC,Modules,Potentiometer,IC Socket,Relay,Connector.Our parts cover such applications as commercial,industrial, and automotives areas.

We are looking forward to setting up business relationship with you and hope to provide you with the best service and solution. Let us make a better world for our industry!



Contact us

Tel: +86-755-8981 8866 Fax: +86-755-8427 6832

Email & Skype: info@chipsmall.com Web: www.chipsmall.com

Address: A1208, Overseas Decoration Building, #122 Zhenhua RD., Futian, Shenzhen, China



DESIGNED & DIMENSIONED
IN MILLIMETERS [INCHES]

THIS PRODUCT MANUFACTURED
WITH LEAD-FREE PROCESSING

SMA-J-P-X-ST-EM3

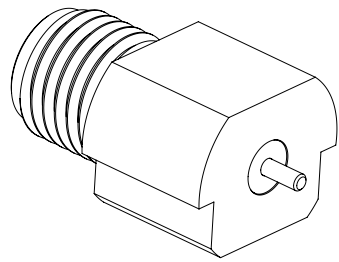
GENDER
-J: JACK

TYPE
-P: PCB

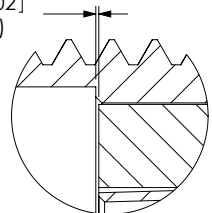
TERMINATION
-EM3: DROP-IN EDGE MOUNT

ORIENTATION
-ST: STRAIGHT

DO NOT
SCALE FROM
THIS PRINT



0.05±0.05 [.002±.002]
(TO INSULATOR)

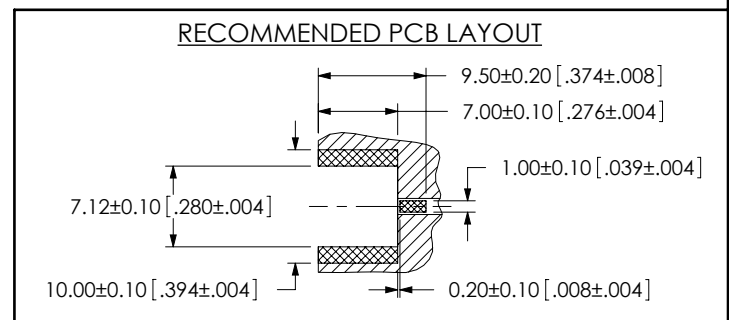
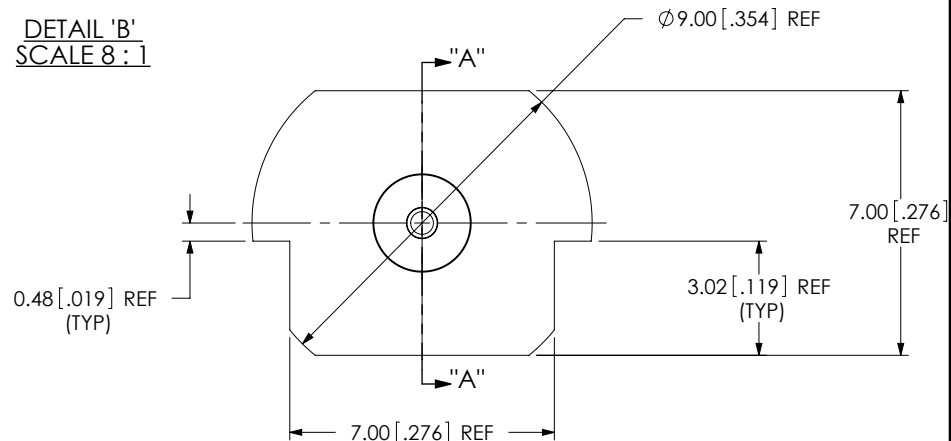
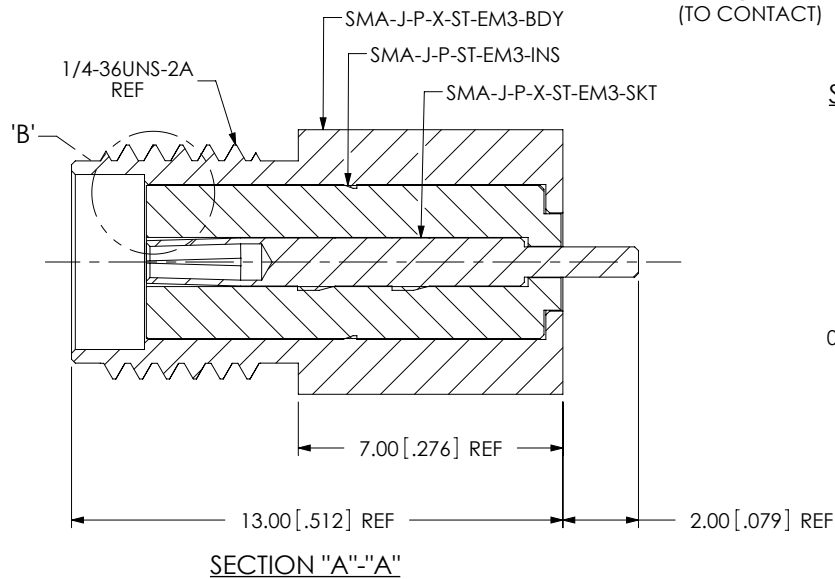


0.05±0.05 [.002±.002]
(TO CONTACT)

PLATING SPECIFICATION

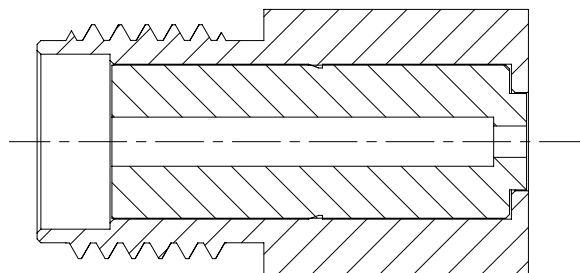
-H: HEAVY GOLD/FLASH GOLD (SEE NOTES 7 & 8)
(SMA-J-P-F-ST-EM3-BDY)
(SMA-J-P-H-ST-EM3-SKT)
(SMA-J-P-ST-EM3-INS)

DETAIL 'B'
SCALE 8:1

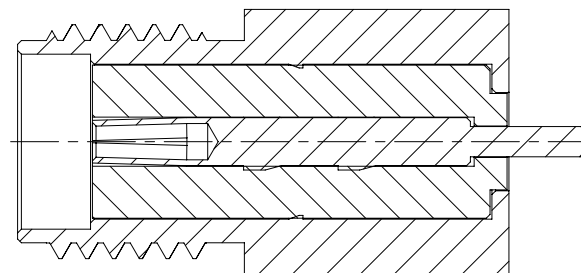


- NOTES:
- ⊕ REPRESENTS A CRITICAL DIMENSION.
 - PUSHOUT FORCE FOR INSULATOR: 44.48 N [10 LBS] MIN.
 - PUSHOUT FORCE FOR CENTER CONTACT: 13.35 N [3 LBS] MIN.
 - PRODUCT TO BE PACKAGED PER PACKAGING STANDARD CO-RF-WI-3040-M.
 - TRAY: TY-SMA001-1; COVER: TY-SMA001-2.
 - RoHS COMPLIANT.
 - COMPONENT PLATING DESIGNATIONS:
-H: 0.000030" MIN. GOLD OVER 0.000050" MIN. NICKEL.
-F: 0.000003" MIN. GOLD OVER 0.000050" MIN. NICKEL.
 - ASSEMBLY PLATING DESIGNATIONS:
-H: (CENTER CONTACT)-H
(OUTER CONTACT) -F

<p>UNLESS OTHERWISE SPECIFIED, DIMENSIONS ARE IN MILLIMETERS. TOLERANCES ARE: DECIMALS ANGLES X.X: ±0.3 [.01] 5° X.XX: ±0.13 [.005] X.XXX: ±0.051 [.0020]</p>	<p>PROPRIETARY NOTE THIS DOCUMENT CONTAINS INFORMATION CONFIDENTIAL AND PROPRIETARY TO SAMTEC, INC. AND SHALL NOT BE REPRODUCED OR TRANSFERRED TO OTHER DOCUMENTS OR DISCLOSED TO OTHERS OR USED FOR ANY PURPOSE OTHER THAN THAT WHICH IT WAS OBTAINED WITHOUT THE EXPRESSED WRITTEN CONSENT OF SAMTEC, INC.</p>	 520 PARK EAST BLVD, NEW ALBANY, IN 47150 PHONE: 812-944-6733 FAX: 812-948-5047 e-Mail info@SAMTEC.com code 53322
<p>MATERIAL: DO NOT SCALE DRAWING SHEET SCALE: 5:1 BODY: BRASS CONTACT: COPPER ALLOY DIELECTRIC: PTFE</p>	<p>DESCRIPTION: SMA STRAIGHT, EDGE MOUNTING, JACK, 50 OHM DWG. NO. SMA-J-P-X-ST-EM3</p>	<p>BY: ALVIN W 07/25/2010 SHEET 1 OF 2</p>



IN-PROCESS 1
INSERT INSULATOR



IN-PROCESS 2
INSERT CONTACT

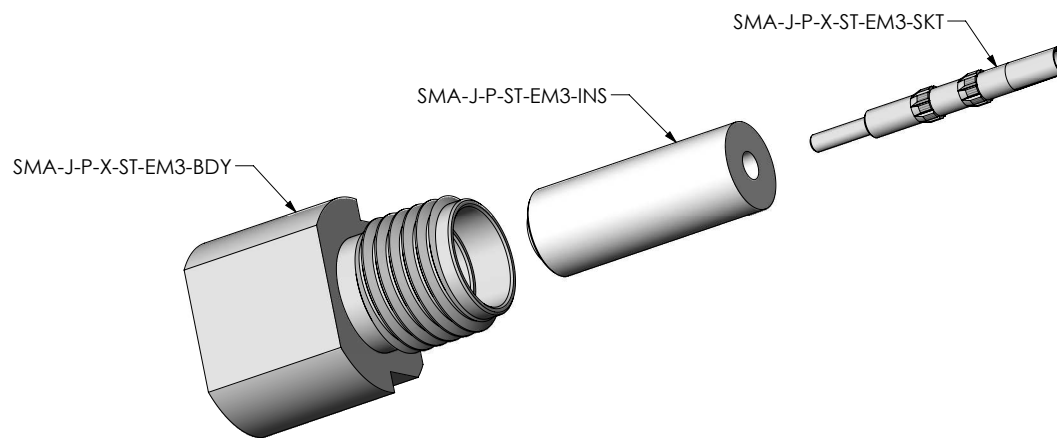


FIG 2
SMA-J-P-X-ST-EM3 SHONW

PROPRIETARY NOTE
THIS DOCUMENT CONTAINS INFORMATION
CONFIDENTIAL AND PROPRIETARY TO
SAMTEC, INC. AND SHALL NOT BE REPRODUCED
OR TRANSFERRED TO OTHER DOCUMENTS OR
DISCLOSED TO OTHERS OR USED FOR ANY
PURPOSE OTHER THAN THAT WHICH IT WAS
OBTAINED WITHOUT THE EXPRESSED WRITTEN
CONSENT OF SAMTEC, INC.

DO NOT SCALE DRAWING

SHEET SCALE: 5:1

samtec

520 PARK EAST BLVD, NEW ALBANY, IN 47150
PHONE: 812-944-6733 FAX: 812-948-5047
e-Mail info@SAMTEC.com code 55322

DESCRIPTION:
SMA STRAIGHT, EDGE MOUNTING, JACK, 50 OHM

DWG. NO. SMA-J-P-X-ST-EM3

BY: ALVIN W 07/25/2010 SHEET 2 OF 2