



Chipsmall Limited consists of a professional team with an average of over 10 year of expertise in the distribution of electronic components. Based in Hongkong, we have already established firm and mutual-benefit business relationships with customers from,Europe,America and south Asia,supplying obsolete and hard-to-find components to meet their specific needs.

With the principle of "Quality Parts,Customers Priority,Honest Operation,and Considerate Service",our business mainly focus on the distribution of electronic components. Line cards we deal with include Microchip,ALPS,ROHM,Xilinx,Pulse,ON,Everlight and Freescale. Main products comprise IC,Modules,Potentiometer,IC Socket,Relay,Connector.Our parts cover such applications as commercial,industrial, and automotives areas.

We are looking forward to setting up business relationship with you and hope to provide you with the best service and solution. Let us make a better world for our industry!



Contact us

Tel: +86-755-8981 8866 Fax: +86-755-8427 6832

Email & Skype: info@chipsmall.com Web: www.chipsmall.com

Address: A1208, Overseas Decoration Building, #122 Zhenhua RD., Futian, Shenzhen, China



REVISION D

DO NOT SCALE FROM THIS PRINT

DESIGNED & DIMENSIONED IN MILLIMETERS [INCHES]

SMA-J-P-X-ST-MT1

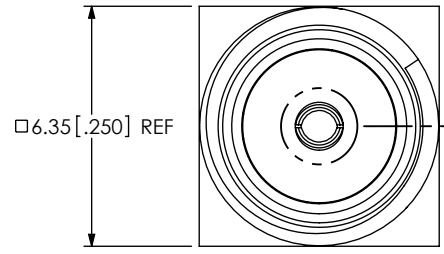
GENDER
-J: JACK

TYPE
-P: PCB

TERMINATION
-MT1: MIXED TECHNOLOGY

ORIENTATION
-ST: STRAIGHT

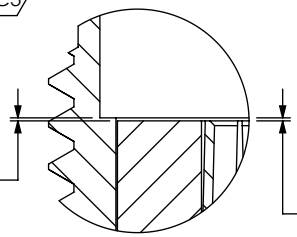
PLATING SPECIFICATIONS
-H: HEAVY GOLD (SEE NOTES 7 & 8)
(MCX-J-P-F-ST-MT1-SHL)
(MCX-J-P-H-ST-MT1-SKT)
(MCX-J-P-ST-MT1-INS)



DETAIL 'D'
SCALE 8 : 1

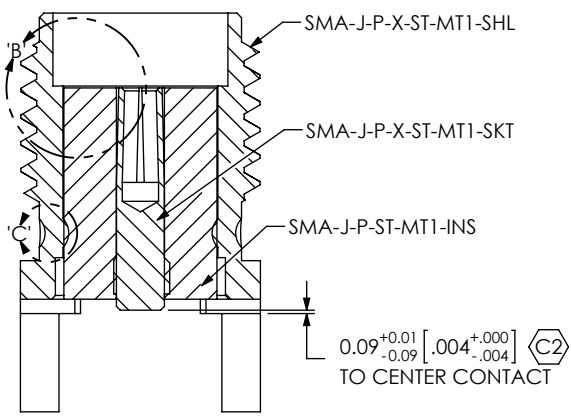
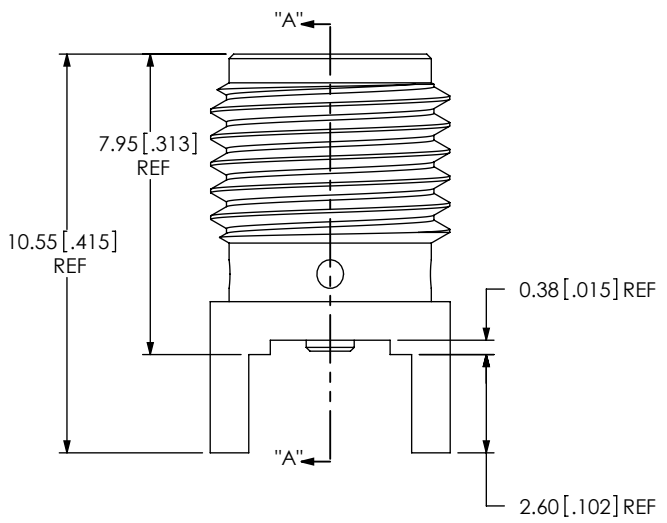
0.84±0.03 [.033±.001] $\text{\textcircled{C}3}$

0.05±0.05 [.002±.002] (TO INSULATOR) $\text{\textcircled{C}1}$



DETAIL 'B'
SCALE 8 : 1

0.05^{+0.20}_{-0.05} [.002^{+0.008}_{-0.002}] REF (TO CONTACT)



SECTION "A"- "A"

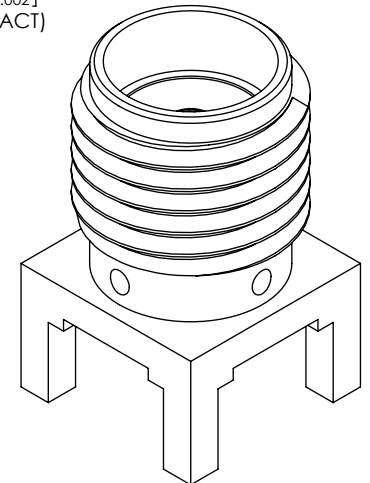
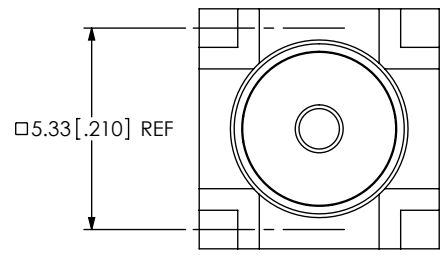
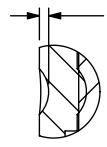


FIG 1
SMA-J-C-X-ST-MT1 SHOWN



1.02 [.040] REF (4 PLCS)

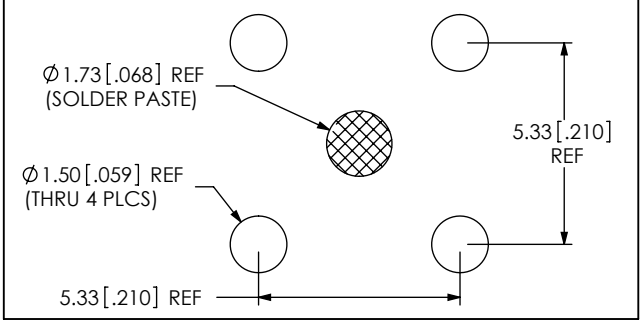
0.15 [.006] TYP (4 PLCS) (SEE NOTE 2)



DETAIL 'C'
SCALE 8 : 1

THIS PRODUCT MANUFACTURED WITH LEAD-FREE PROCESSING

RECOMMENDED PCB LAYOUT



NOTES:

- $\text{\textcircled{C}}$ REPRESENTS A CRITICAL DIMENSION.
- STAKE AROUND CIRCUMFERENCE 4 INDENTS EQUALLY SPACED.
- PUSHOUT FORCE FOR INSULATOR: 44.48 N [10 LB] MIN.
- CENTER CONTACT PUSHOUT FORCE: 13.35 N [3 LB] MIN.
- PARTS TO BE PACKAGED PER PACKAGING STANDARD CO-HD-WI-3033-M.
- RoHS COMPLIANT.
- PLATING: -H: .000030" MIN. GOLD OVER .000050" MIN. NICKEL.
-F: .000003" MIN. GOLD OVER .000050" MIN. NICKEL.
- ASSEMBLY PLATING DESIGNATIONS:
-H: (CENTER CONTACT)-H
-F: (OUTER CONTACT)-F

F:\DWG\MISC\MKTG\SMA-J-P-X-ST-MT1-MKT.SLDDRW

UNLESS OTHERWISE SPECIFIED DIMENSIONS ARE IN MILLIMETERS [INCHES]	PROPRIETARY NOTE THIS DOCUMENT CONTAINS INFORMATION CONFIDENTIAL AND PROPRIETARY TO SAMTEC, INC. AND SHALL NOT BE REPRODUCED OR TRANSFERRED TO OTHER DOCUMENTS OR DISCLOSED TO OTHERS OR USED FOR ANY PURPOSE OTHER THAN THAT WHICH IT WAS OBTAINED WITHOUT THE EXPRESSED WRITTEN CONSENT OF SAMTEC, INC.
TOLERANCES ARE: DECIMALS ANGLES .X: ±0.3 [.01] 2° .XX: ±0.13 [.005] .XXX: ±0.051 [.0020]	
MATERIAL: SHELL: BRASS CONTACT: COPPER ALLOY DIELECTRIC: PTFE	DO NOT SCALE DRAWING SHEET SCALE: 5:1

samtec	
520 PARK EAST BLVD, NEW ALBANY, IN 47150 PHONE: 812-944-6733 FAX: 812-948-5047 e-Mail: info@SAMTEC.com code: 55322	
DESCRIPTION:	SMA MIXED TECHNOLOGY
DWG. NO.	SMA-J-P-X-ST-MT1
BY: G. HERMAN	07/20/2009 SHEET 1 OF 1