



Chipsmall Limited consists of a professional team with an average of over 10 year of expertise in the distribution of electronic components. Based in Hongkong, we have already established firm and mutual-benefit business relationships with customers from,Europe,America and south Asia,supplying obsolete and hard-to-find components to meet their specific needs.

With the principle of “Quality Parts,Customers Priority,Honest Operation,and Considerate Service”,our business mainly focus on the distribution of electronic components. Line cards we deal with include Microchip,ALPS,ROHM,Xilinx,Pulse,ON,Everlight and Freescale. Main products comprise IC,Modules,Potentiometer,IC Socket,Relay,Connector.Our parts cover such applications as commercial,industrial, and automotives areas.

We are looking forward to setting up business relationship with you and hope to provide you with the best service and solution. Let us make a better world for our industry!



Contact us

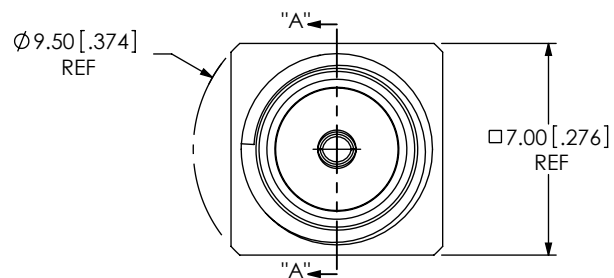
Tel: +86-755-8981 8866 Fax: +86-755-8427 6832

Email & Skype: info@chipsmall.com Web: www.chipsmall.com

Address: A1208, Overseas Decoration Building, #122 Zhenhua RD., Futian, Shenzhen, China



DO NOT SCALE FROM THIS PRINT



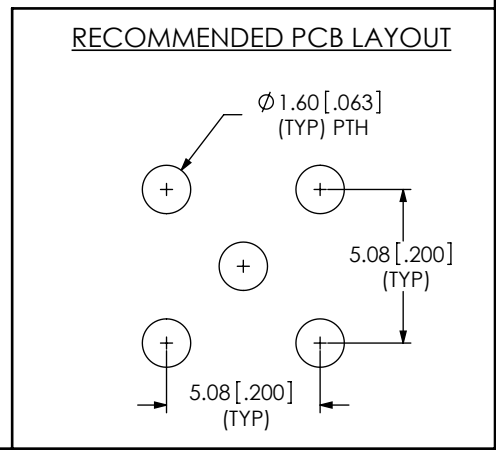
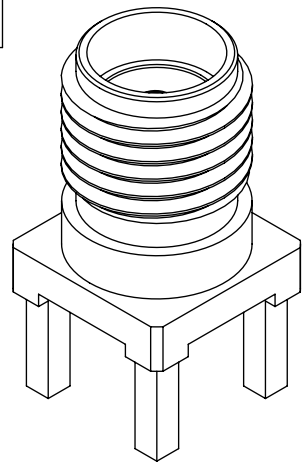
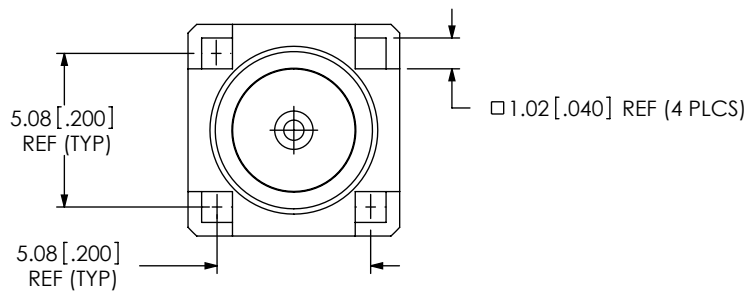
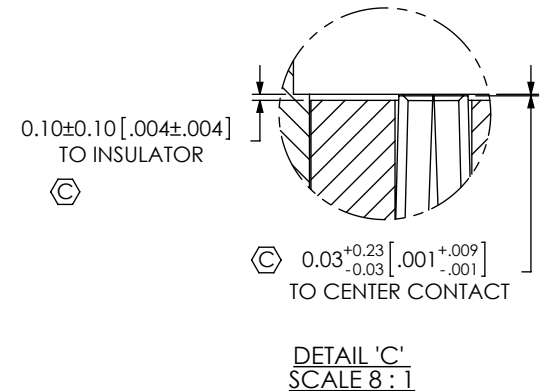
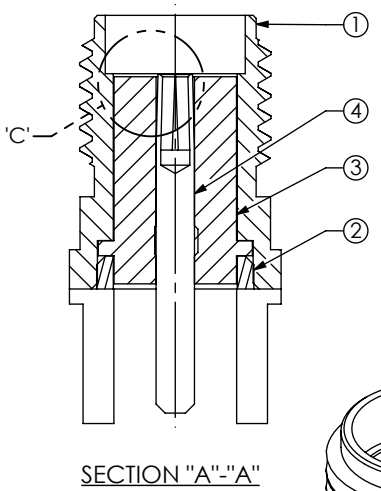
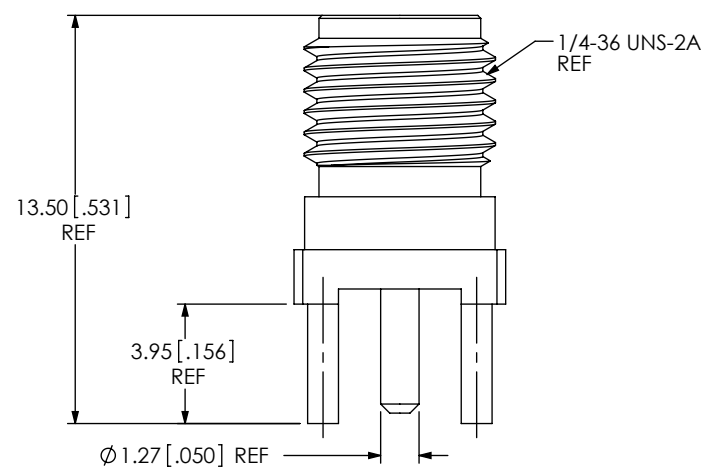
| TABLE 1 | | |
|---------|-----------|----------------------|
| ITEM | COMPONENT | -H |
| 1 | SHELL | SMA-J-P-F-ST-TH1-SHL |
| 2 | RING | SMA-J-P-F-ST-TH1-RNG |
| 3 | INSULATOR | SMA-J-P-TH1-INS |
| 4 | SOCKET | SMA-SKT-005-H |

DESIGNED & DIMENSIONED IN MILLIMETERS [INCHES]

SMA-J-P-X-ST-TH1

GENDER -J: JACK
 TYPE -P: PCB
 TERMINATION -TH1: THROUGH HOLE
 ORIENTATION -ST: STRAIGHT

PLATING SPECIFICATION
 -H: 30μ" GOLD CENTER CONTACT,
 3μ" GOLD OUTER CONTACT
 (SEE TABLE 1)



NOTES:

1. (C) REPRESENTS A CRITICAL DIMENSION.
2. MINIMUM PUSHOUT FORCE FOR INSULATOR: 44.48 N [10 LB].
3. MINIMUM CENTER CONTACT PUSHOUT FORCE: 13.35 N [3 LBS].
4. PRODUCT TO BE PACKAGED PER PACKAGING STANDARD CO-RF-WI-3040-M.
5. NOTE DELETED.
6. NOTE DELETED.
7. NOTE DELETED.

UNLESS OTHERWISE SPECIFIED, DIMENSIONS ARE IN MILLIMETERS INCHES. TOLERANCES ARE:

| | |
|-----------------------|--------|
| DECIMALS | ANGLES |
| .X: ±0.3 [0.1] | 5° |
| .XX: ±0.13 [0.05] | |
| .XXX: ±0.051 [0.0020] | |

PROPRIETARY NOTE
 THIS DOCUMENT CONTAINS INFORMATION CONFIDENTIAL AND PROPRIETARY TO SAMTEC, INC. AND SHALL NOT BE REPRODUCED OR TRANSFERRED TO OTHER DOCUMENTS OR DISCLOSED TO OTHERS OR USED FOR ANY PURPOSE OTHER THAN THAT WHICH IT WAS OBTAINED WITHOUT THE EXPRESSED WRITTEN CONSENT OF SAMTEC, INC.



520 PARK EAST BLVD, NEW ALBANY, IN 47150
 PHONE: 812-944-6733 FAX: 812-948-5047
 e-Mail: info@SAMTEC.com code: 55322

MATERIAL: DO NOT SCALE DRAWING SHEET SCALE: 4:1
 SHELL, RING: BRASS
 SOCKET: COPPER ALLOY
 DIELECTRIC: PTFE

DESCRIPTION: SMA STRAIGHT, THROUGH HOLE JACK - 50 OHM
 DWG. NO. **SMA-J-P-X-ST-TH1**
 BY: R MUSSER 01/28/2008 SHEET 1 OF 1