



Chipsmall Limited consists of a professional team with an average of over 10 year of expertise in the distribution of electronic components. Based in Hongkong, we have already established firm and mutual-benefit business relationships with customers from,Europe,America and south Asia,supplying obsolete and hard-to-find components to meet their specific needs.

With the principle of "Quality Parts,Customers Priority,Honest Operation,and Considerate Service",our business mainly focus on the distribution of electronic components. Line cards we deal with include Microchip,ALPS,ROHM,Xilinx,Pulse,ON,Everlight and Freescale. Main products comprise IC,Modules,Potentiometer,IC Socket,Relay,Connector.Our parts cover such applications as commercial,industrial, and automotives areas.

We are looking forward to setting up business relationship with you and hope to provide you with the best service and solution. Let us make a better world for our industry!



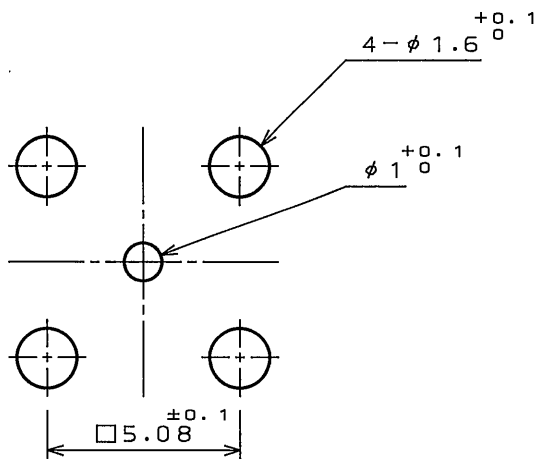
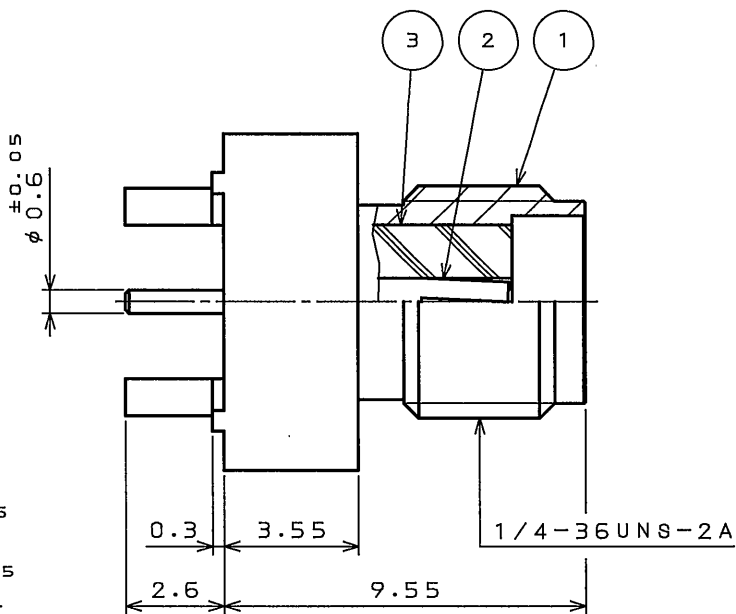
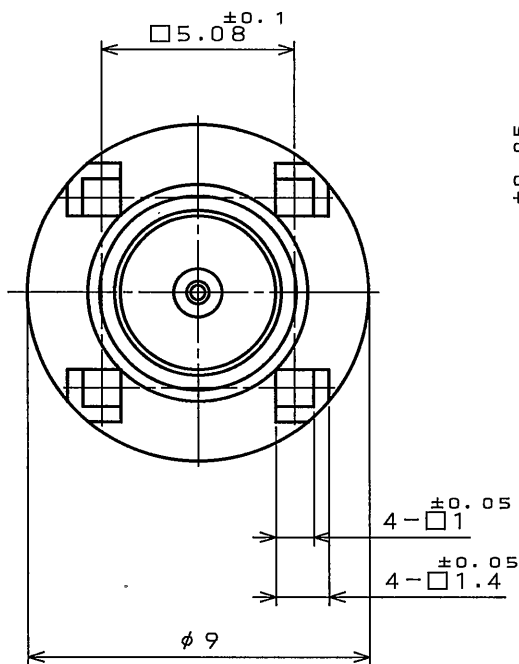
Contact us

Tel: +86-755-8981 8866 Fax: +86-755-8427 6832

Email & Skype: info@chipsmall.com Web: www.chipsmall.com

Address: A1208, Overseas Decoration Building, #122 Zhenhua RD., Futian, Shenzhen, China





取付穴参考寸法

命名法

SMAR001D00

結線タイプ
 特性インピーダンス: D=50Ω
 開発番号
 コネクタ形状: R=ストレートレセプタクル
 シリーズ名: SMA同軸コネクタ

符号 NO.	名称 DESCRIPTION	個数 QTY.	材料 MATERIAL	仕上 FINISH	備考 REMARKS
3	インシュレータ	1	4フッ化エチレン		
2	ソケットコンタクト	1	りん青銅	ニッケル上金めつき	
1	シェル	1	黄銅	ニッケルめつき	

DOF-O-211E(03.08)

仕様書 (SPECIFICATION) JACS-2056		第1版 (ORIGINAL DATE) 2004.11.5		名称 (TITLE) SMAR001D00		日本航空電子工業株式会社 JAPAN AVIATION ELECTRONICS INDUSTRY, LTD.	
公差 (GENERAL TOLERANCE)		製図 DR.		シリーズ (SERIES) SMA		図面番号 (DRAWING NO.) SJ102365	
寸法 (DIMENSION)		担当 CHK. 宮下					
角度 (ANGLES)		査閲 APPD. —					
		承認 APPD. <i>MJD</i>					
. ± 0.8		×° ±		尺度 (SCALE) 5:1		版数 (REV.) 1	
.X ± 0.4		×°X ±					
.XX ± 0.1							
.XXX ±							