



Chipsmall Limited consists of a professional team with an average of over 10 year of expertise in the distribution of electronic components. Based in Hongkong, we have already established firm and mutual-benefit business relationships with customers from,Europe,America and south Asia,supplying obsolete and hard-to-find components to meet their specific needs.

With the principle of "Quality Parts,Customers Priority,Honest Operation,and Considerate Service",our business mainly focus on the distribution of electronic components. Line cards we deal with include Microchip,ALPS,ROHM,Xilinx,Pulse,ON,Everlight and Freescale. Main products comprise IC,Modules,Potentiometer,IC Socket,Relay,Connector.Our parts cover such applications as commercial,industrial, and automotives areas.

We are looking forward to setting up business relationship with you and hope to provide you with the best service and solution. Let us make a better world for our industry!



Contact us

Tel: +86-755-8981 8866 Fax: +86-755-8427 6832

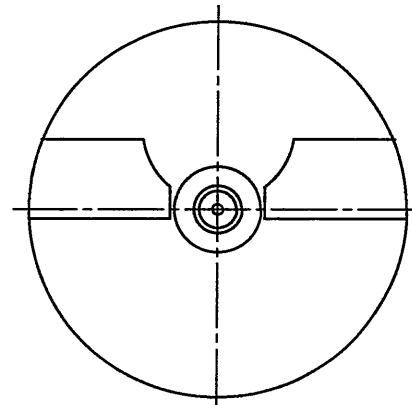
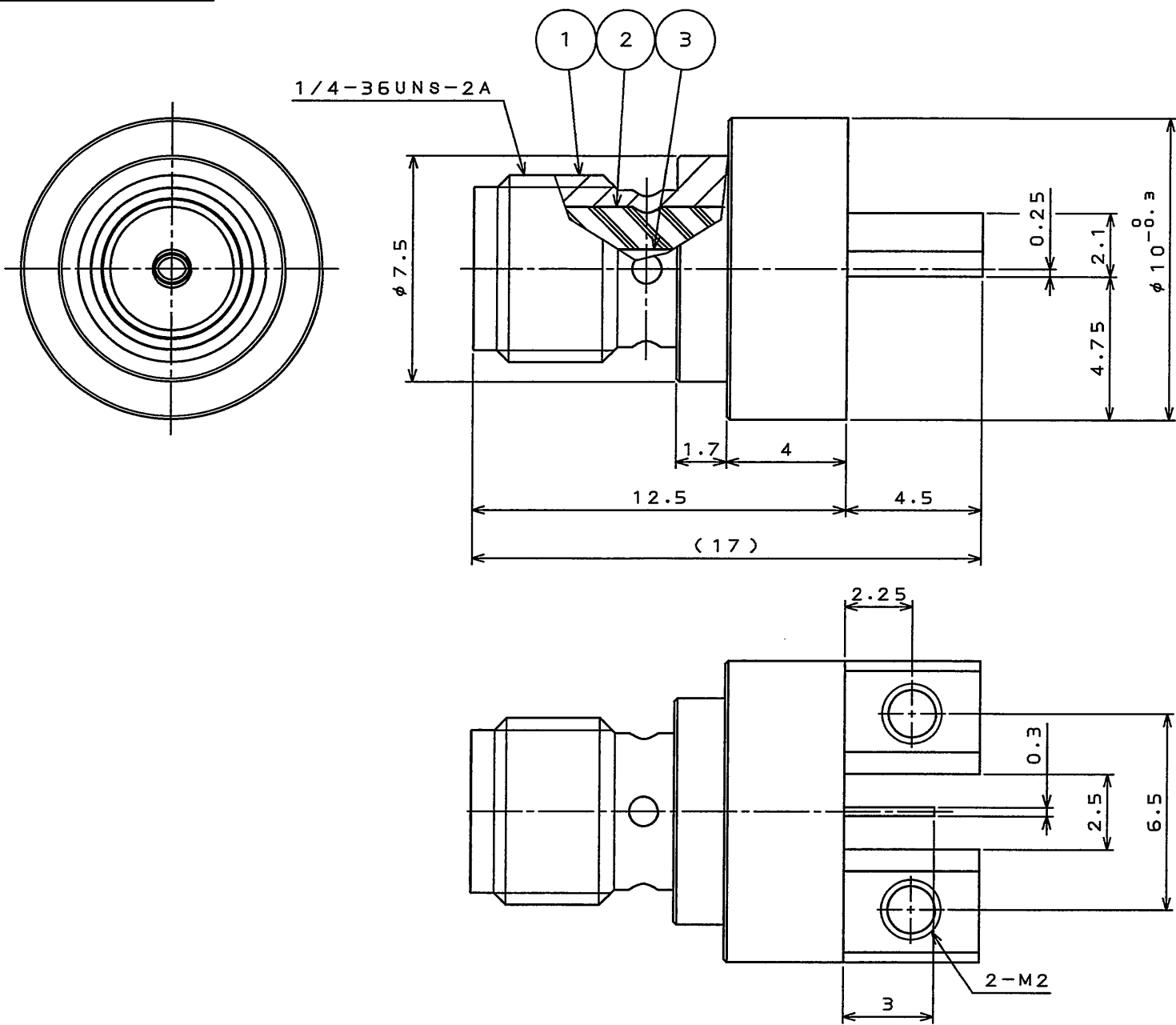
Email & Skype: info@chipsmall.com Web: www.chipsmall.com

Address: A1208, Overseas Decoration Building, #122 Zhenhua RD., Futian, Shenzhen, China



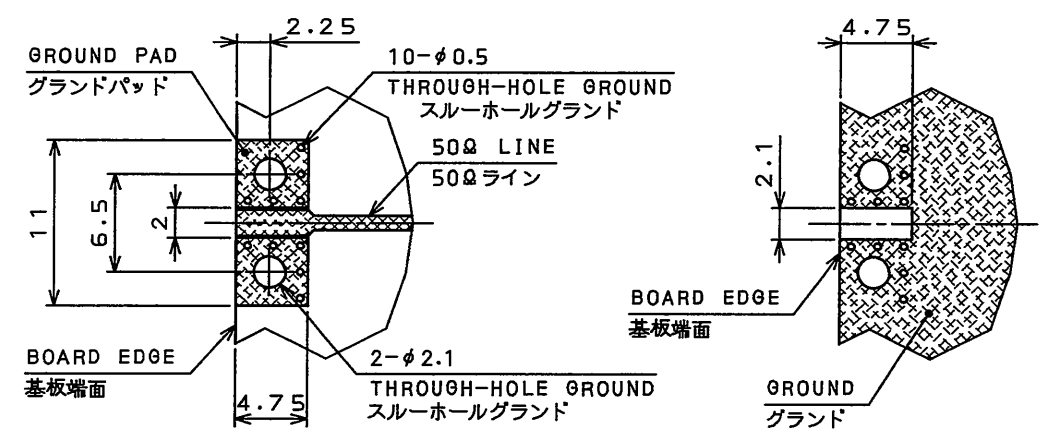
SJ112028
(ON DRAWING)台要図

版数 REV.	年月日 DATE	DCN NO.	変更内容 DESCRIPTION	製図 DR.	担当 CHK.	査閲 APPD.	承認 APPD.



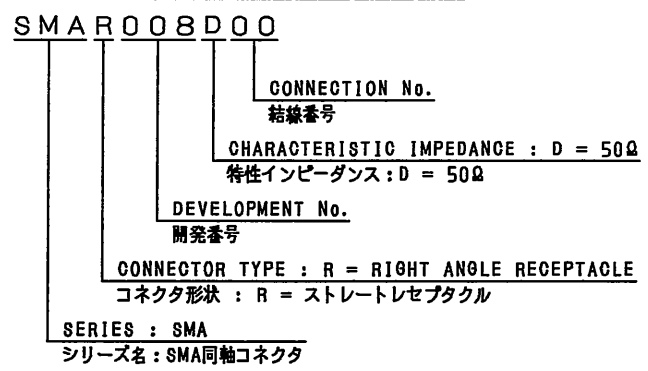
NOTE1. THIS CONNECTOR IS FIXED WITH M2 SCREWS BETWEEN THIS CONNECTOR AND PCB.
2. PIN CONTACT IS SOLDERED WITH 50Ω LINE. (SOLDER CONNECTION OF CONNECTOR AND GROUND PADS IS UNNECESSARY.)

注1. 基板への取付けはM2ねじを用いて行います。
2. ピンコンタクトと50Ωラインは半田付けにて接続します。(コネクタとグラウンドパッドとの半田付けは不要です。)



CONNECTOR MOUNTING SIDE
コネクタ実装面
GROUND SIDE
グラウンド面
MOUNTING HOLE PATTERNS (REF.)
取付穴参考寸法
(SCALE 2:1)

DESIGNATION 命名法



3	SOCKET CONTACT	1	PHOSPHOR BRONZE	GOLD PLATING OVER NICKEL	Ni:1.5μm MIN. Au:0.1μm MIN.
2	INSULATOR	1	PTFE		
1	SHELL	1	BRASS	NICKEL PLATING	Ni:1.5μm MIN.
符号 NO.	名称 DESCRIPTION	個数 QTY.	材料 MATERIAL	仕上 FINISH	備考 REMARKS
仕様書 (SPECIFICATION) JAGS-20118		第1版 (ORIGINAL DATE) 19.Jul.2011		尺度 (SCALE) 5:1	シリーズ (SERIES) SMA
公差 (GENERAL TOLERANCE)		製図 DR.	名称 (TITLE) SMAR008D00		
寸法 (DIMENSION)	角度 (ANGLES)	担当 CHK. R.KATOU	日本航空電子工業株式会社 JAPAN AVIATION ELECTRONICS INDUSTRY, LTD.		
. ±0.8	° ±	査閲 APPD. K.FURUKATSU			
.X ±0.4	°X ±	承認 APPD. T.HIYASHITA			
.XX ±0.1			質量 (MASS)	図面番号 (DRAWING NO.) SJ112028	版数 (REV.) 1
.XXX ±					

DOF-0-212F(05.08)

