



Chipsmall Limited consists of a professional team with an average of over 10 year of expertise in the distribution of electronic components. Based in Hongkong, we have already established firm and mutual-benefit business relationships with customers from,Europe,America and south Asia,supplying obsolete and hard-to-find components to meet their specific needs.

With the principle of "Quality Parts,Customers Priority,Honest Operation,and Considerate Service",our business mainly focus on the distribution of electronic components. Line cards we deal with include Microchip,ALPS,ROHM,Xilinx,Pulse,ON,Everlight and Freescale. Main products comprise IC,Modules,Potentiometer,IC Socket,Relay,Connector.Our parts cover such applications as commercial,industrial, and automotives areas.

We are looking forward to setting up business relationship with you and hope to provide you with the best service and solution. Let us make a better world for our industry!



## Contact us

Tel: +86-755-8981 8866 Fax: +86-755-8427 6832

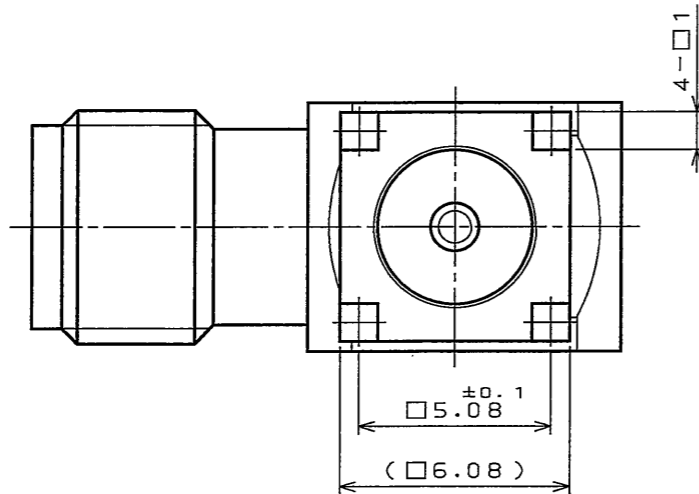
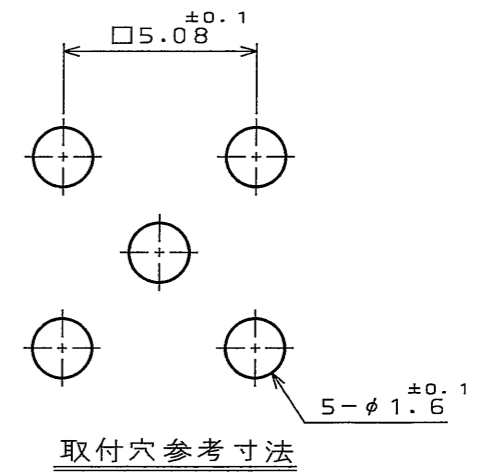
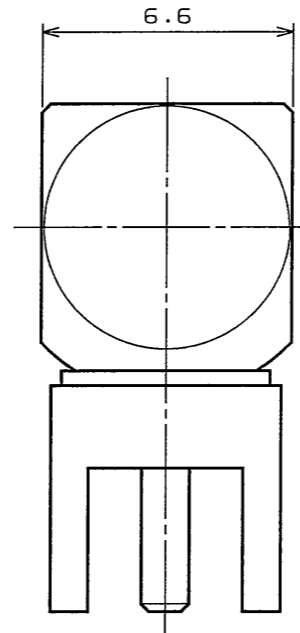
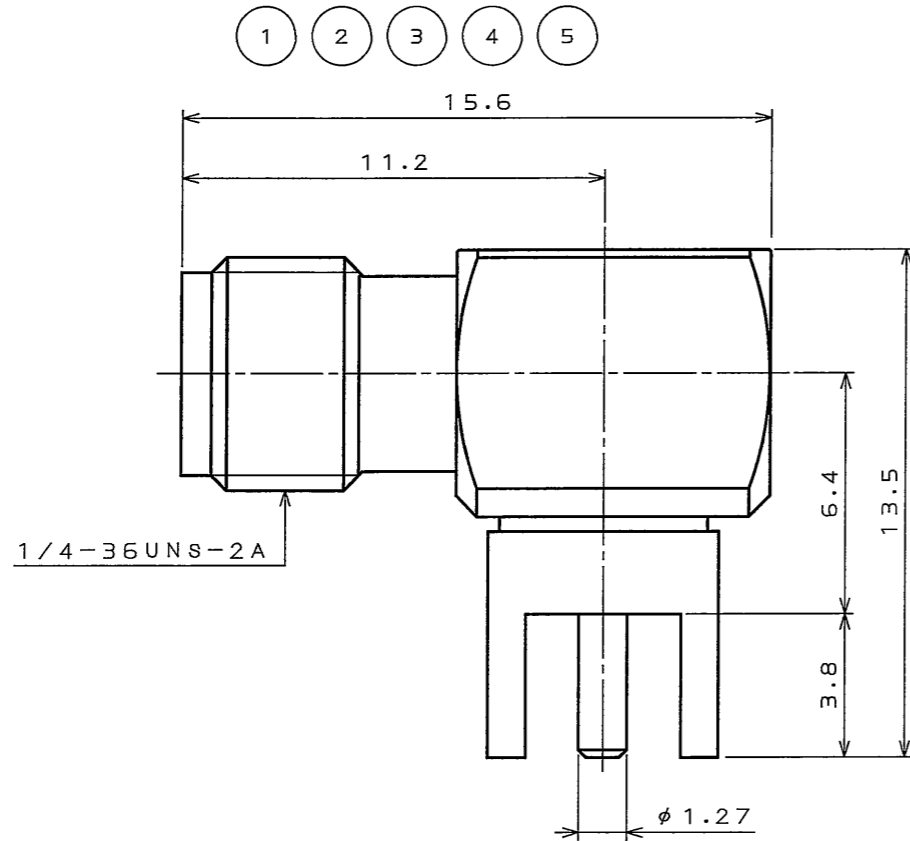
Email & Skype: info@chipsmall.com Web: www.chipsmall.com

Address: A1208, Overseas Decoration Building, #122 Zhenhua RD., Futian, Shenzhen, China



ED1Z0103  
(ON 0NIMVHD) 品番図

版数 REV.	年月日 DATE	DCN NO.	変更内容 DESCRIPTION	製図 DR.	担当 CHK.	査閲 APPD.	承認 APPD.



命名法

SMAS001D00

半田付タイプ  
特性インピーダンス: D=50Ω  
開発番号  
コネクタ形状: S=ライトアングルレセプタクル  
シリーズ名: SMA同軸コネクタ

符号 NO.	名称 DESCRIPTION	個数 QTY.	材料 MATERIAL	仕上 FINISH	備考 REMARKS
5	シェル#2	1	ステンレス鋼	ニッケルめっき	
4	R.インシュレータ	1	4フッ化エチレン		
3	ソケットコンタクト	1	ペリリウム銅	ニッケル上金めっき	
2	F.インシュレータ	1	4フッ化エチレン		
1	シェル#1	1	ステンレス鋼	パッシベイト処理	

仕様書 (SPECIFICATION) JAGS-2056	第1版 (ORIGINAL DATE) 2004.10.1	尺度 (SCALE) 5:1	シリーズ (SERIES) SMA	日本航空電子工業株式会社 JAPAN AVIATION ELECTRONICS INDUSTRY, LTD. 
公差 (GENERAL TOLERANCE)	製図 DR. 桜田	名称 (TITLE) SMAS001D00		
寸法 (DIMENSION)	担当 CHK. 宮下	質量 (MASS)		
角度 (ANGLES)	査閲 APPD. 承認 APPD. 	図面番号 (DRAWING NO.) SJ102103		

DOF-0-212E(03.06)



LEAD FREE この製品は鉛フリー品です

JAE CONNECTOR DIV. PROPRIETARY.  
COPYRIGHT (C) 2004, JAPAN AVIATION ELECTRONICS INDUSTRY, LTD.

SIZE A3  
版数 (REV.)  
1