



Chipsmall Limited consists of a professional team with an average of over 10 year of expertise in the distribution of electronic components. Based in Hongkong, we have already established firm and mutual-benefit business relationships with customers from,Europe,America and south Asia,supplying obsolete and hard-to-find components to meet their specific needs.

With the principle of “Quality Parts,Customers Priority,Honest Operation,and Considerate Service”,our business mainly focus on the distribution of electronic components. Line cards we deal with include Microchip,ALPS,ROHM,Xilinx,Pulse,ON,Everlight and Freescale. Main products comprise IC,Modules,Potentiometer,IC Socket,Relay,Connector.Our parts cover such applications as commercial,industrial, and automotives areas.

We are looking forward to setting up business relationship with you and hope to provide you with the best service and solution. Let us make a better world for our industry!



Contact us

Tel: +86-755-8981 8866 Fax: +86-755-8427 6832

Email & Skype: info@chipsmall.com Web: www.chipsmall.com

Address: A1208, Overseas Decoration Building, #122 Zhenhua RD., Futian, Shenzhen, China



DESIGNED & DIMENSIONED
IN MILLIMETERS [INCHES]

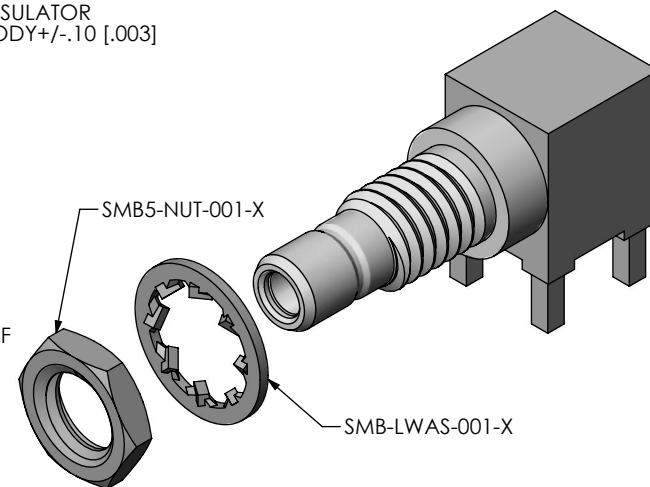
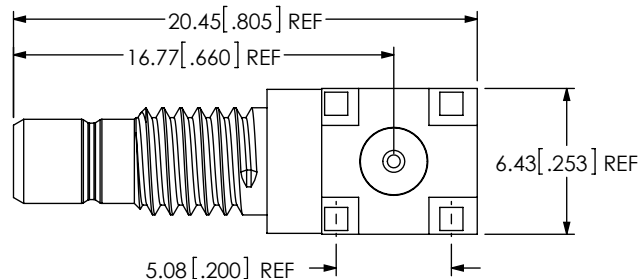
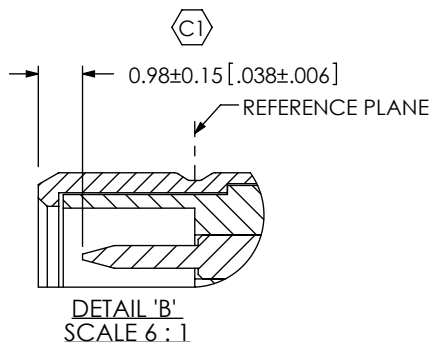
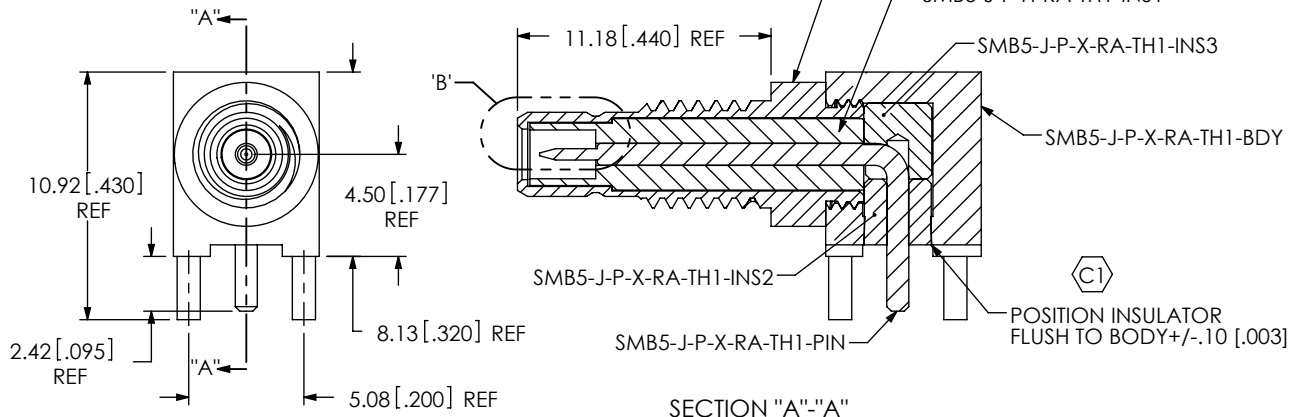
DO NOT
SCALE FROM
THIS PRINT

SMB5-J-P-XX-RA-TH1

GENDER
-J: JACK
TYPE
-P: PCB

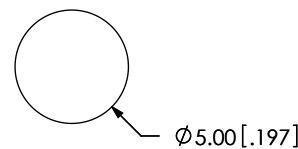
TERMINATION
-TH1: THROUGH HOLE
ORIENTATION
-RA: RIGHT ANGLE

PLATING SPECIFICATION
(VALUES GIVEN ARE IN MICRO-INCHES)
-HN: HEAVY GOLD / NICKEL
30 Au / 50 Ni MIN ON PIN
3 Au / 50 Ni MIN ON OUTER CONTACT
100 Ni ON BODY
-H: HEAVY GOLD
30 Au / 50 Ni MIN ON PIN
3 Au / 50 Ni MIN ON OUTER CONTACT
AND BODY
(SEE TABLE 1)

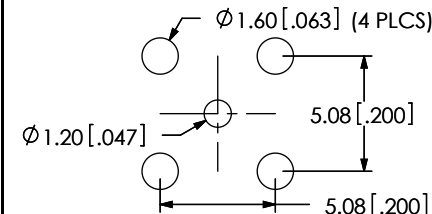


ITEM	COMPONENT	-HN	-H
1	SHELL	SMB5-J-P-F-RA-TH1-SHL	
2	PIN	SMB5-J-P-H-RA-TH1-PIN	
3	BODY	SMB5-J-P-N-RA-TH1-BDY	SMB5-J-P-F-RA-TH1-BDY
4	INSULATOR 1	SMB5-J-P-RA-TH1-INS1	
5	INSULATOR 2	SMB5-J-P-RA-TH1-INS2	
6	INSULATOR 3	SMB5-J-P-RA-TH1-INS3	

RECOMMENDED MOUNTING HOLE
3.81 [.150] MAX. PANEL THICKNESS



RECOMMENDED PCB LAYOUT



NOTES:

- ⊕ REPRESENTS A CRITICAL DIMENSION.
- PUSHOUT FORCE FOR INSULATOR: 17.79 N [4.0 LB] MIN.
- PARTS TO BE PACKAGED IN TRAYS; IF QUANTITY IS LESS THAN HALF TRAY, PRODUCT TO BE PACKAGED PER PACKAGING STANDARD CO-RF-WI-3040-M.
- RoHS COMPLIANT.

UNLESS OTHERWISE SPECIFIED,
DIMENSIONS ARE IN
MILLIMETERS [INCHES].
TOLERANCES ARE:

DECIMALS ANGLES
.X: ±0.3 [.01] 5°
.XX: ±0.13 [.005]
.XXX: ±0.051 [.0020]

PROPRIETARY NOTE
THIS DOCUMENT CONTAINS CONFIDENTIAL AND
PROPRIETARY INFORMATION AND ALL DESIGN,
MANUFACTURING, REPRODUCTION, USE, PATENT RIGHTS
AND SALES RIGHTS ARE EXPRESSLY RESERVED BY SAMTEC,
INC. THIS DOCUMENT SHALL NOT BE DISCLOSED, IN WHOLE
OR PART, TO ANY UNAUTHORIZED PERSON OR ENTITY NOR
REPRODUCED, TRANSFERRED OR INCORPORATED IN ANY
OTHER PROJECT IN ANY MANNER WITHOUT THE EXPRESS
WRITTEN CONSENT OF SAMTEC, INC.

MATERIAL: DO NOT SCALE DRAWING SHEET SCALE: 1:0.333333

samtec

520 PARK EAST BLVD, NEW ALBANY, IN 47150
PHONE: 812-944-6733 FAX: 812-948-5047
e-Mail: info@SAMTEC.com code: 55322

DESCRIPTION:
SMB5 RIGHT ANGLE, THOUGH HOLE- 50 OHM

DWG. NO.
SMB5-J-P-XX-RA-TH1

BY: G. HERMAN 03/20/2008 SHEET 1 OF 1