



Chipsmall Limited consists of a professional team with an average of over 10 year of expertise in the distribution of electronic components. Based in Hongkong, we have already established firm and mutual-benefit business relationships with customers from,Europe,America and south Asia,supplying obsolete and hard-to-find components to meet their specific needs.

With the principle of “Quality Parts,Customers Priority,Honest Operation,and Considerate Service”,our business mainly focus on the distribution of electronic components. Line cards we deal with include Microchip,ALPS,ROHM,Xilinx,Pulse,ON,Everlight and Freescale. Main products comprise IC,Modules,Potentiometer,IC Socket,Relay,Connector.Our parts cover such applications as commercial,industrial, and automotives areas.

We are looking forward to setting up business relationship with you and hope to provide you with the best service and solution. Let us make a better world for our industry!



Contact us

Tel: +86-755-8981 8866 Fax: +86-755-8427 6832

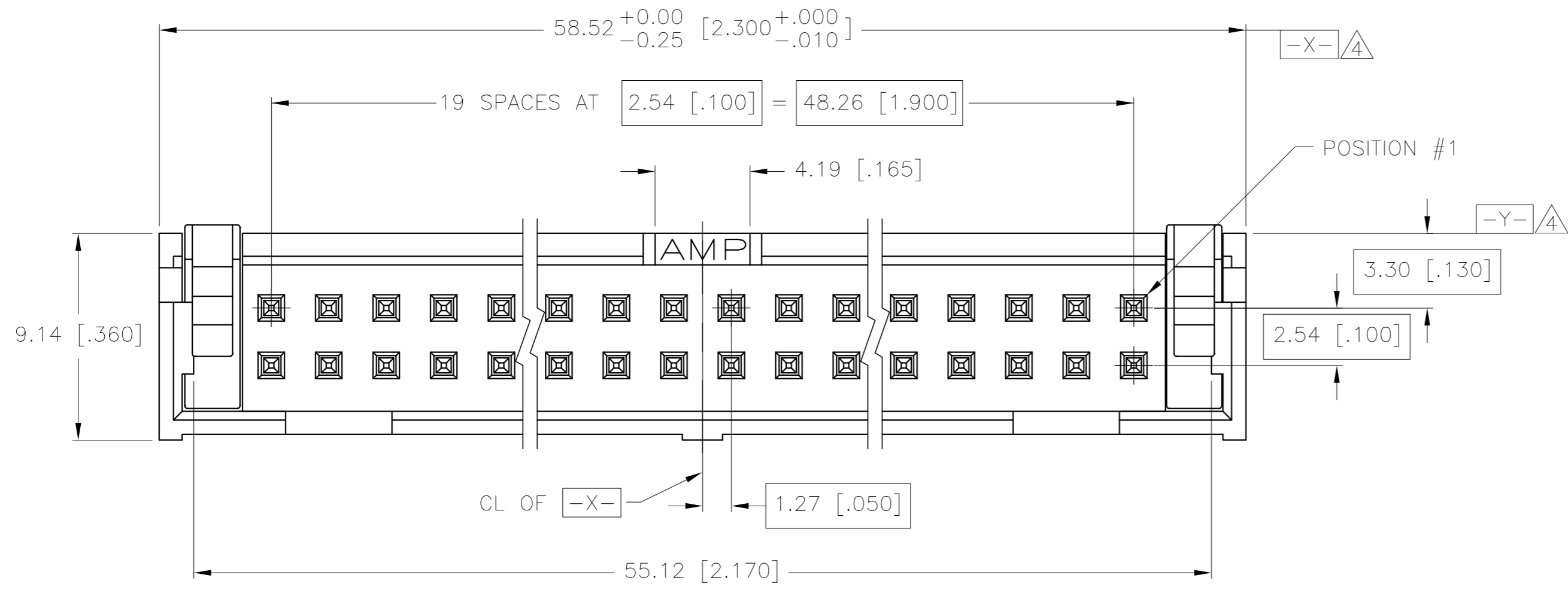
Email & Skype: info@chipsmall.com Web: www.chipsmall.com

Address: A1208, Overseas Decoration Building, #122 Zhenhua RD., Futian, Shenzhen, China

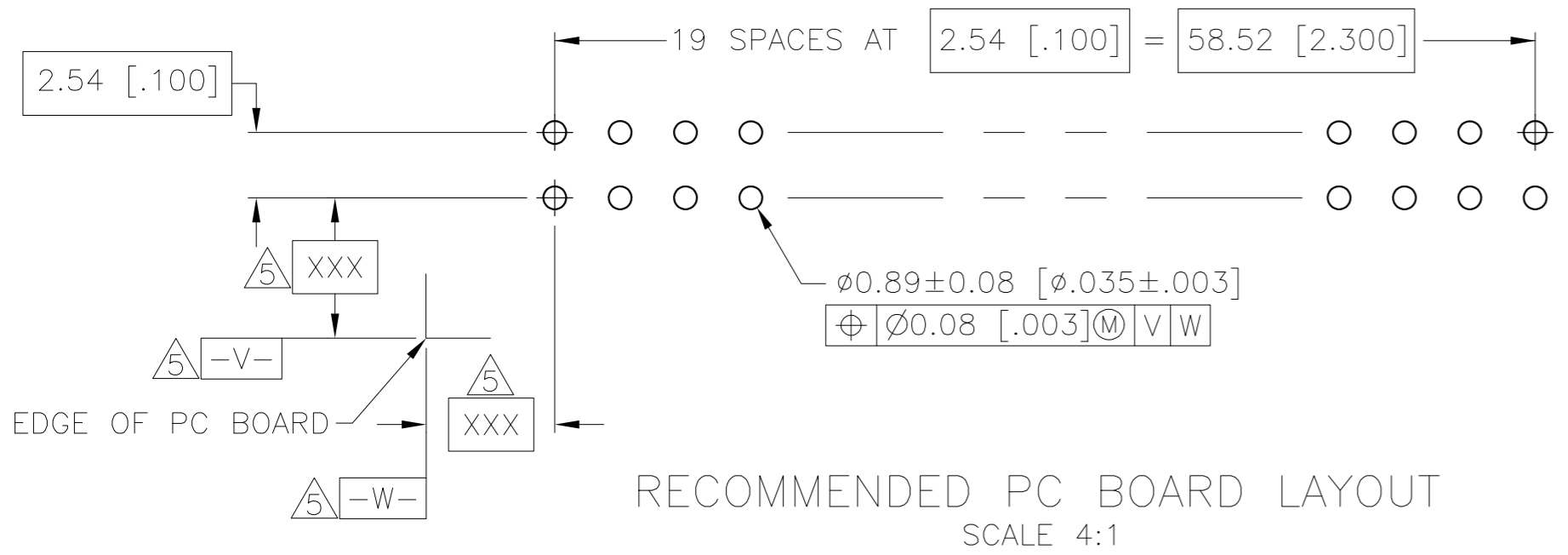
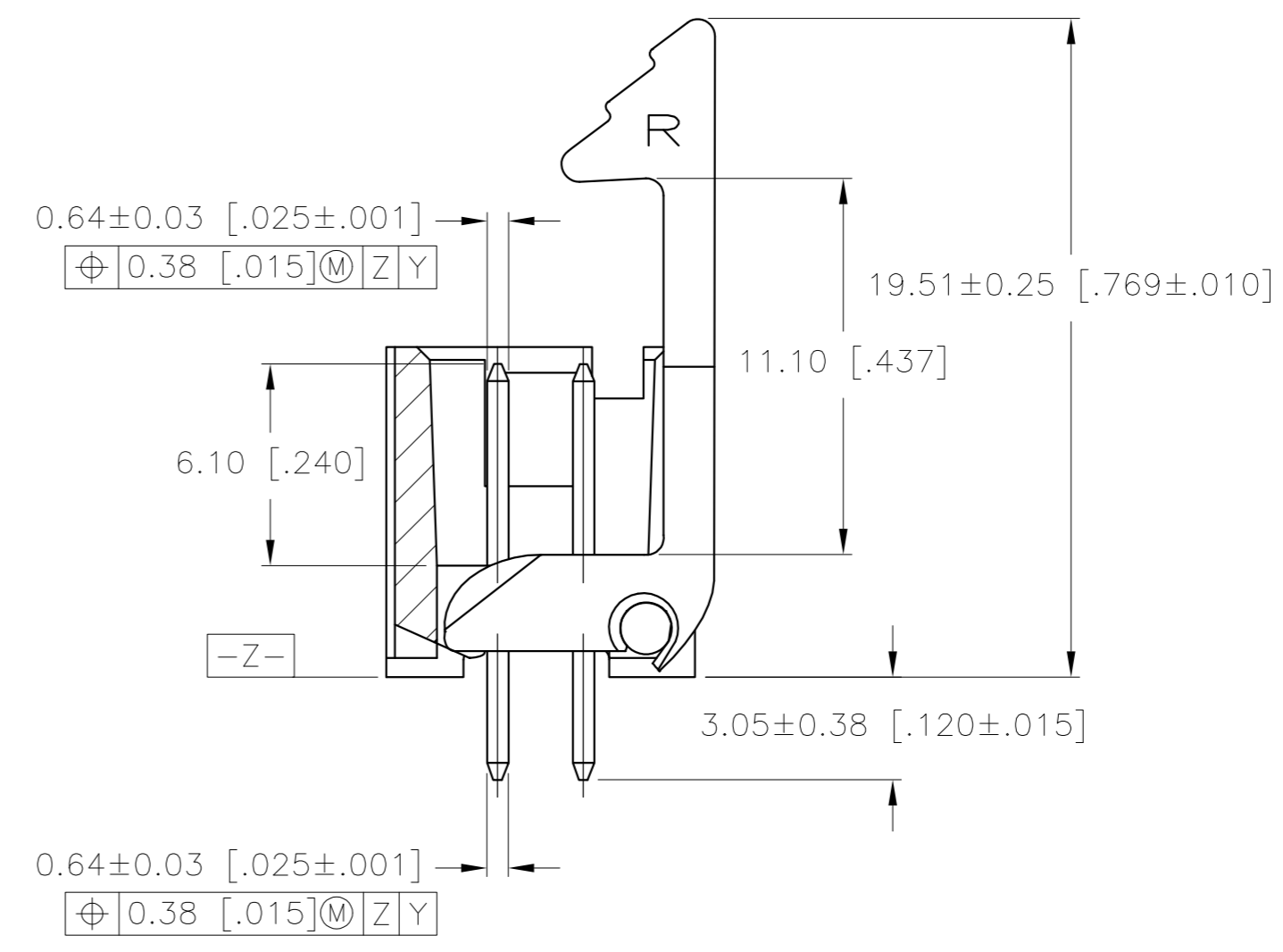
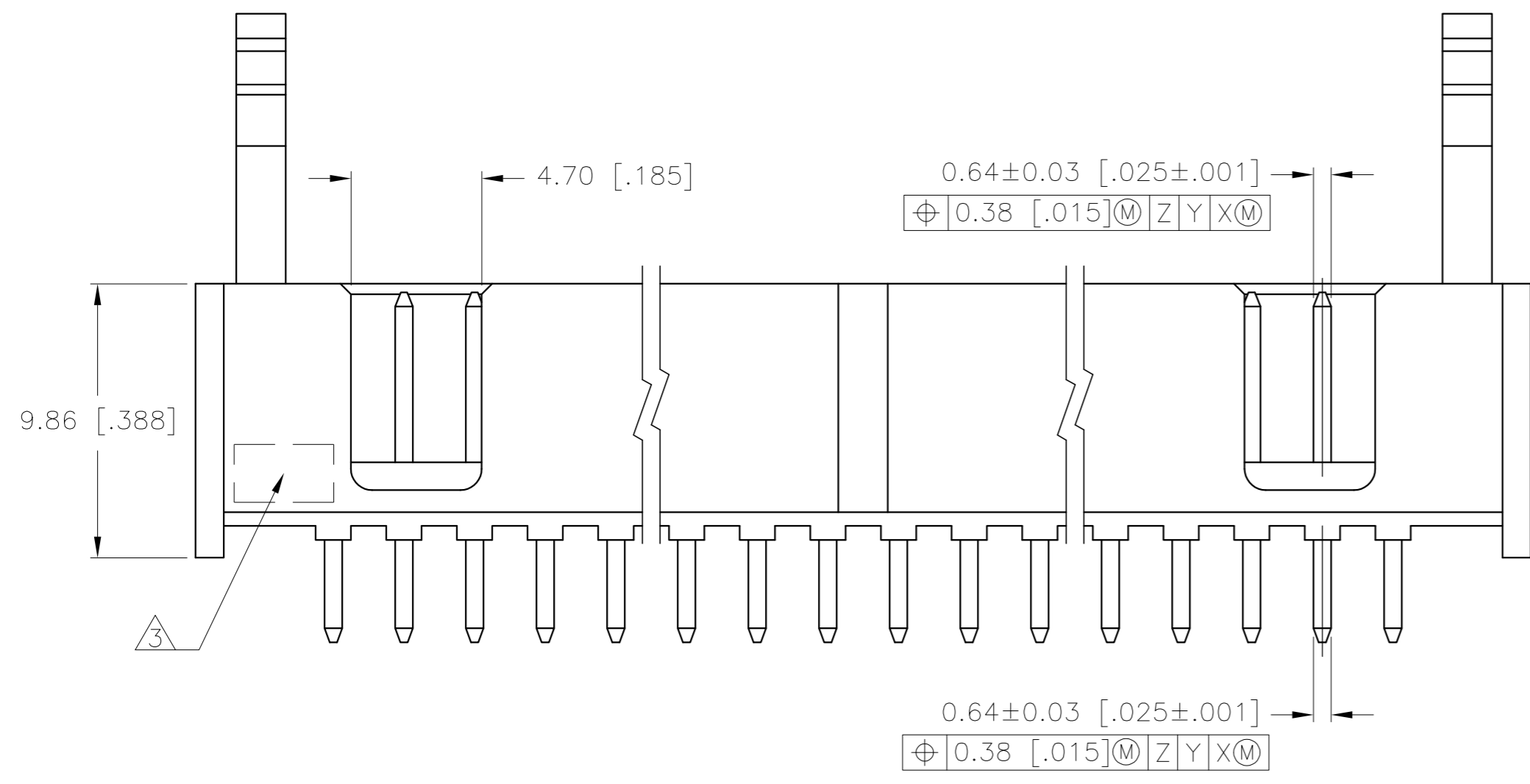


THIS DRAWING IS UNPUBLISHED. RELEASED FOR PUBLICATION
 © COPYRIGHT BY TYCO ELECTRONICS CORPORATION. ALL RIGHTS RESERVED.

LOC		DIST		REVISIONS			
P	LTR	DESCRIPTION	DATE	DWN	APVD		
GP	00	REVISED PER ECO-08-005380	10JUN2008	ZMR	SLB		



- ① HOUSING: GLASS FILLED NYLON, 94V-0 RATED, COLOR BLACK. POSTS: BRASS.
- ② POSTS: GOLD FLASH OVER PALLADIUM-NICKEL PLATE, .000030 MIN TOTAL ON THE MATING SURFACES, .000100 MIN TIN LEAD PLATE ON THE SOLDER TAILS, .000050 MIN NICKEL UNDERPLATE ON THE ENTIRE POST.
OR
.000030 MIN GOLD PLATE ON THE MATING SURFACES, .000100 MIN TIN-LEAD PLATE ON THE SOLDER-TAILS, .000050 MIN NICKEL UNDERPLATE ON THE ENTIRE POST.
- ③ OPTIONAL DATE CODE LOCATED IN AREA INDICATED.
- ④ DATUMS X & Y APPLY AT THE INTERSECTION OF HOUSING AND POSTS.
- ⑤ DATUMS AND BASIC DIMENSIONS TO BE ESTABLISHED BY CUSTOMER.
- 6. POSTS OMITTED FROM POSITIONS 27, 30-35 & 37-40.



THIS DRAWING IS A CONTROLLED DOCUMENT.		DWN	J.GERACE	05FEB04	Tyco Electronics Corporation Harrisburg, PA 17105-3608	
DIMENSIONS: mm [INCHES]		CHK	S.BOLASH	05FEB04		
TOLERANCES UNLESS OTHERWISE SPECIFIED:		APVD	M.WALMSLEY	05FEB04		
0 PLC ± - 1 PLC ± - 2 PLC ± 0.13[.005] 3 PLC ± - 4 PLC ± - ANGLES ± - FINISH ②		PRODUCT SPEC	108-40018			
MATERIAL ①		APPLICATION SPEC	-		NAME	HEADER ASSY, VERTICAL, LOW PROFILE, SELECTIVELY LOADED, AMP-LATCH
		WEIGHT	-		SIZE	A2
		CUSTOMER DRAWING	SCALE	5:1	CAGE CODE	00779
			SHEET	1 of 1	DRAWING NO	C=1658196
			REV	E	RESTRICTED TO	-