



Chipsmall Limited consists of a professional team with an average of over 10 year of expertise in the distribution of electronic components. Based in Hongkong, we have already established firm and mutual-benefit business relationships with customers from,Europe,America and south Asia,supplying obsolete and hard-to-find components to meet their specific needs.

With the principle of “Quality Parts,Customers Priority,Honest Operation,and Considerate Service”,our business mainly focus on the distribution of electronic components. Line cards we deal with include Microchip,ALPS,ROHM,Xilinx,Pulse,ON,Everlight and Freescale. Main products comprise IC,Modules,Potentiometer,IC Socket,Relay,Connector.Our parts cover such applications as commercial,industrial, and automotives areas.

We are looking forward to setting up business relationship with you and hope to provide you with the best service and solution. Let us make a better world for our industry!



## Contact us

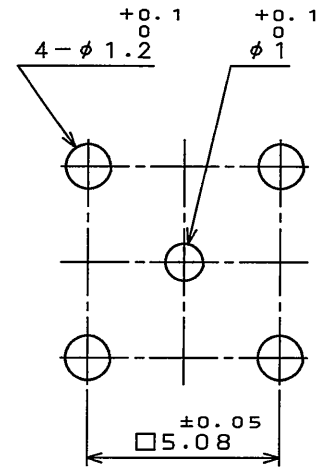
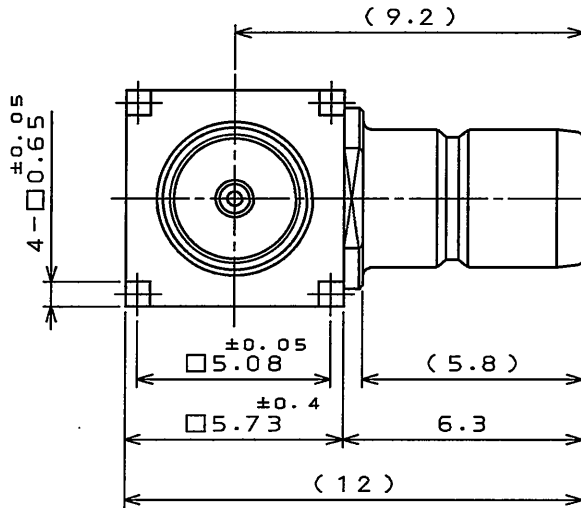
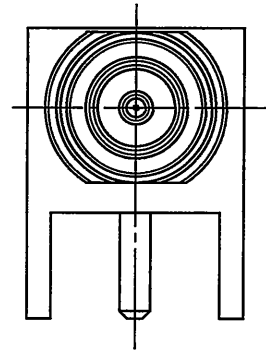
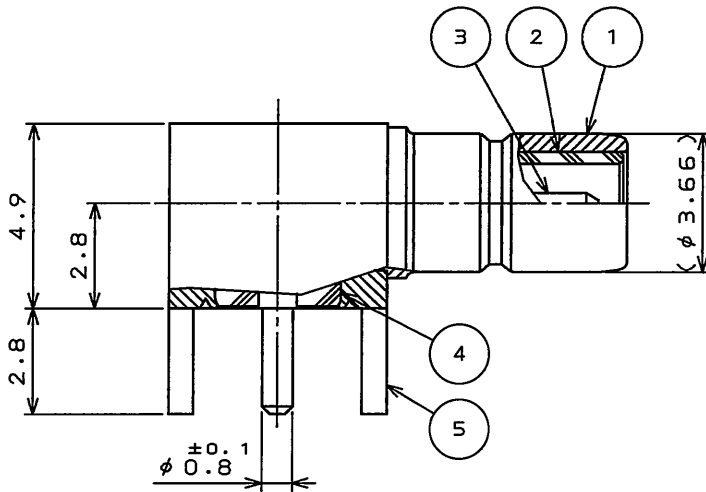
Tel: +86-755-8981 8866 Fax: +86-755-8427 6832

Email & Skype: info@chipsmall.com Web: www.chipsmall.com

Address: A1208, Overseas Decoration Building, #122 Zhenhua RD., Futian, Shenzhen, China



版数 REV.	年月日 DATE	DCN NO.	変更内容 DESCRIPTION	製図 DR.	担当 CHK.	査閲 APPD.	承認 APPD.
------------	-------------	---------	---------------------	-----------	------------	-------------	-------------



MOUNTING HOLE PATTERNS (REF.)  
取付穴参考寸法

DESIGNATION 命名法

SMB S 003 D 00

CONNECTION No.00 : NO CONNECTION 結線タイプ : 結線ではない  
 CHARACTERISTIC IMPEDANCE : D=50Ω 特性インピーダンス : D=50Ω  
 DEVELOPMENT No. 開発番号  
 CONNECTER TYPE:S = RIGHT ANGLE RECEPTACLE コネクタ形状:=ライトアングルレセプタクル  
 SERIES : SMB シリーズ名:SMB同軸コネクタ

5	SHELL #2	1	BRASS	NICKEL PLATING	NI:1.5μm MIN.
4	INSULATOR #2	1	PTFE		
3	PIN CONTACT	1	BRASS	GOLD PLATING OVER NICKEL	NI:1.5μm MIN. Au:0.1μm MIN.
2	INSULATOR #1	1	PTFE		
1	SHELL #1	1	BRASS	NICKEL PLATING	NI:1.5μm MIN.
符号 NO.	名 DESCRIPTION	個数 QTY.	材 MATERIAL	仕 FINISH	備 REMARKS

仕様書 (SPECIFICATION)		第1版 (ORIGINAL DATE)		名称 (TITLE)		日本航空電子工業株式会社 JAPAN AVIATION ELECTRONICS INDUSTRY, LTD. 
JACS-2237		7. Jan. 2009		SMB S 003 D 00		
公差 (GENERAL TOLERANCE)		製図 DR.				
寸法 (DIMENSION)		担当 CHK.	R.KATOÙ			
角度 (ANGLES)		査閲 APPD.	K. Furukatsu			
· ±0.8	×° ± —	承認 APPD.	J. Oshika	シリーズ (SERIES)	尺度 (SCALE)	
· X ±0.4	×× ± —			SMB	5:1	
· XX ±0.1						
· XXX ± —						
図面番号 (DRAWING NO.)						版数 (REV.)
SJ109414						1

DOF-0-211F(05.08)