



Chipsmall Limited consists of a professional team with an average of over 10 year of expertise in the distribution of electronic components. Based in Hongkong, we have already established firm and mutual-benefit business relationships with customers from,Europe,America and south Asia,supplying obsolete and hard-to-find components to meet their specific needs.

With the principle of "Quality Parts,Customers Priority,Honest Operation,and Considerate Service",our business mainly focus on the distribution of electronic components. Line cards we deal with include Microchip,ALPS,ROHM,Xilinx,Pulse,ON,Everlight and Freescale. Main products comprise IC,Modules,Potentiometer,IC Socket,Relay,Connector.Our parts cover such applications as commercial,industrial, and automotives areas.

We are looking forward to setting up business relationship with you and hope to provide you with the best service and solution. Let us make a better world for our industry!



## Contact us

Tel: +86-755-8981 8866 Fax: +86-755-8427 6832

Email & Skype: info@chipsmall.com Web: www.chipsmall.com

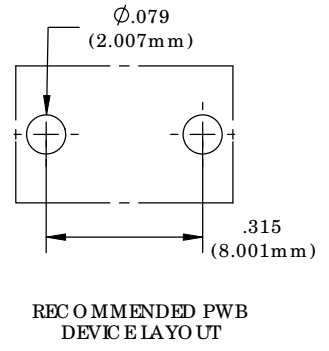
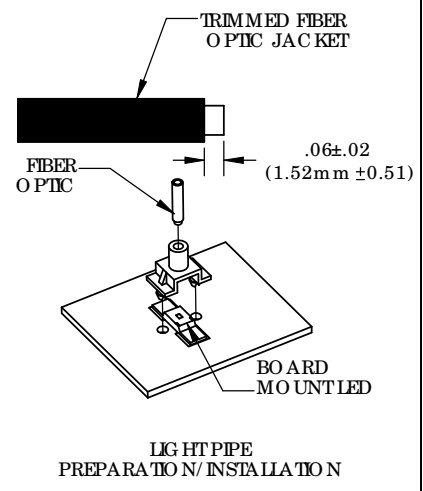
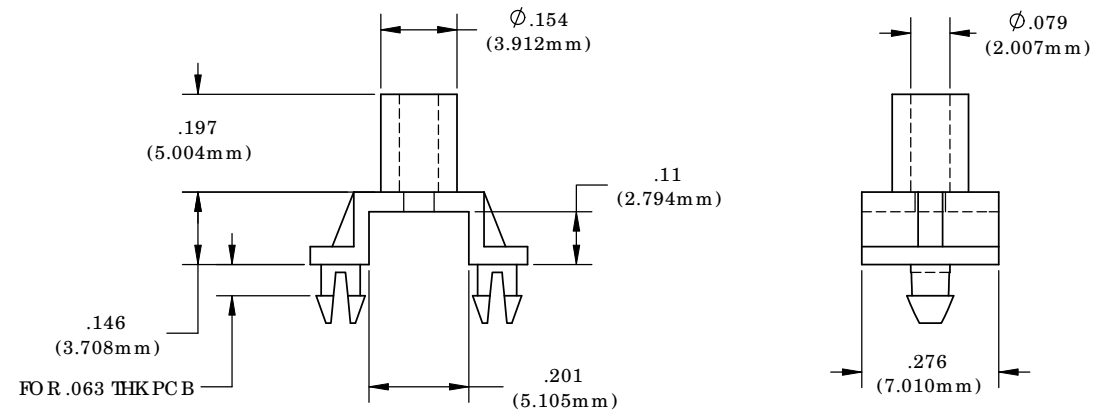
Address: A1208, Overseas Decoration Building, #122 Zhenhua RD., Futian, Shenzhen, China



8 7 6 5 4 3 2 1

- NOTES**
1. ROHS COMPLIANT
  2. -40 °C TO 85 °C OPERATING TEMPERATURE
  3. SUITABLE FOR LIGHT PIPE WITH  $\varnothing 2.2\text{MM}$  JACKET AND OPTICAL CORE NO GREATER THAN  $\varnothing 1.5\text{MM}$ .
  4. DO NOT INSTALL PRIOR TO SOLDERING
  5. FOR BEST RESULTS USE ONLY NARROW VIEWING ANGLE NON-DIFFUSED LEDS WITH OUTPUT POWER GREATER THAN 100mcd

REVISIONS				
ECN #	REV	DESCRIPTION	DATE	INITIALS
177	001	INITIAL RELEASE	8/3/10	KH
200	002	REVISED PER ECR 100610KH010	10/6/10	KH



UNLESS OTHERWISE SPECIFIED DIMENSIONS ARE IN INCHES.		MATERIAL		VISUAL COMMUNICATIONS COMPANY, INC.	
ANGLES	DECIMALS	NYLON 6/6, BLACK UL 94-V2		190 Bosstick Boulevard, Suite 101 San Marcos, CA 92069 USA Phone (760) 560-1300 Fax (760) 560-1301 email vccsales@vccite.com	
$\pm 1/2^\circ$	$\pm .020$	FINISH		TITLE: SURFACE MOUNT LED MOUNT	
XXX	$\pm .010$	SEE NOTES		SIZE DWG. NO. REV	
XXXX	$\pm .005$	APPROVAL		SMD 22	
$\sqrt{\text{V}}$ BREAK ALL CORNERS AND SHARP EDGES 90 DEGREE		DRAWN KH 8/3/10		SCALE: 4:1 SHEET 1 OF 1	
		CHECKED DPZ 8/10/10			
THIRD ANGLE PROJECTION		DO NOT SCALE DRAWING			
<small>PROPRIETARY AND CONFIDENTIAL THE INFORMATION CONTAINED IN THIS DRAWING IS THE SOLE PROPERTY OF VISUAL COMMUNICATIONS COMPANY, INC. AND IS TO BE USED ONLY FOR THE PURPOSES SPECIFIED HEREIN. ANY REPRODUCTION IN PART OR AS A WHOLE WITHOUT THE WRITTEN CONSENT OF VISUAL COMMUNICATIONS COMPANY, INC. IS PROHIBITED.</small>					

8 7 6 5 4 3 2 1