



Chipsmall Limited consists of a professional team with an average of over 10 year of expertise in the distribution of electronic components. Based in Hongkong, we have already established firm and mutual-benefit business relationships with customers from,Europe,America and south Asia,supplying obsolete and hard-to-find components to meet their specific needs.

With the principle of “Quality Parts,Customers Priority,Honest Operation,and Considerate Service”,our business mainly focus on the distribution of electronic components. Line cards we deal with include Microchip,ALPS,ROHM,Xilinx,Pulse,ON,Everlight and Freescale. Main products comprise IC,Modules,Potentiometer,IC Socket,Relay,Connector.Our parts cover such applications as commercial,industrial, and automotives areas.

We are looking forward to setting up business relationship with you and hope to provide you with the best service and solution. Let us make a better world for our industry!



Contact us

Tel: +86-755-8981 8866 Fax: +86-755-8427 6832

Email & Skype: info@chipsmall.com Web: www.chipsmall.com

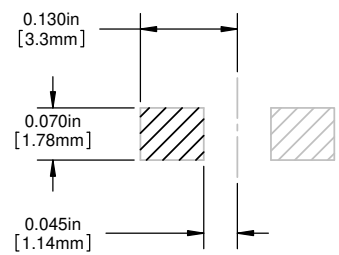
Address: A1208, Overseas Decoration Building, #122 Zhenhua RD., Futian, Shenzhen, China



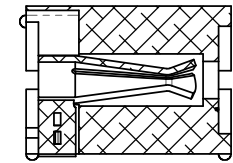
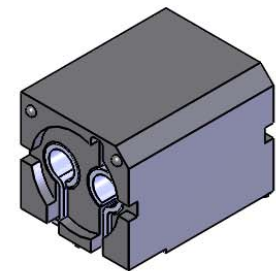
8 7 6 5 4 3 2 1

- NOTES:
1. ROHS COMPLIANT
 2. MATERIAL: HOUSING - NYLON 6/6, U.L. 94-V0 RATING, BLACK (UNLESS OTHERWISE SPECIFIED)
CONTACTS - PHOSPHOR BRONZE, TIN PLATED
 3. MOUNTING: SOCKET MOUNTS ON .250" [6.35mm] CENTERS. INSERT COMPONENT LEADS THRU THE MOUNTING PAD END OF SOCKET
 4. OPTO: STANDARD VISIBLE, IR LED, OR PHOTO DETECTOR WITH LEADS ON .100" [.25mm] CENTERS
 5. LED LEAD DIMENSIONS: MINIMUM .017" [.43mm] ROUND OR SQUARE SHAPE. MAXIMUM .030" [.76mm] THICKNESS - .040" [1.02mm] WIDTH
 6. U.S. & FOREIGN PATENTS ISSUED

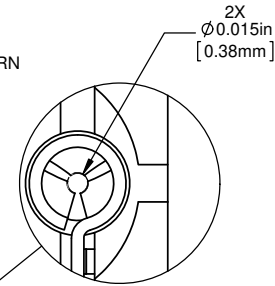
REVISIONS					
ECN #	REV.	DESCRIPTION	DATE	INITIALS	CHKD
	001	REVISED PER ECR 111009AZ01	6/20/10	SMU	DZ
426	002	REVISED PER ECR 041212KH02	4/13/12	KH	ED



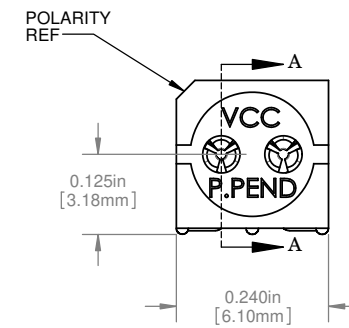
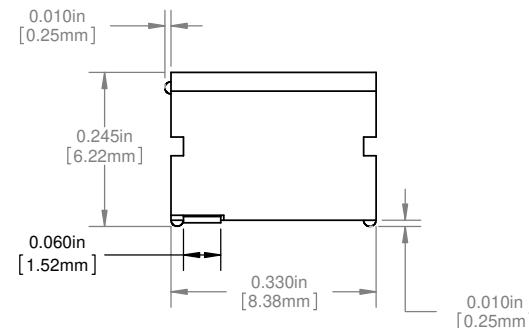
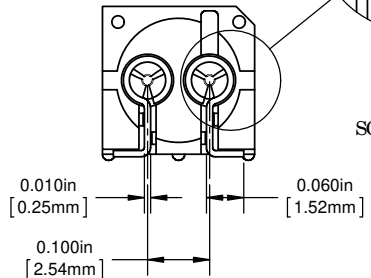
SMD PAD PATTERN



SECTION A-A



DETAIL B
SCALE 10 : 1



ORDERING CODE: **SMD 330**

<small>DIMENSION STYLE: INCHES / MM GENERAL TOLERANCES UNLESS OTHERWISE SPECIFIED</small> <table border="1"> <tr> <th>INCHES</th> <th>MM</th> </tr> <tr> <td>±.020</td> <td>±.508</td> </tr> <tr> <td>XX ±.010</td> <td>±.254</td> </tr> <tr> <td>XXX ±.005</td> <td>±.127</td> </tr> </table>	INCHES	MM	±.020	±.508	XX ±.010	±.254	XXX ±.005	±.127	<small>APPROVAL</small> DRAWN: SMU CHECKED: DZ		<small>DATE</small> 6/20/10 6/20/10	 12780 DANIELSON CT SUITE A, POWAY, CA 92064 U.S.A. PHONE: (800) 522-5546 EMAIL: vccsales@vccllc.com	TITLE: P-C-III® HORIZONTAL MOUNT
	INCHES	MM											
±.020	±.508												
XX ±.010	±.254												
XXX ±.005	±.127												
<small>THIRD ANGLE PROJECTION</small> <small>PROPRIETARY AND CONFIDENTIAL</small> THE INFORMATION CONTAINED IN THIS DRAWING IS THE SOLE PROPERTY OF VISUAL COMMUNICATIONS COMPANY, INC. ANY REPRODUCTION IN PART OR AS A WHOLE WITHOUT THE WRITTEN PERMISSION OF VISUAL COMMUNICATIONS COMPANY, INC. IS PROHIBITED.	<small>MATERIAL</small> SEE NOTES	<small>FINISH</small> SEE NOTES	SIZE: B DWG. NO: SMD 330 SCALE: 5:1	REV: 002 SHEET 1 OF 1									

8 7 6 5 4 3 2 1