



Chipsmall Limited consists of a professional team with an average of over 10 year of expertise in the distribution of electronic components. Based in Hongkong, we have already established firm and mutual-benefit business relationships with customers from,Europe,America and south Asia,supplying obsolete and hard-to-find components to meet their specific needs.

With the principle of “Quality Parts,Customers Priority,Honest Operation,and Considerate Service”,our business mainly focus on the distribution of electronic components. Line cards we deal with include Microchip,ALPS,ROHM,Xilinx,Pulse,ON,Everlight and Freescale. Main products comprise IC,Modules,Potentiometer,IC Socket,Relay,Connector.Our parts cover such applications as commercial,industrial, and automotives areas.

We are looking forward to setting up business relationship with you and hope to provide you with the best service and solution. Let us make a better world for our industry!



Contact us

Tel: +86-755-8981 8866 Fax: +86-755-8427 6832

Email & Skype: info@chipsmall.com Web: www.chipsmall.com

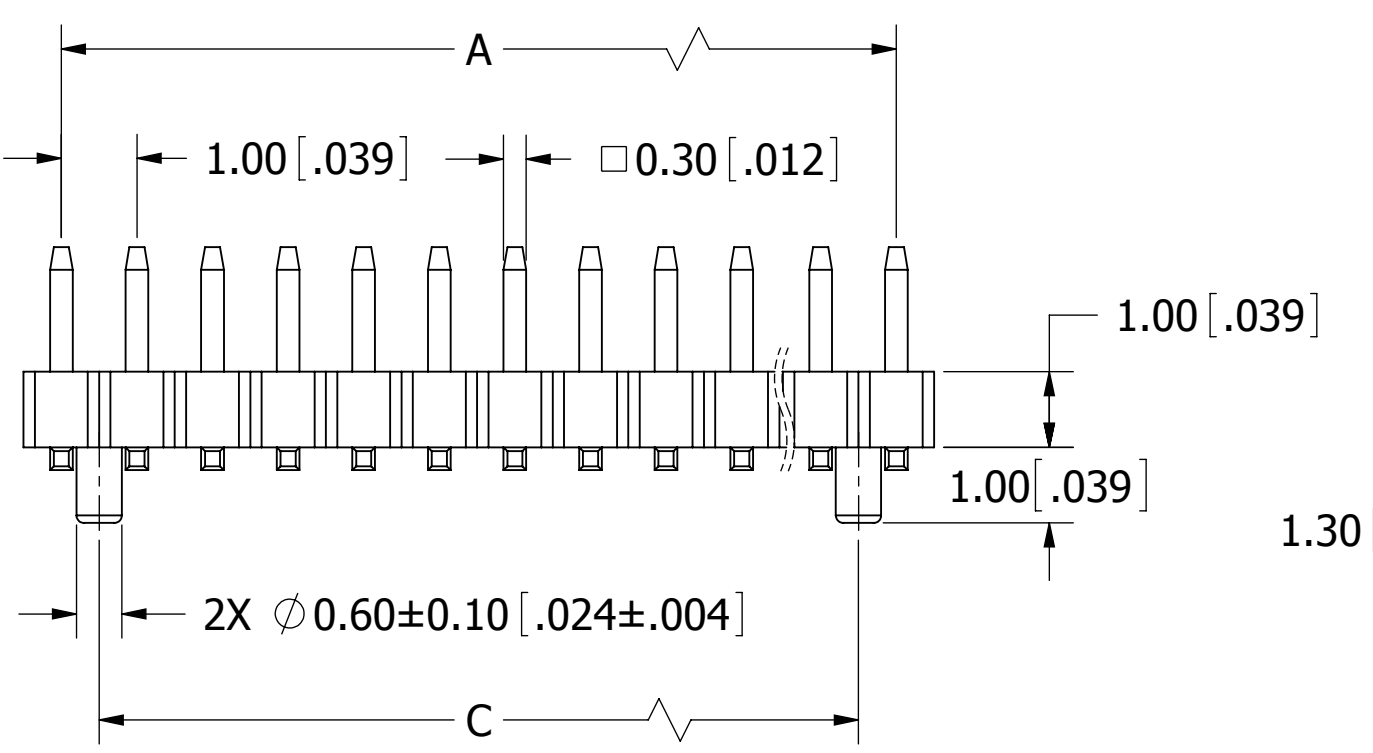
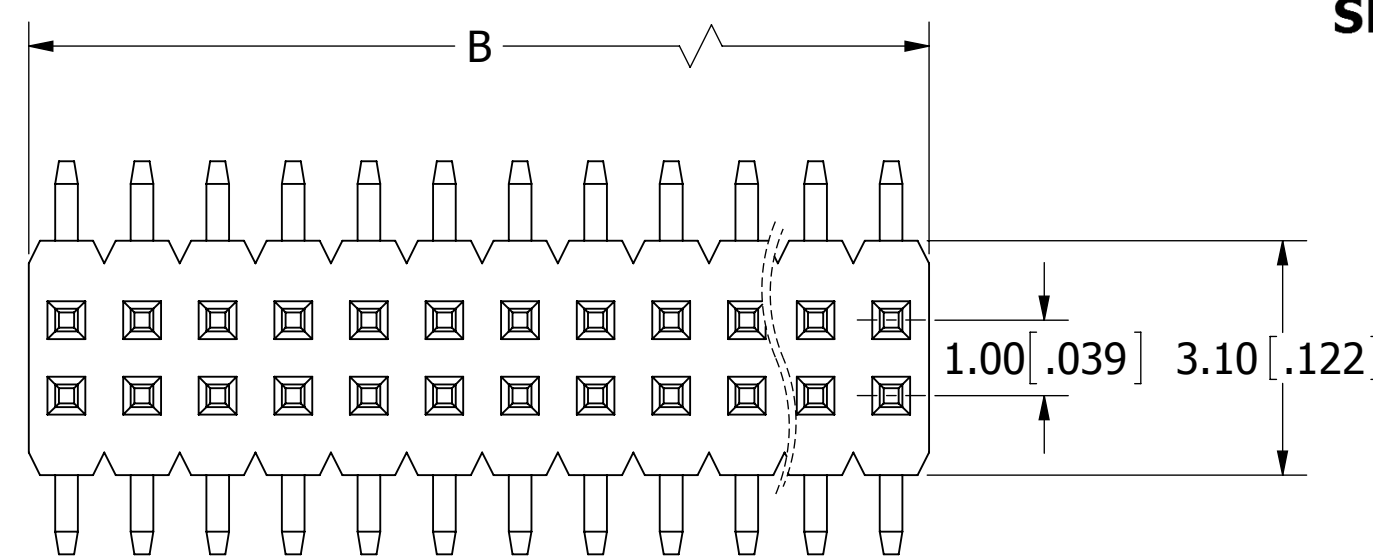
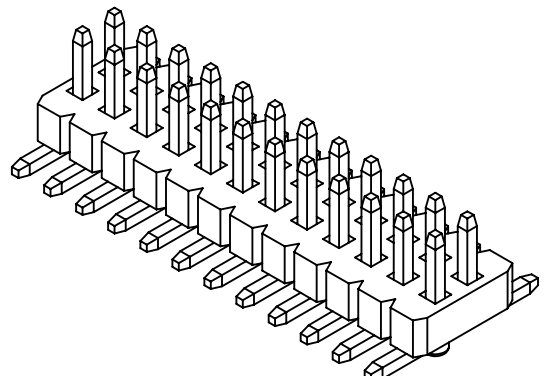
Address: A1208, Overseas Decoration Building, #122 Zhenhua RD., Futian, Shenzhen, China



POSITIONS/ CONTACTS	A		B		C	
	MM±0.20	[INCH±0.008]	MM±0.30	[INCH±0.012]	MM±0.15	[INCH±0.006]
02/04**	1.00	0.039	2.00	0.079	N/A	N/A
03/06	2.00	0.079	3.00	0.118	1.00	0.039
04/08	3.00	0.118	4.00	0.157	2.00	0.079
05/10	4.00	0.157	5.00	0.197	3.00	0.118
06/12	5.00	0.197	6.00	0.236	4.00	0.157
07/14	6.00	0.236	7.00	0.276	5.00	0.197
08/16	7.00	0.276	8.00	0.315	6.00	0.236
09/18	8.00	0.315	9.00	0.354	7.00	0.276
10/20	9.00	0.354	10.00	0.394	8.00	0.315
11/22	10.00	0.394	11.00	0.433	9.00	0.354
12/24	11.00	0.433	12.00	0.472	10.00	0.394
13/26	12.00	0.472	13.00	0.512	11.00	0.433
14/28	13.00	0.512	14.00	0.551	12.00	0.472
15/30	14.00	0.551	15.00	0.591	13.00	0.512
16/32	15.00	0.591	16.00	0.630	14.00	0.551
17/34	16.00	0.630	17.00	0.669	15.00	0.591
18/36	17.00	0.669	18.00	0.709	16.00	0.630
19/38	18.00	0.709	19.00	0.748	17.00	0.669
20/40	19.00	0.748	20.00	0.787	18.00	0.709
21/42	20.00	0.787	21.00	0.827	19.00	0.748
22/44	21.00	0.827	22.00	0.866	20.00	0.787
23/46	22.00	0.866	23.00	0.906	21.00	0.827
24/48	23.00	0.906	24.00	0.945	22.00	0.866
25/50	24.00	0.945	25.00	0.984	23.00	0.906
26/52	25.00	0.984	26.00	1.024	24.00	0.945
27/54	26.00	1.024	27.00	1.063	25.00	0.984
28/56	27.00	1.063	28.00	1.102	26.00	1.024
29/58	28.00	1.102	29.00	1.142	27.00	1.063
30/60	29.00	1.142	30.00	1.181	28.00	1.102
31/62	30.00	1.181	31.00	1.220	29.00	1.142
32/64	31.00	1.220	32.00	1.260	30.00	1.181
33/66	32.00	1.260	33.00	1.299	31.00	1.220
34/68	33.00	1.299	34.00	1.339	32.00	1.260
35/70	34.00	1.339	35.00	1.378	33.00	1.299
36/72	35.00	1.378	36.00	1.417	34.00	1.339
37/74	36.00	1.417	37.00	1.457	35.00	1.378
38/76	37.00	1.457	38.00	1.496	36.00	1.417
39/78	38.00	1.496	39.00	1.535	37.00	1.457
40/80	39.00	1.535	40.00	1.575	38.00	1.496
41/82	40.00	1.575	41.00	1.614	39.00	1.535
42/84	41.00	1.614	42.00	1.654	40.00	1.575
43/86	42.00	1.654	43.00	1.693	41.00	1.614
44/88	43.00	1.693	44.00	1.732	42.00	1.654
45/90	44.00	1.732	45.00	1.772	43.00	1.693
46/92	45.00	1.772	46.00	1.811	44.00	1.732
47/94	46.00	1.811	47.00	1.850	45.00	1.772
48/96	47.00	1.850	48.00	1.890	46.00	1.811
49/98	48.00	1.890	49.00	1.929	47.00	1.850
50/100	49.00	1.929	50.00	1.969	48.00	1.890

**NOTE: POSITION 2 NOT AVAILABLE WITH GUIDE POSTS.

- NOTES:
- INSULATOR MATERIAL: L.C.P, UL 94V-0, COLOR: BLACK
 - CONTACT MATERIAL: PHOSPHOR BRONZE
 - CONTACT PLATING: SEE PART NUMBER CODING
 - CURRENT RATING: 1 AMP
 - INSULATOR RESISTANCE: 1000 MEGA OHMS MIN
 - CONTACT RESISTANCE: 20 MILLI OHMS MAX
 - DIELECTRIC WITHSTANDING: 300 V AC
 - OPERATING TEMPERATURE: -40°C TO +125°C
 - PROCESSING TEMP.: 260°C MAX FOR 10 SECONDS.
(INDICATED TEMPERATURE AND TIME IS FOR COMPONENT INSULATOR. HIGHER PROCESSING TEMPERATURES MAY BE USED, PROVIDED HEAT IS APPLIED FROM BACK SIDE OF PCB, AND INSULATOR DOES NOT EXCEED INDICATED TEMPERATURE AND TIME.)



02-30, 0.10mm MAX.
31-50, 0.20mm MAX.

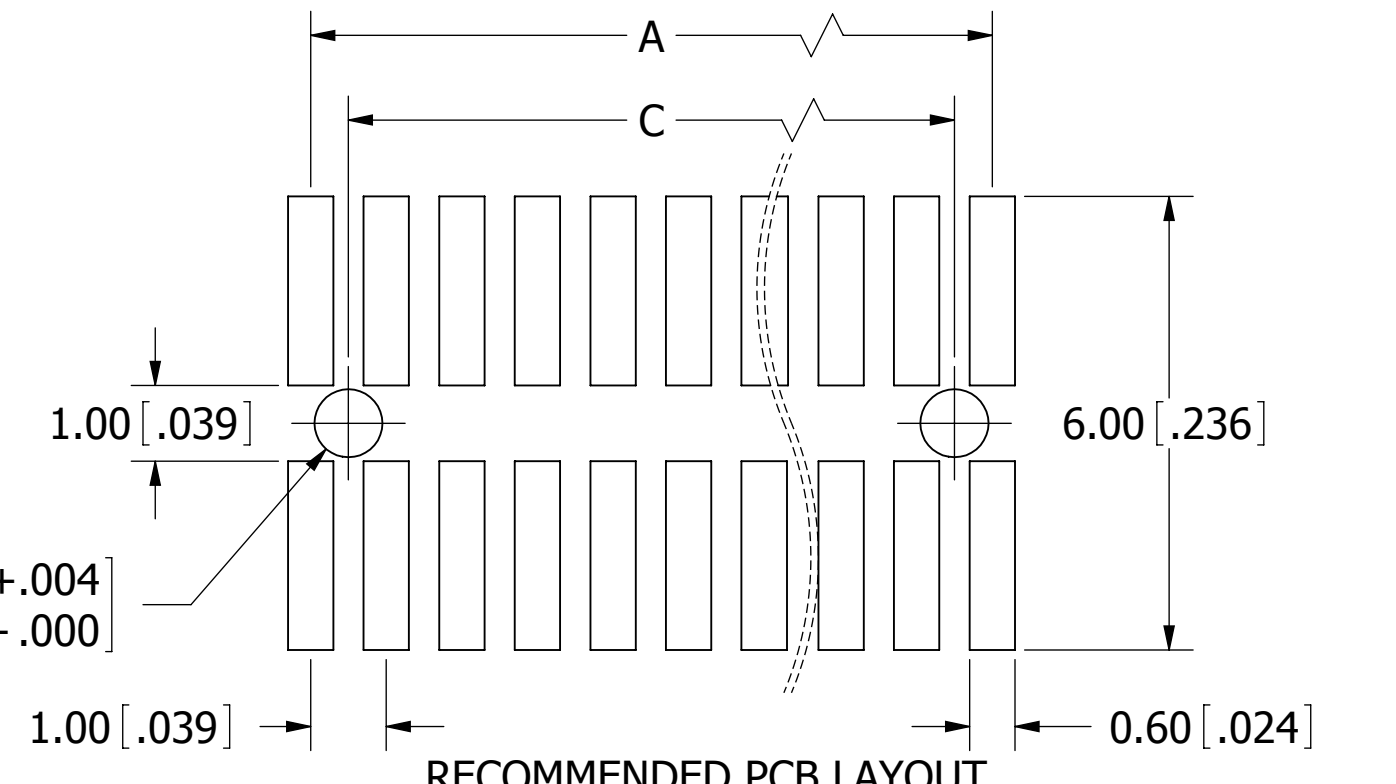
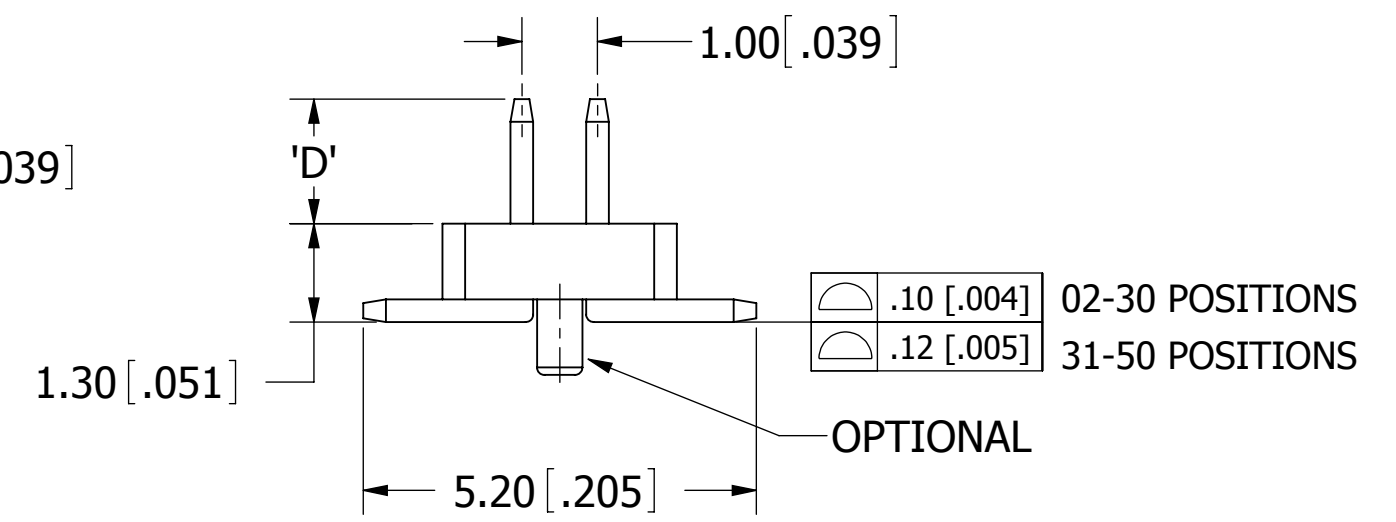
PART NUMBER CODING
SMH10 -LP E-D -S -BK

MOUNTING STYLES
M = SURFACE MOUNT W/O GUIDE POSTS
P = SURFACE MOUNT W/ GUIDE POSTS

NUMBER OF POSITIONS
(CONTACTS PER ROW, 2 THRU 50)

PLATING
P = GOLD FLASH OVERALL.
S = 10u" GOLD ON CONTACT SURFACE,
GOLD FLASH ON TERMINATION.

HEAD HEIGHT CODE
1 - HEAD HEIGHT 'D' = 1.65 [.065]
2 - HEAD HEIGHT 'D' = 1.90 [.075]
3 - HEAD HEIGHT 'D' = 3.53 [.139]



UNLESS OTHERWISE SPECIFIED: DIMENSIONS ARE IN MM [INCH]		DRAWN 2/19/2013	DATE LH	NAME LH	
TOLERANCES: ANGULAR: .X=± .3 [.012] .XX=± .20 [.008] .XXX=± .100 [.0040]		<small>THE INFORMATION HEREIN CONTAINS PROPRIETARY INFORMATION OF SULLINS ELECTRONICS AND IS NOT TO BE REPRODUCED, USED OR DISCLOSED TO OTHERS FOR ANY PURPOSE EXCEPT AS SPECIFICALLY AUTHORIZED IN WRITING BY AN OFFICER OF SULLINS ELECTRONICS.</small>			
SIZE C	CAGE CODE 54453	DWG. NO. 11193	REV D	<small>SCALE: 10:1</small> SHEET 1 OF 1	