



Chipsmall Limited consists of a professional team with an average of over 10 year of expertise in the distribution of electronic components. Based in Hongkong, we have already established firm and mutual-benefit business relationships with customers from,Europe,America and south Asia,supplying obsolete and hard-to-find components to meet their specific needs.

With the principle of “Quality Parts,Customers Priority,Honest Operation,and Considerate Service”,our business mainly focus on the distribution of electronic components. Line cards we deal with include Microchip,ALPS,ROHM,Xilinx,Pulse,ON,Everlight and Freescale. Main products comprise IC,Modules,Potentiometer,IC Socket,Relay,Connector.Our parts cover such applications as commercial,industrial, and automotives areas.

We are looking forward to setting up business relationship with you and hope to provide you with the best service and solution. Let us make a better world for our industry!



Contact us

Tel: +86-755-8981 8866 Fax: +86-755-8427 6832

Email & Skype: info@chipsmall.com Web: www.chipsmall.com

Address: A1208, Overseas Decoration Building, #122 Zhenhua RD., Futian, Shenzhen, China



Product Brief



MICROWAVE & HIGH RELIABILITY PRODUCTS

SMI7336 2x2 Multi-band MIMO

Dual-channel RF transceiver for TDD and HFDD applications

Product Description

SMI7336 is a dual-channel RF transceiver for TDD and HFDD applications. The transceiver supports a full 2 x 2 MIMO configuration with two independent transmit and receive chains. The transceiver uses direct-conversion architecture. The received RF signal is down converted to baseband. Internal switches allow adjustment of the amplitude and phase of the baseband signal to achieve optimal channel balance. The LO is generated by an internal fractional-N synthesizer capable of <100 Hz steps. The internal registers are loaded via a standard SPI interface.

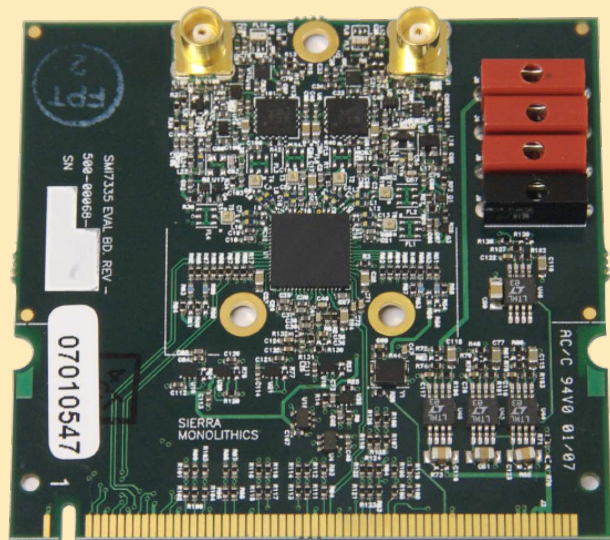
Product Highlights

- ▶ 354 to 870MHz and 2.12 to 3.48GHz frequency coverage
- ▶ Full 2x2 MIMO functionality
- ▶ Supports Wave 2 WiMAX Forum certification
- ▶ EVM<-36db (typical) at 354 to 870MHz and EVM<-32db (typical) at 2.12 to 3.48GHz.
- ▶ DC power, 2.8V and 1.8V Supplies, 280mW in TX mode, 290 mW in RX mode (2x1 config)
- ▶ Direct conversion architecture for lowest cost
- ▶ Supports BW's of 3.5, 5, 7, 8.75, 10, 14 and 20 MHz
- ▶ On-chip peak and log amp detectors

Applications

- ▶ HFDD radios
- ▶ TDD radios

Evaluation Board

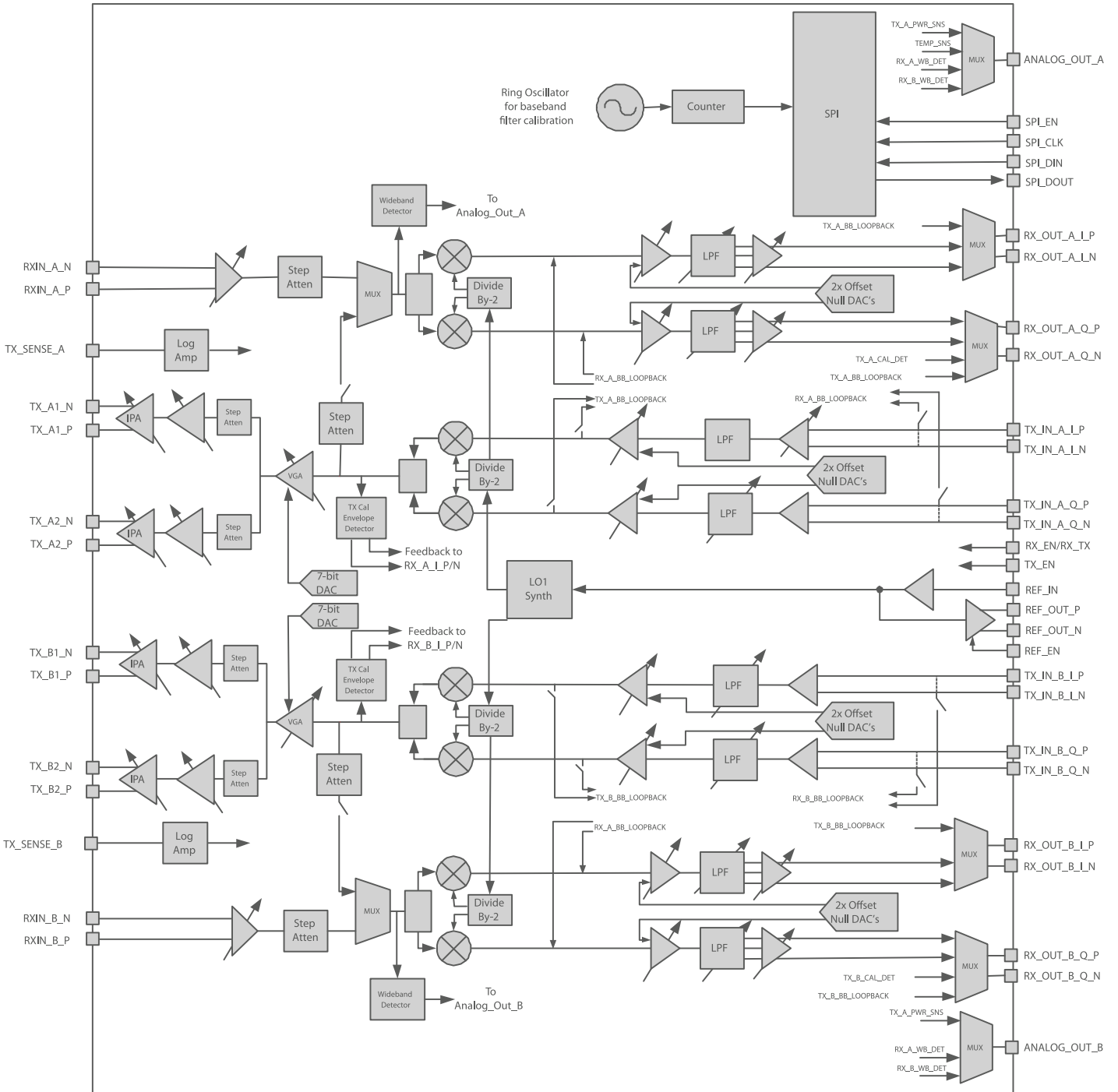


Package

8mm x 8mm 64 lead QFN

Product Brief

SMI7336 Block Diagram — 2x2 MIMO RFIC



Sierra Monolithics Inc. is now part of Semtech Incorporated. ©2010 Semtech Corporation. All Rights Reserved. Specification subject to change without notice.