



Chipsmall Limited consists of a professional team with an average of over 10 year of expertise in the distribution of electronic components. Based in Hongkong, we have already established firm and mutual-benefit business relationships with customers from,Europe,America and south Asia,supplying obsolete and hard-to-find components to meet their specific needs.

With the principle of "Quality Parts,Customers Priority,Honest Operation,and Considerate Service",our business mainly focus on the distribution of electronic components. Line cards we deal with include Microchip,ALPS,ROHM,Xilinx,Pulse,ON,Everlight and Freescale. Main products comprise IC,Modules,Potentiometer,IC Socket,Relay,Connector.Our parts cover such applications as commercial,industrial, and automotives areas.

We are looking forward to setting up business relationship with you and hope to provide you with the best service and solution. Let us make a better world for our industry!



## Contact us

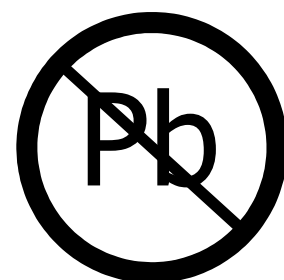
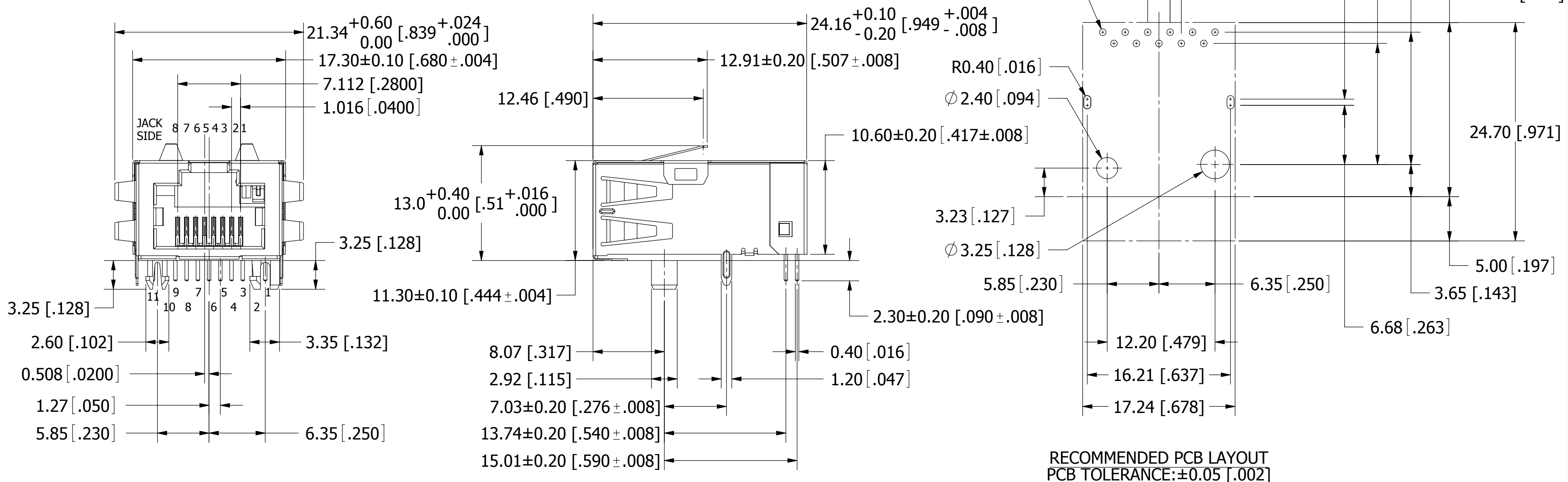
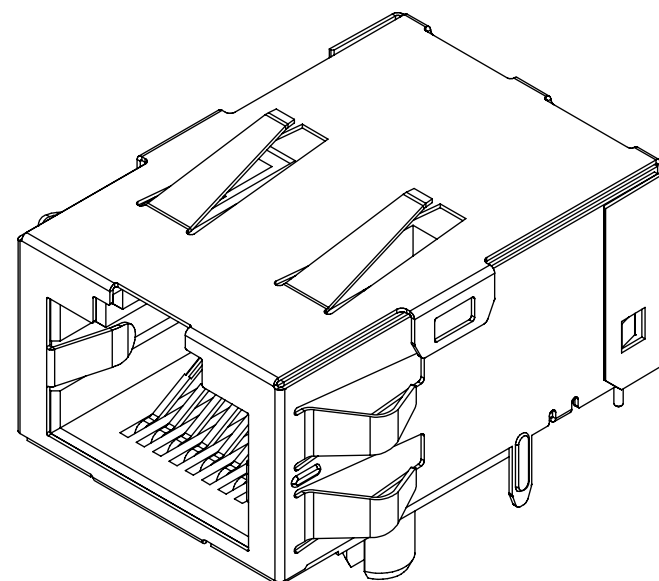
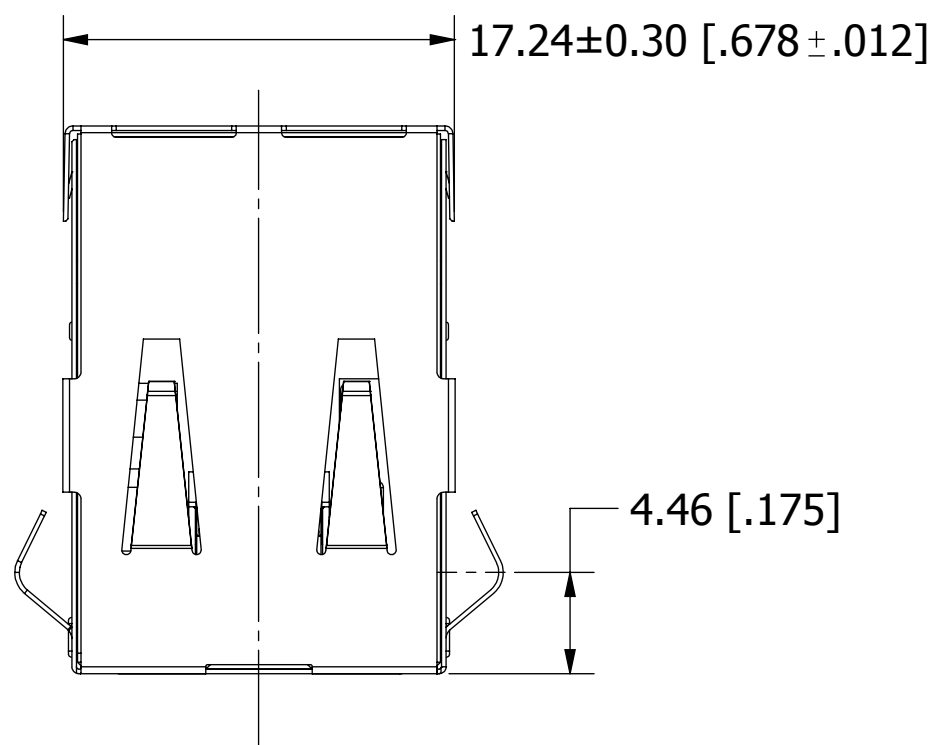
Tel: +86-755-8981 8866 Fax: +86-755-8427 6832

Email & Skype: info@chipsmall.com Web: www.chipsmall.com

Address: A1208, Overseas Decoration Building, #122 Zhenhua RD., Futian, Shenzhen, China



REVISIONS				
REV.	ECO. NO	DESCRIPTION	DATE	BY
A	2406	INITIAL RELEASE	07/27/2011	GC



RoHS COMPLIANT

UNLESS OTHERWISE SPECIFIED: DIMENSIONS ARE IN MM[INCHES]	DRAWN	DATE	NAME	
		07/27/2011	GC	
TOLERANCES: .X=± 0.25 [.01] .XX=± 0.15 [.006] .XXX=± 0.10 [.0040]	THE INFORMATION HEREIN CONTAINS PROPRIETARY INFORMATION OF SULLINS ELECTRONICS AND IS NOT TO BE REPRODUCED, USED OR DISCLOSED TO OTHERS FOR ANY PURPOSE EXCEPT AS SPECIFICALLY AUTHORIZED IN WRITING BY AN OFFICER OF SULLINS ELECTRONICS.			TITLE
	INTERPRET DIMENSIONS AND TOLERANCING PER: ASME Y14.5M-2009			GIGABIT MODULAR JACK DIP TYPE
	PART NUMBER			SMJ001-S88N-DS-11
	SIZE	CAGE CODE	DWG. NO.	REV
	C	54453	11817	A
	SCALE: 2:1		SHEET 1 OF 2	

REVISIONS				
REV.	ECO. NO	DESCRIPTION	DATE	BY
A	2406	INITIAL RELEASE	07/27/2011	GC

**NOTES:**

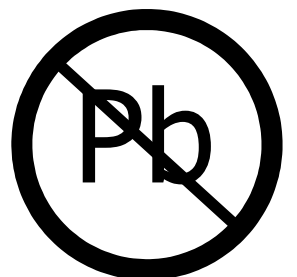
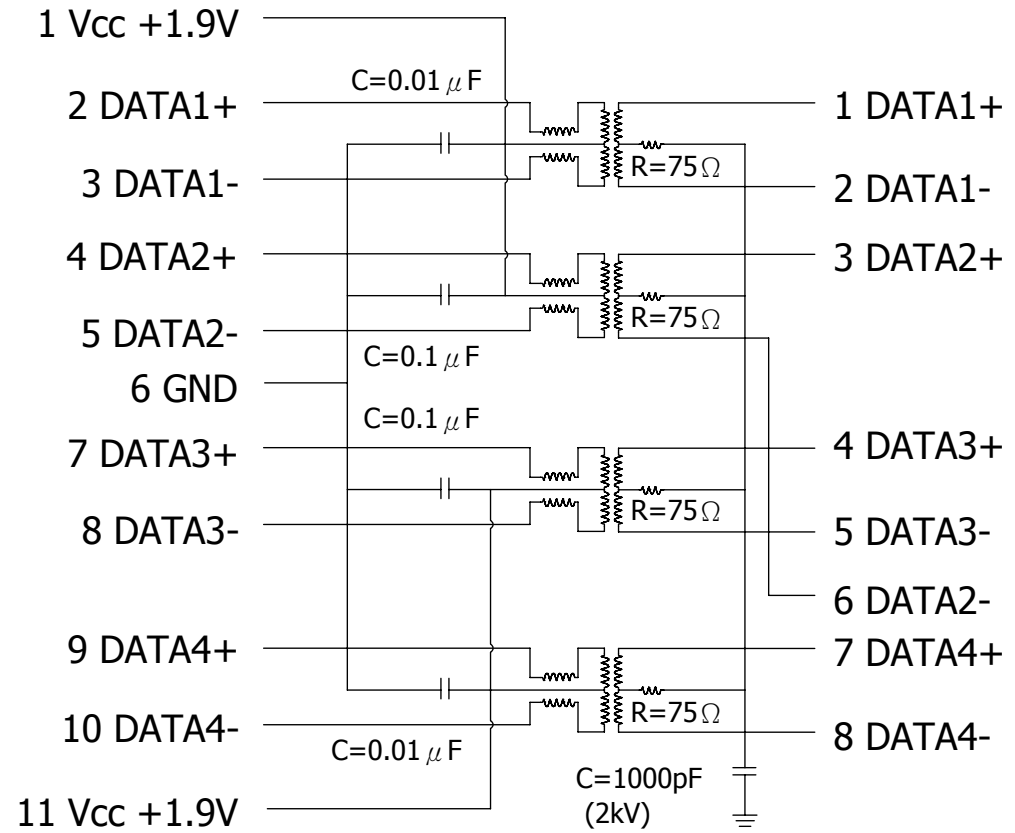
- MATERIAL:**  
 HOUSING: PA46 TS250F6D 9B0040 UL94V-0  
 OVERMOLD: LIQUID CRYSTAL POLYMER GLASS FILLED UL94V-0  
 COIL BOX: LIQUID CRYSTAL POLYMER GLASS FILLED UL94V-0  
 TERMINAL: COPPER ALLOY, .000039" MIN NICKEL UNDERPLATE,  
 .000050" MIN GOLD ON CONTACT SURFACE,  
 .000039" MIN TIN ON TERMINATION.  
 TAIL: C2680 R-H, .000039" MIN NICKEL UNDERPLATE,  
 .000039" MIN TIN ON TERMINATION.  
 SHELL: C2680 R-H, .000039" MIN NICKEL UNDERPLATE,  
 .000039" MIN TIN ON TERMINATION.
- MAGNETICS:**  
 IMPEDANCE: 100 OHMS  
 TRANSMIT OPEN CIRCUIT INDUCTANCE: 350uH MINIMUM @100kHz  
 TURNS RATIO(BOARD:CABLE): TX 1:1 RX 1:1  
 TRANSMIT BIDIRECTIONAL ALL 4 PAIRS  
 RECIEVE BIDIRECTIONAL ALL 4 PAIRS.

DIELECTRIC:CUT OFF CURRENT 1mA MAXIMUM IN 2250 VDC or 1500 VAC/ 1 MINUTE

	TEST ITEM	FREQUENCY	SPECIFICATION REQUIREMENT
1	Insertion Loss	100KHz	1.2 dB MAXIMUM
		1~125MHz	0.2+0.002*(f MHz)^1.4 dB MAXIMUM
2	Return Loss	0.1~30MHz	16 dB MINIMUM
		30~60MHz	10-20*LOG10(f MHz/60) dB MINIMUM
		60~100MHz	10 dB MINIMUM
3	Common Mode to Common Mode Rejection	2~20MHz	35 dB MINIMUM
		20~200MHz	15-20*LOG10(f MHz/200) dB MINIMUM
4	Common Mode to Differential Mode Conversion	2~15MHz	40 dB MINIMUM
		16~200MHz	15-20*LOG10(f MHz/200) dB MINIMUM
5	Near End Cross-Talk	1~15MHz	35 dB MINIMUM
		16~100MHz	24 dB MINIMUM

**PCB SIDE**

**JACK SIDE**



**RoHS COMPLIANT**

UNLESS OTHERWISE SPECIFIED: DIMENSIONS ARE IN MM[INCHES]	DRAWN	DATE	NAME	
		07/27/2011	GC	
TOLERANCES: .X=± 0.25 [.01] .XX=± 0.15 [.006] .XXX=± 0.10 [.0040]	THE INFORMATION HEREIN CONTAINS PROPRIETARY INFORMATION OF SULLINS ELECTRONICS AND IS NOT TO BE REPRODUCED, USED OR DISCLOSED TO OTHERS FOR ANY PURPOSE EXCEPT AS SPECIFICALLY AUTHORIZED IN WRITING BY AN OFFICER OF SULLINS ELECTRONICS.			TITLE
	INTERPRET DIMENSIONS AND TOLERANCING PER: ASME Y14.5M-2009			GIGABIT MODULAR JACK DIP TYPE
PART NUMBER				SMJ001-S88N-DS-11
SIZE	CAGE CODE	DWG. NO.	REV	
C	54453	11817	A	
SCALE: 2:1			SHEET 2 OF 2	