



Chipsmall Limited consists of a professional team with an average of over 10 year of expertise in the distribution of electronic components. Based in Hongkong, we have already established firm and mutual-benefit business relationships with customers from,Europe,America and south Asia,supplying obsolete and hard-to-find components to meet their specific needs.

With the principle of “Quality Parts,Customers Priority,Honest Operation,and Considerate Service”,our business mainly focus on the distribution of electronic components. Line cards we deal with include Microchip,ALPS,ROHM,Xilinx,Pulse,ON,Everlight and Freescale. Main products comprise IC,Modules,Potentiometer,IC Socket,Relay,Connector.Our parts cover such applications as commercial,industrial, and automotives areas.

We are looking forward to setting up business relationship with you and hope to provide you with the best service and solution. Let us make a better world for our industry!



Contact us

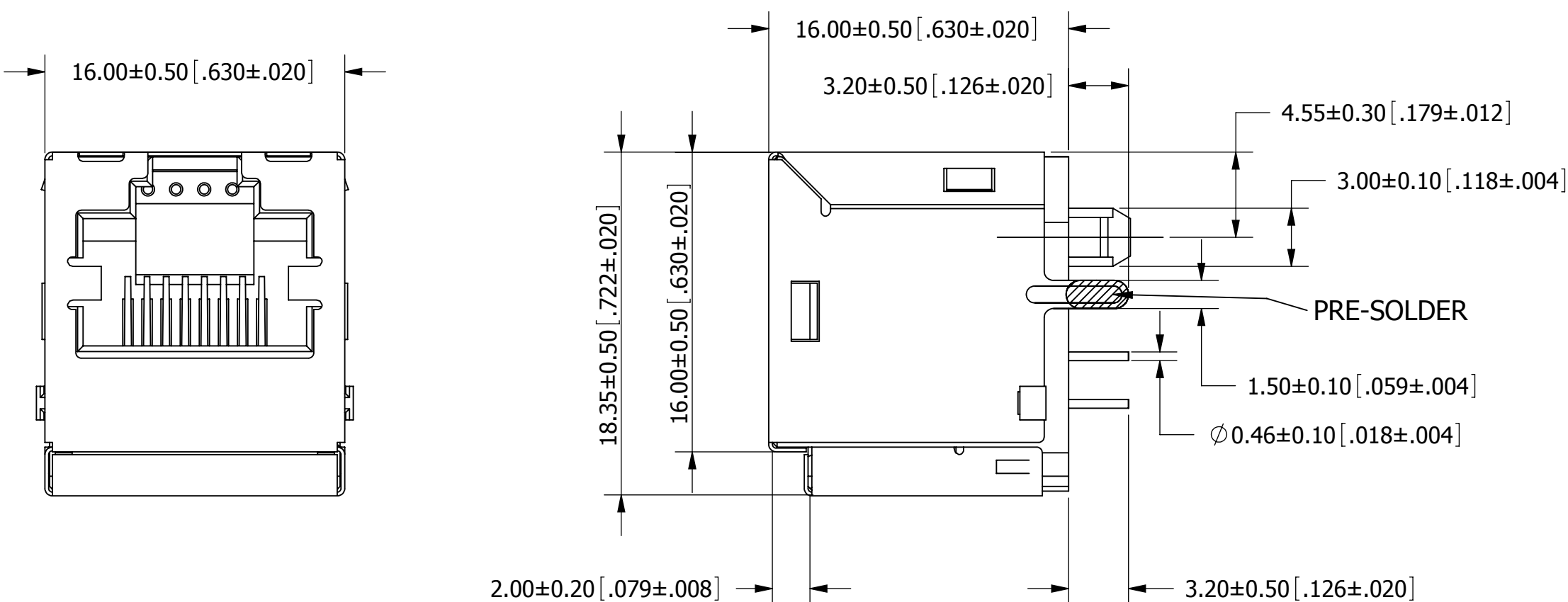
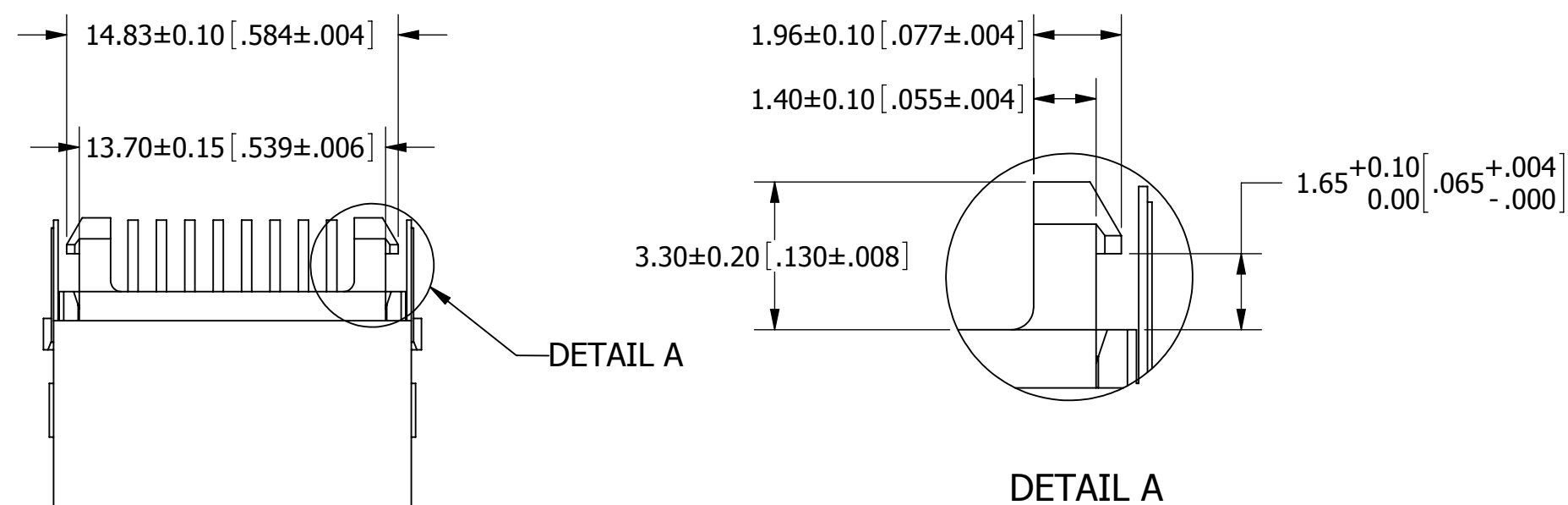
Tel: +86-755-8981 8866 Fax: +86-755-8427 6832

Email & Skype: info@chipsmall.com Web: www.chipsmall.com

Address: A1208, Overseas Decoration Building, #122 Zhenhua RD., Futian, Shenzhen, China



REVISIONS				
REV.	ECO. NO	DESCRIPTION	DATE	BY
A	2406	INITIAL RELEASE	08/01/2011	GC
B	2477	UPDATE 3 VIEWS, TOLERANCES TABLE AND SCHEMATIC TD- 2 (WAS RD- 2)	12/08/2011	LH
C	2604	UPDATE NOTE 1 SHELL MATERIAL BRASS C2680H (WAS STAINLESS STEEL)	05/31/2012	LH



NOTES:

1. MATERIAL:

- Plastic Housing:
- RJ Housing: PBT, UL94V-0, Black
- Transformer Housing: Phenolic, UL94V-0, Black
- Terminals:
- RJ Contacts: 0.25mm Thickness, Phosphor Bronze C5191H
- Shields:
- Shell: 0.2mm Thickness, Brass C2680H
- PCB: FR-4 Two layer PCB

2. PLATING:

- RJ Contact: .000050" min. Nickel Underplate, .000006" Selective Gold.

Shield Grounding Legs: Pre-soldering

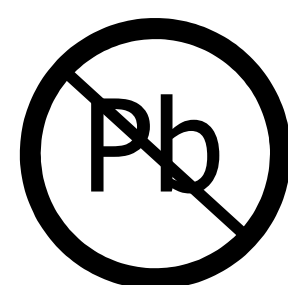
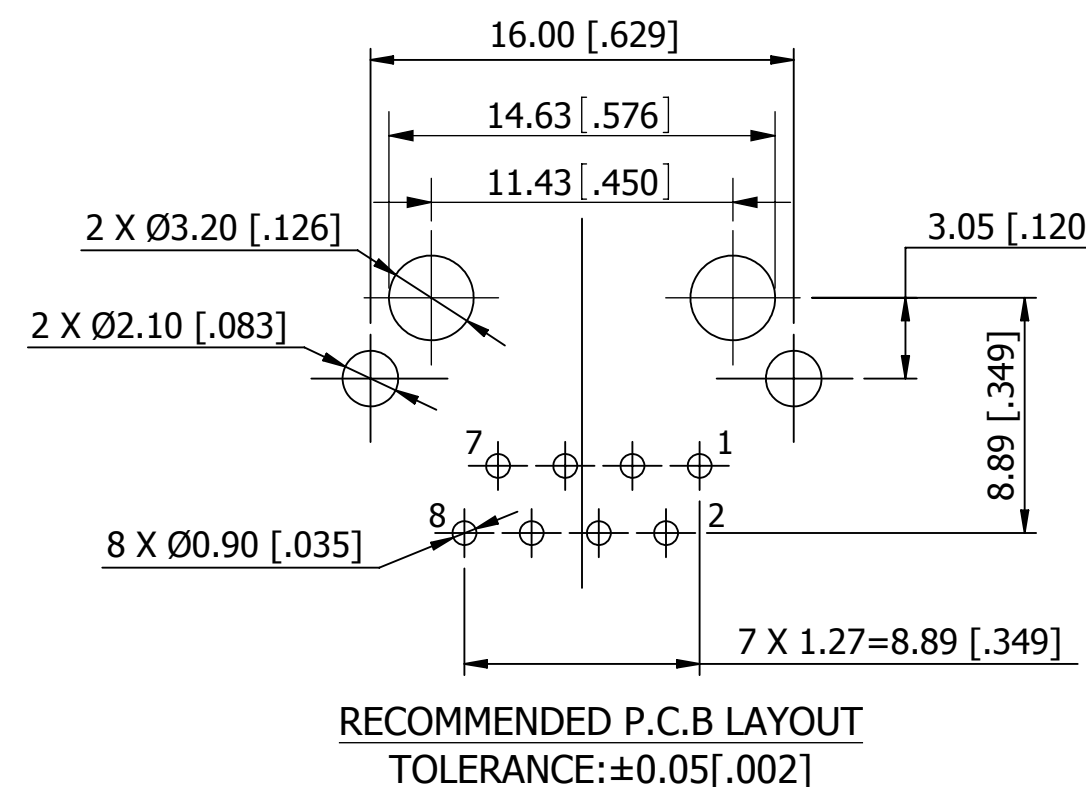
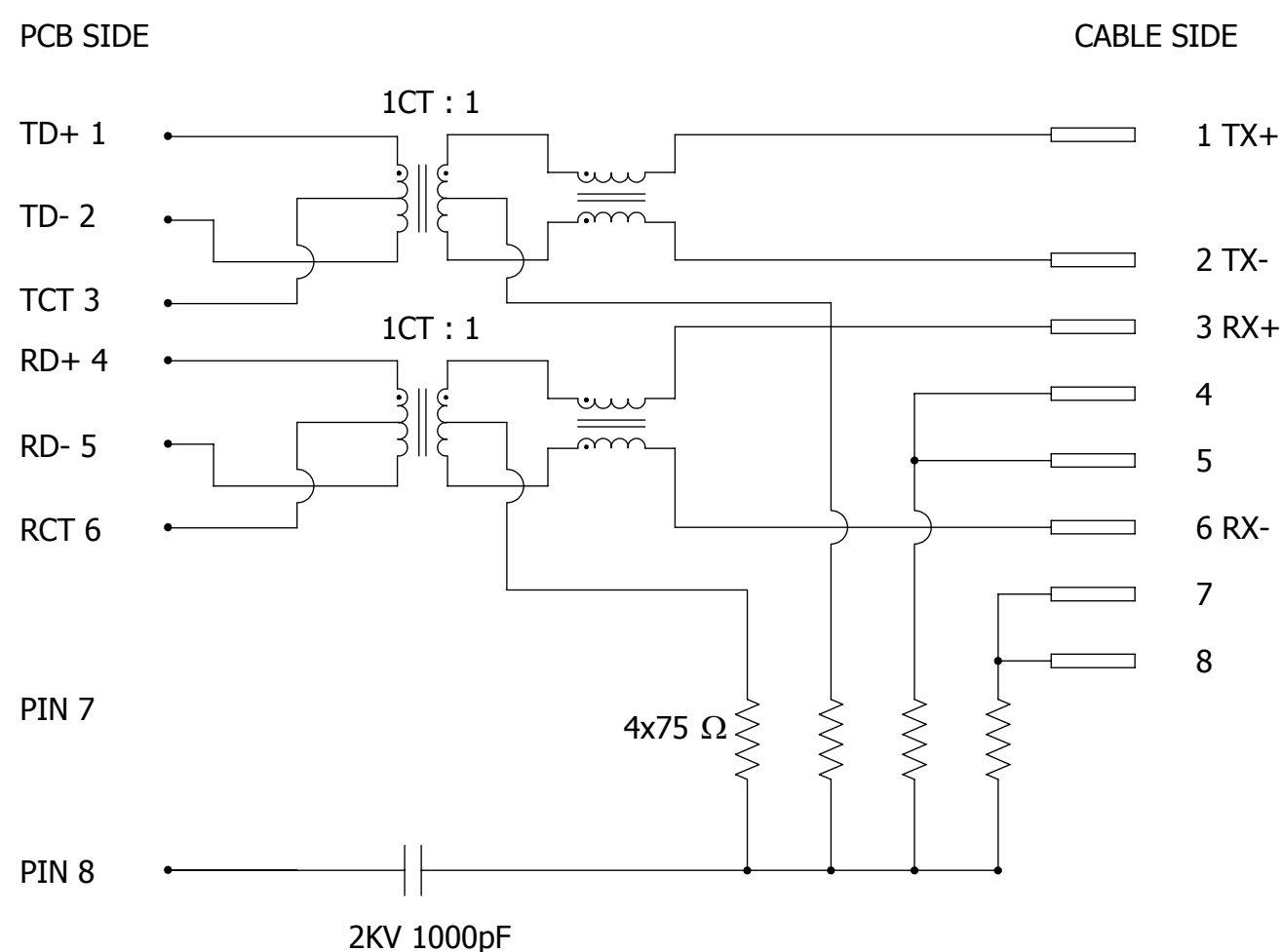
3. RoHS Compliance per EU Directive 2002/95/EC

4. Transmitter & Receiver Filter:

Insertion Loss (dB Max)	Return Loss at 100Ω (dB Max)		
	1~30MHz	30~60MHz	60~80MHz
1~100MHz	-18	-16	-12
-1.0			

- 5. Common Mode Rejection @ 1~100 MHz: -30dB MIN
- 6. Cross Talk @ 1~100 MHz: -35dB MIN
- 7. Inductance @ 100KHz/ 0.1V,8mA DC BIAS: 350mH MIN
- 8. HiPot Test: 1500Vrms, 60sec
- 9. Operating Temperature Range: 0°C TO +70°C

SCHEMATIC:



RoHS COMPLIANT

UNLESS OTHERWISE SPECIFIED: DIMENSIONS ARE IN MM[INCHES]	DRAWN	DATE	NAME		
		08/01/2011	GC		
TOLERANCES: ANGULAR: DECIMALS: X=± .4 [.016] XX=± .25 [.010] XXX=± .130 [.0051]	THE INFORMATION HEREIN CONTAINS PROPRIETARY INFORMATION OF SULLINS ELECTRONICS AND IS NOT TO BE REPRODUCED, USED OR DISCLOSED TO OTHERS FOR ANY PURPOSE EXCEPT AS SPECIFICALLY AUTHORIZED IN WRITING BY AN OFFICER OF SULLINS ELECTRONICS.			TITLE	VERTICAL RJ45 10/100 BASE-T
				PART NUMBER	SMJ100-T88I-DS-11
	SIZE	CAGE CODE	DWG. NO.	REV	
	C	54453	11819	C	
	SCALE: 2:1	SHEET 1 OF 1			