



Chipsmall Limited consists of a professional team with an average of over 10 year of expertise in the distribution of electronic components. Based in Hongkong, we have already established firm and mutual-benefit business relationships with customers from,Europe,America and south Asia,supplying obsolete and hard-to-find components to meet their specific needs.

With the principle of “Quality Parts,Customers Priority,Honest Operation,and Considerate Service”,our business mainly focus on the distribution of electronic components. Line cards we deal with include Microchip,ALPS,ROHM,Xilinx,Pulse,ON,Everlight and Freescale. Main products comprise IC,Modules,Potentiometer,IC Socket,Relay,Connector.Our parts cover such applications as commercial,industrial, and automotives areas.

We are looking forward to setting up business relationship with you and hope to provide you with the best service and solution. Let us make a better world for our industry!



Contact us

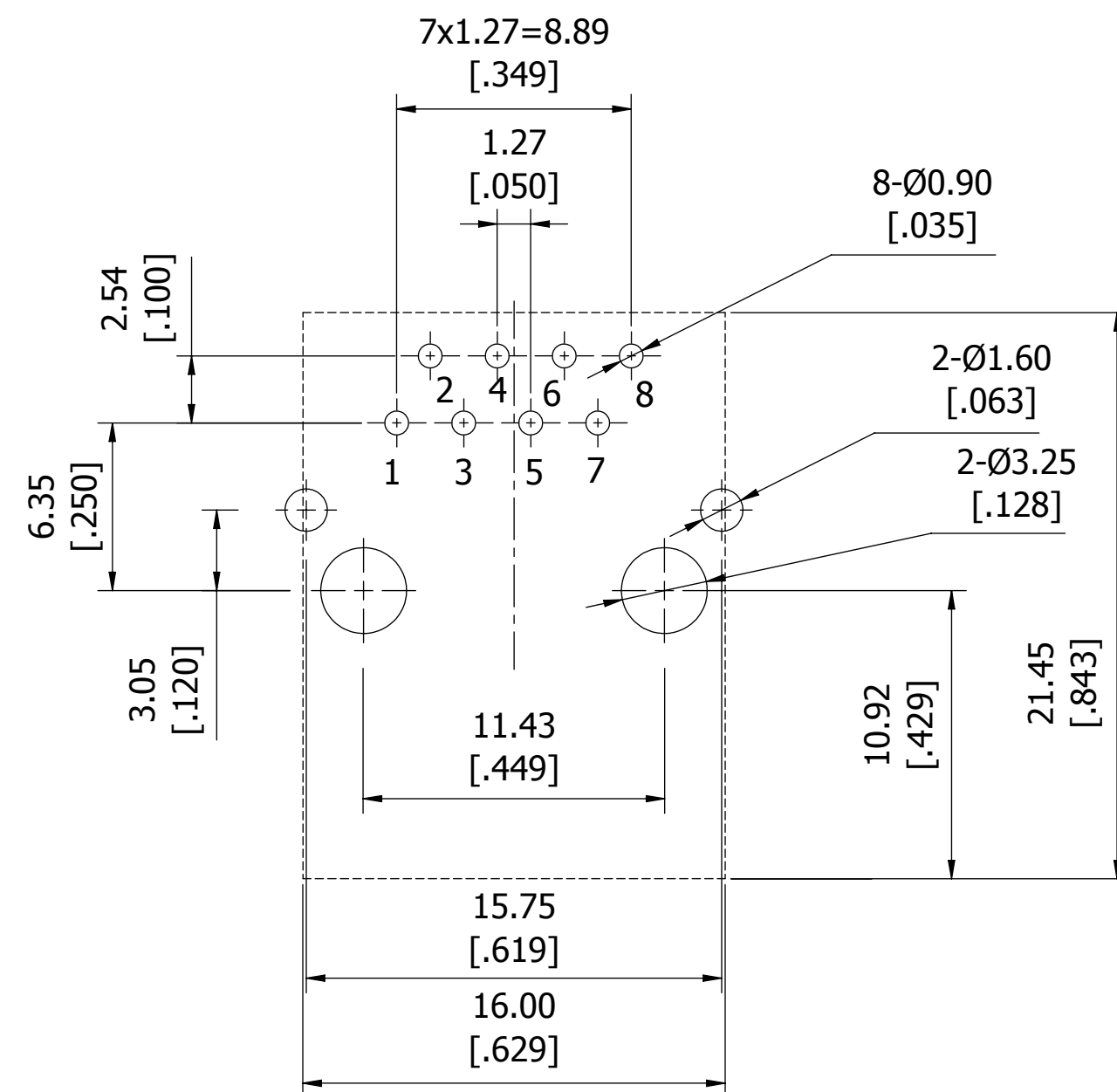
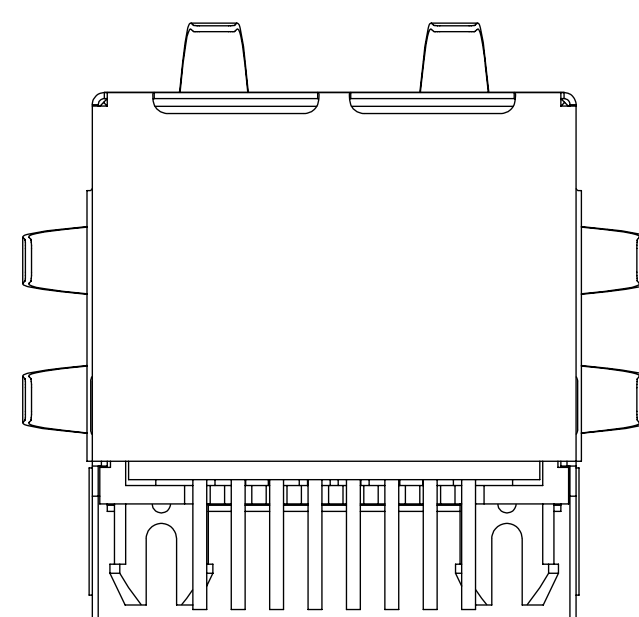
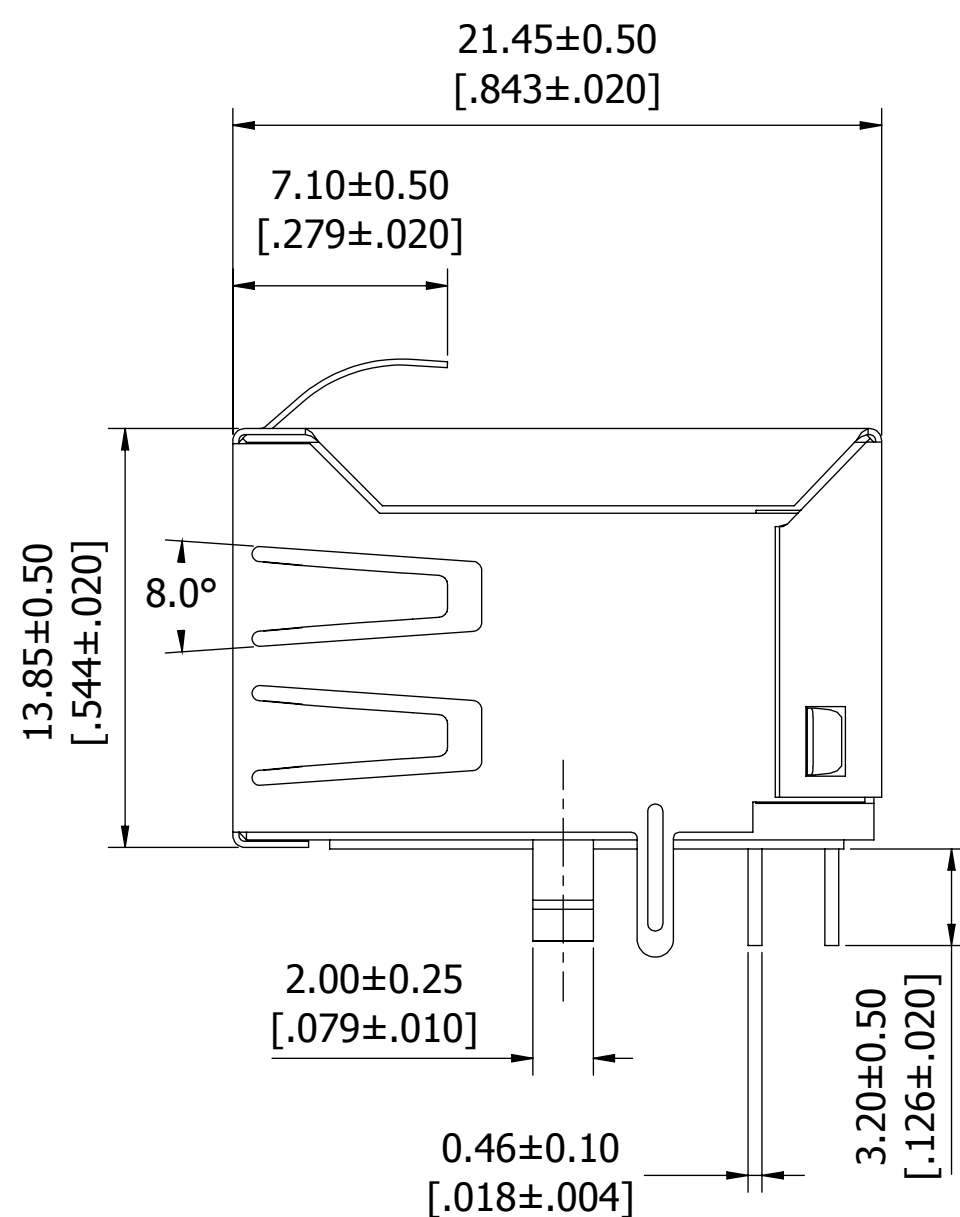
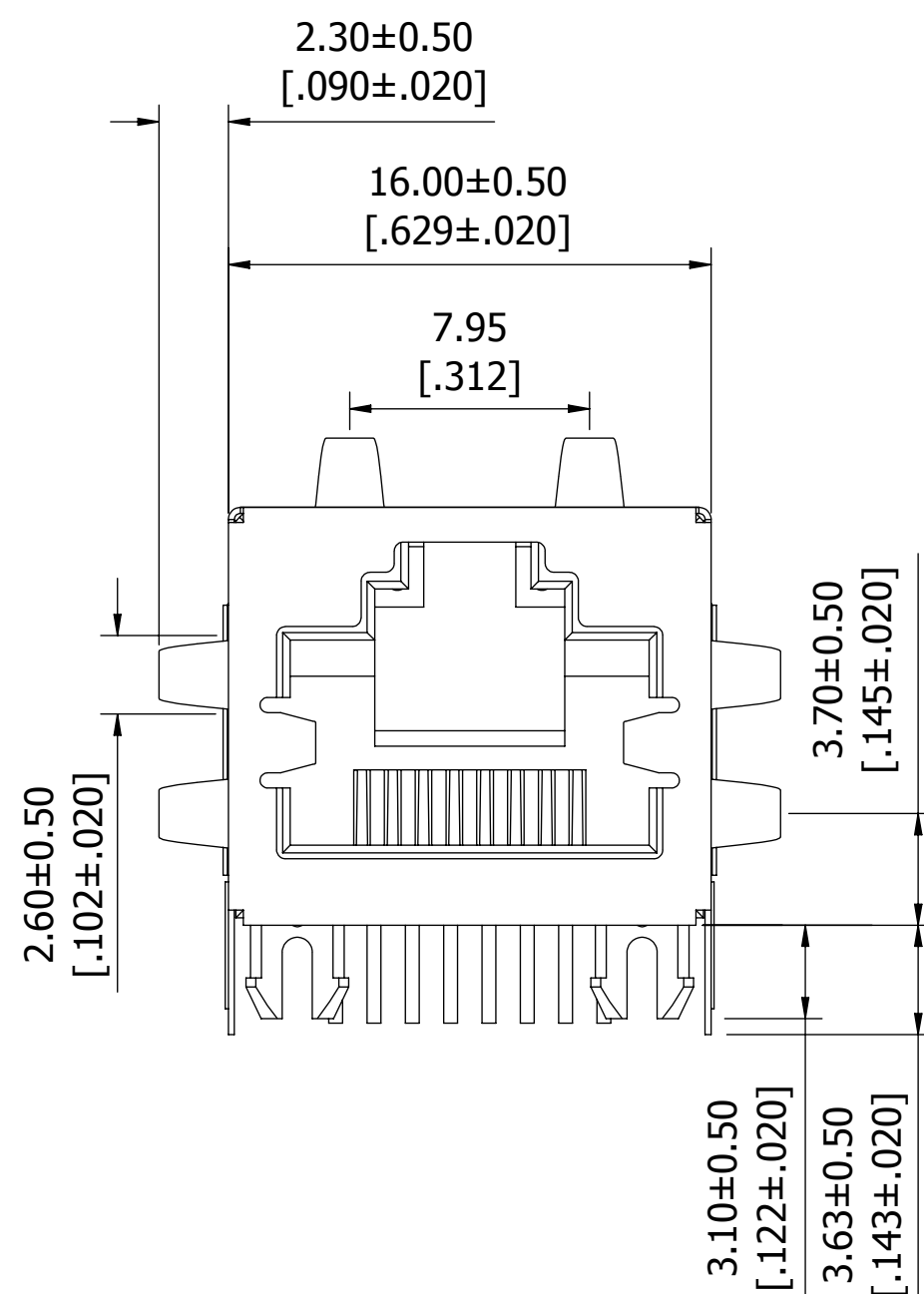
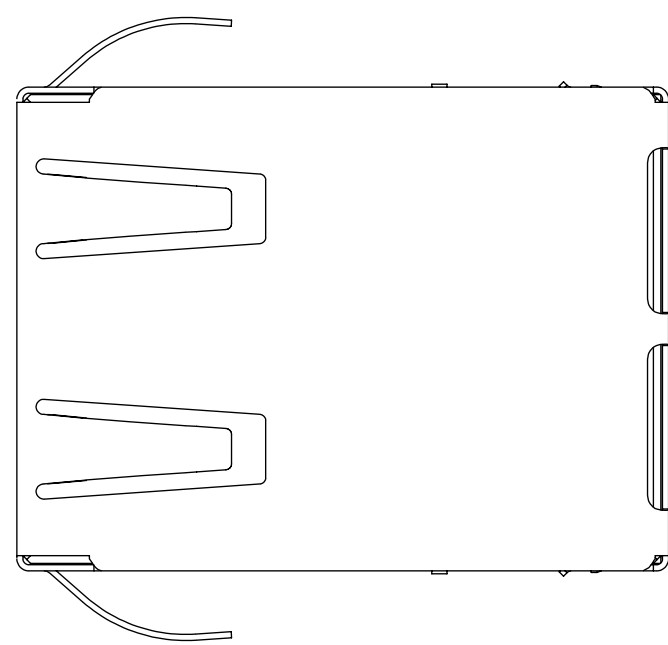
Tel: +86-755-8981 8866 Fax: +86-755-8427 6832

Email & Skype: info@chipsmall.com Web: www.chipsmall.com

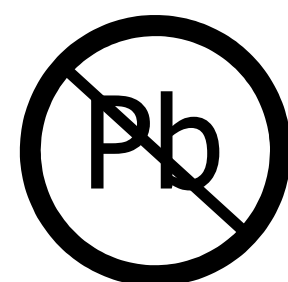
Address: A1208, Overseas Decoration Building, #122 Zhenhua RD., Futian, Shenzhen, China



REVISIONS				
REV.	ECO. NO	DESCRIPTION	DATE	BY
A	2406	INITIAL RELEASE	08/01/2011	GC
B	2604	UPDATE PAGE 2 SCHEMATIC TD- 2 (WAS RD- 2)	05/31/2012	LH

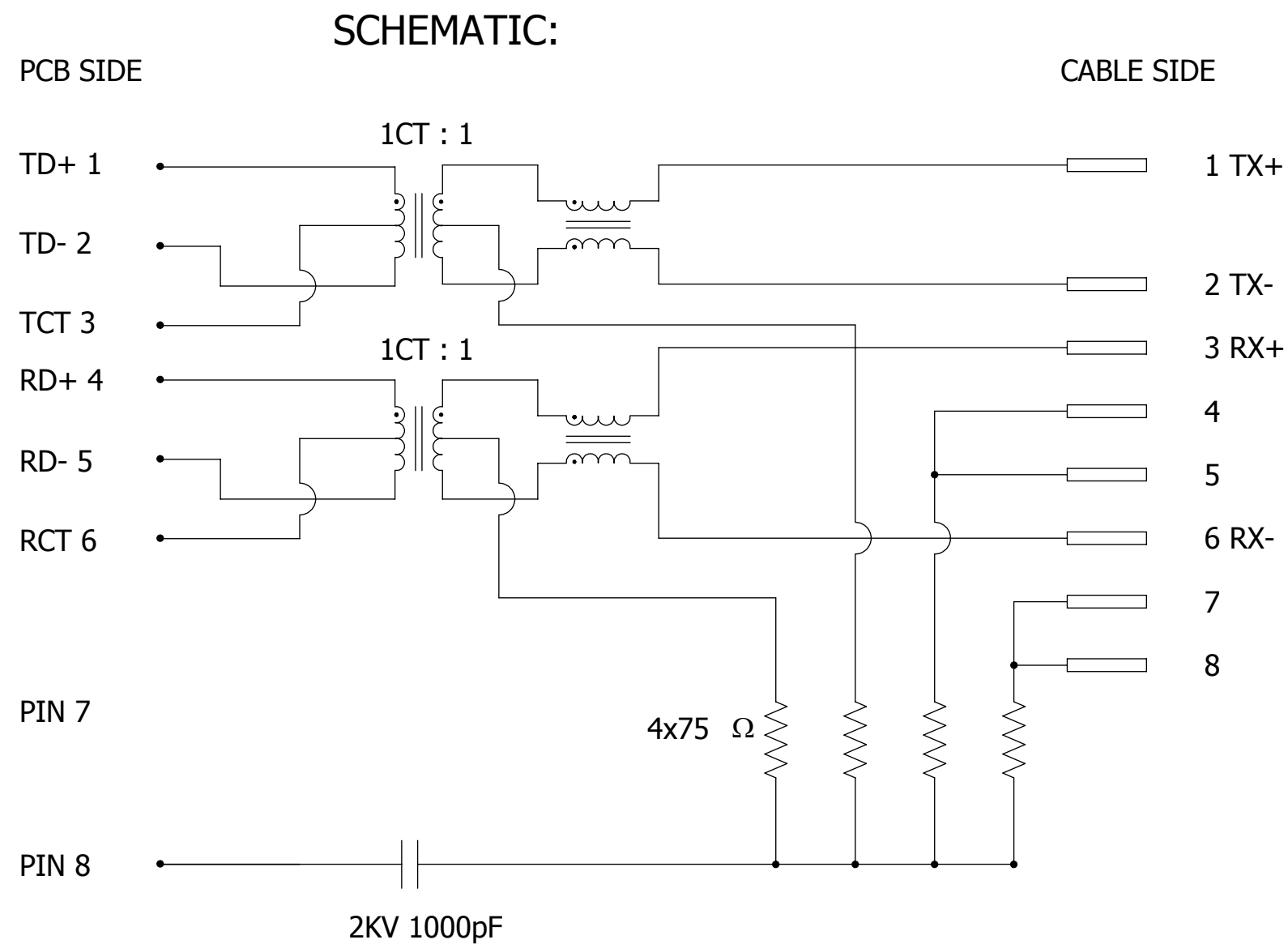


RECOMMENDED P.C.B LAYOUT
TOLERANCE: ±0.05 [.002]



RoHS COMPLIANT

UNLESS OTHERWISE SPECIFIED: DIMENSIONS ARE IN MM[INCHES]	DRAWN	DATE	NAME	
		08/01/2011	GC	
TOLERANCES: ANGULAR: DECIMALS: X=± .25 [.01] XX=± .15 [.006] XXX=± .100 [.0040]	<small>THE INFORMATION HEREIN CONTAINS PROPRIETARY INFORMATION OF SULLINS ELECTRONICS AND IS NOT TO BE REPRODUCED, USED OR DISCLOSED TO OTHERS FOR ANY PURPOSE EXCEPT AS SPECIFICALLY AUTHORIZED IN WRITING BY AN OFFICER OF SULLINS ELECTRONICS.</small>			TITLE
				1x1 TAB UP RJ45 10/100 BASE-T WITHOUT LED
PART NUMBER				SMJ102-S88I-DS-11
SIZE	CAGE CODE	DWG. NO.	REV	
C	54453	11820	B	
SCALE: 4:1			SHEET 1 OF 2	



NOTES:

1.MATERIAL:

Plastic Housing:
 RJ Housing: NY46,UL94V-0 ,Black
 Transformer Housing:Phenolic ,UL94v-0 ,Black
 Terminals:
 RJ Contacts:0.25mm Thickness,Phosphor Bronze C5191H
 RJ Solder pin:Ø0.46mm ,Phosphor Bronze C5191H
 Shields:
 Shell:0.2mm Thickness,Brass C2680H
 PCB:FR-4 Two layer PCB

2.PLATING:

RJ Contact: .000050" min. Nickel underplate,
 .000006" min gold on contact surface,
 .000050" min Tin on termination.
 RJ Solder pin:Pre-soldering on soldertail,
 .000030" min nickel underplate.
 Shell: .000030" min Nickel overall, Pre-soldering on ground legs

3.RoHS Compliance per EU Directive 2002/95/EC

4.Transmitter & Receiver Filter:

Insertion Loss (dB Max)	Return Loss at 100Ω (dB Max)			
	1~100MHz	1~30MHz	30~60MHz	60~80MHz
-1.0	-18	-16	-12	

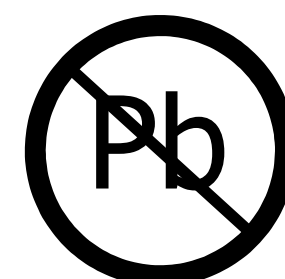
5.Common Mode Rejection @ 1~100 MHz: -30dB MIN

6.Cross Talk @ 1~100 MHz: -35dB MIN

7.Inductance @ 100KHz/ 0.1V, 8mA DC BIAS: 350uH MIN

8.HiPot Test: 1500Vrms, 60sec

9.Operating Temperature Range: 0°C TO +70°C



RoHS COMPLIANT

UNLESS OTHERWISE SPECIFIED: DIMENSIONS ARE IN MM[INCHES]	DRAWN	DATE	NAME		
		08/01/2011	GC		
	TOLERANCES: ANGULAR: DECIMALS: .X=± .25 [.01] .XX=± .15 [.006] .XXX=± .100 [.0040]				TITLE 1x1 TAB UP RJ45 10/100 BASE-T WITHOUT LED
	THE INFORMATION HEREIN CONTAINS PROPRIETARY INFORMATION OF SULLINS ELECTRONICS AND IS NOT TO BE REPRODUCED, USED OR DISCLOSED TO OTHERS FOR ANY PURPOSE EXCEPT AS SPECIFICALLY AUTHORIZED IN WRITING BY AN OFFICER OF SULLINS ELECTRONICS.				PART NUMBER SMJ102-S88I-DS-11
		SIZE C	CAGE CODE 54453	DWG. NO. 11820	REV B
				SCALE: 4:1	SHEET 2 OF 2