



Chipsmall Limited consists of a professional team with an average of over 10 year of expertise in the distribution of electronic components. Based in Hongkong, we have already established firm and mutual-benefit business relationships with customers from,Europe,America and south Asia,supplying obsolete and hard-to-find components to meet their specific needs.

With the principle of “Quality Parts,Customers Priority,Honest Operation,and Considerate Service”,our business mainly focus on the distribution of electronic components. Line cards we deal with include Microchip,ALPS,ROHM,Xilinx,Pulse,ON,Everlight and Freescale. Main products comprise IC,Modules,Potentiometer,IC Socket,Relay,Connector.Our parts cover such applications as commercial,industrial, and automotives areas.

We are looking forward to setting up business relationship with you and hope to provide you with the best service and solution. Let us make a better world for our industry!



Contact us

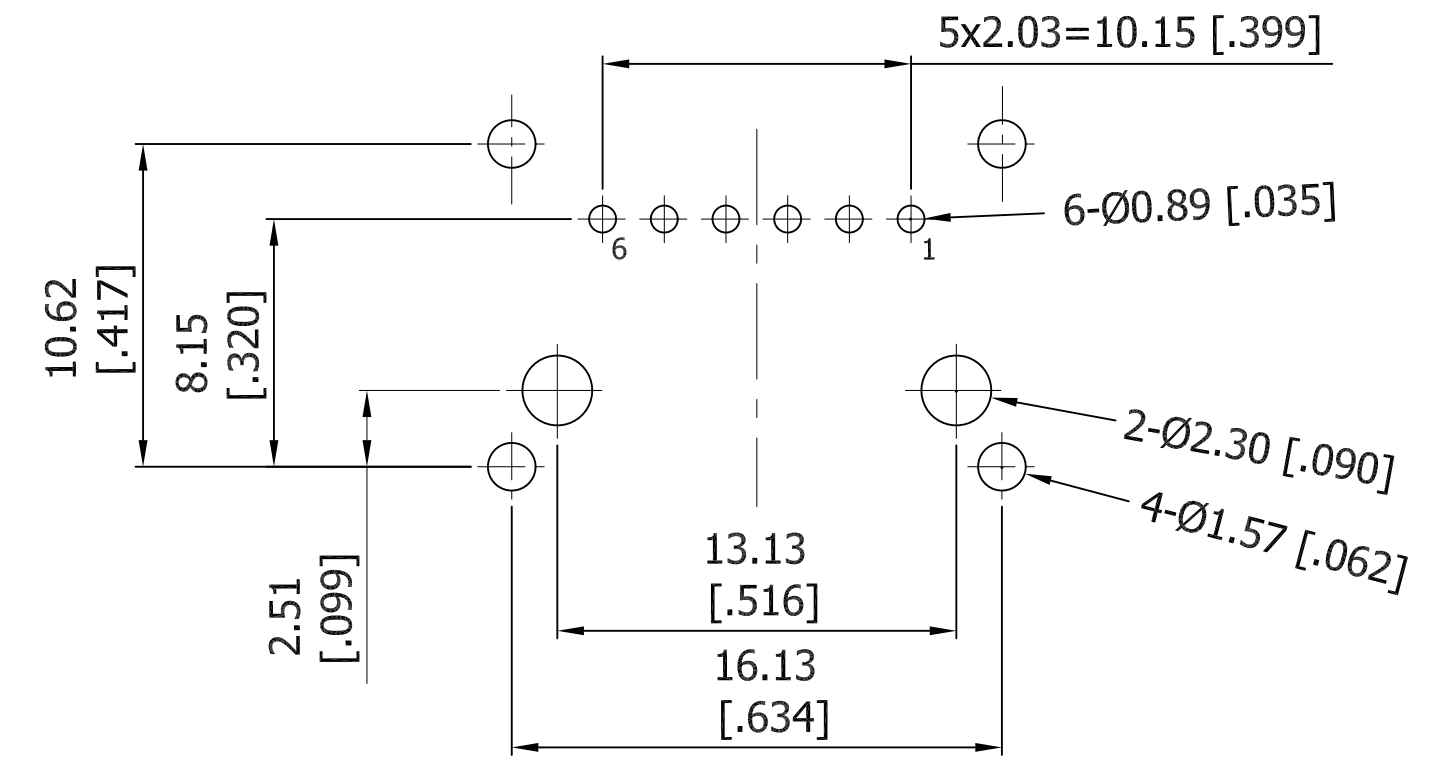
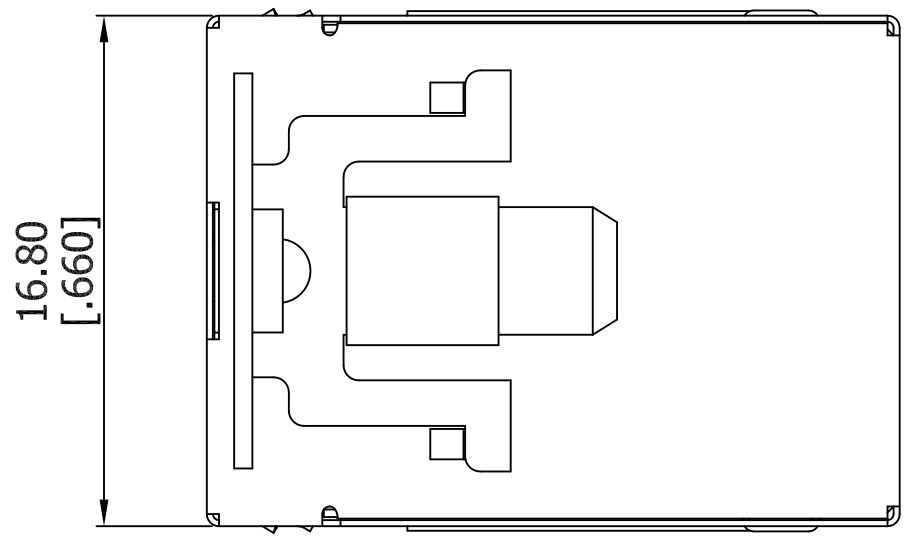
Tel: +86-755-8981 8866 Fax: +86-755-8427 6832

Email & Skype: info@chipsmall.com Web: www.chipsmall.com

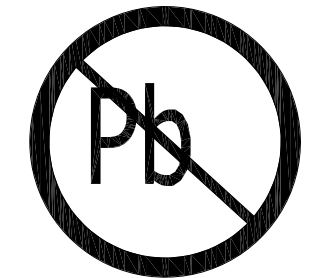
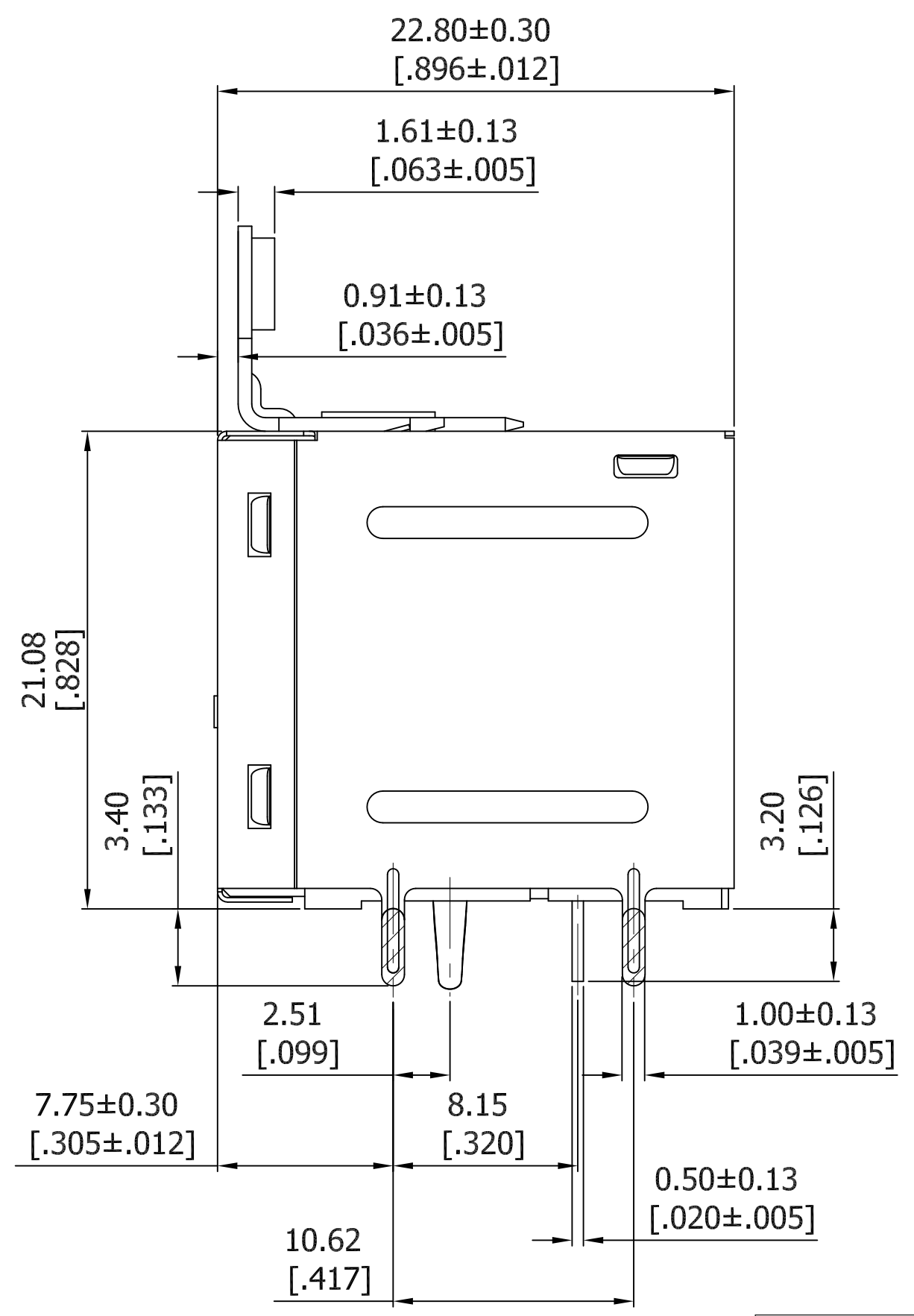
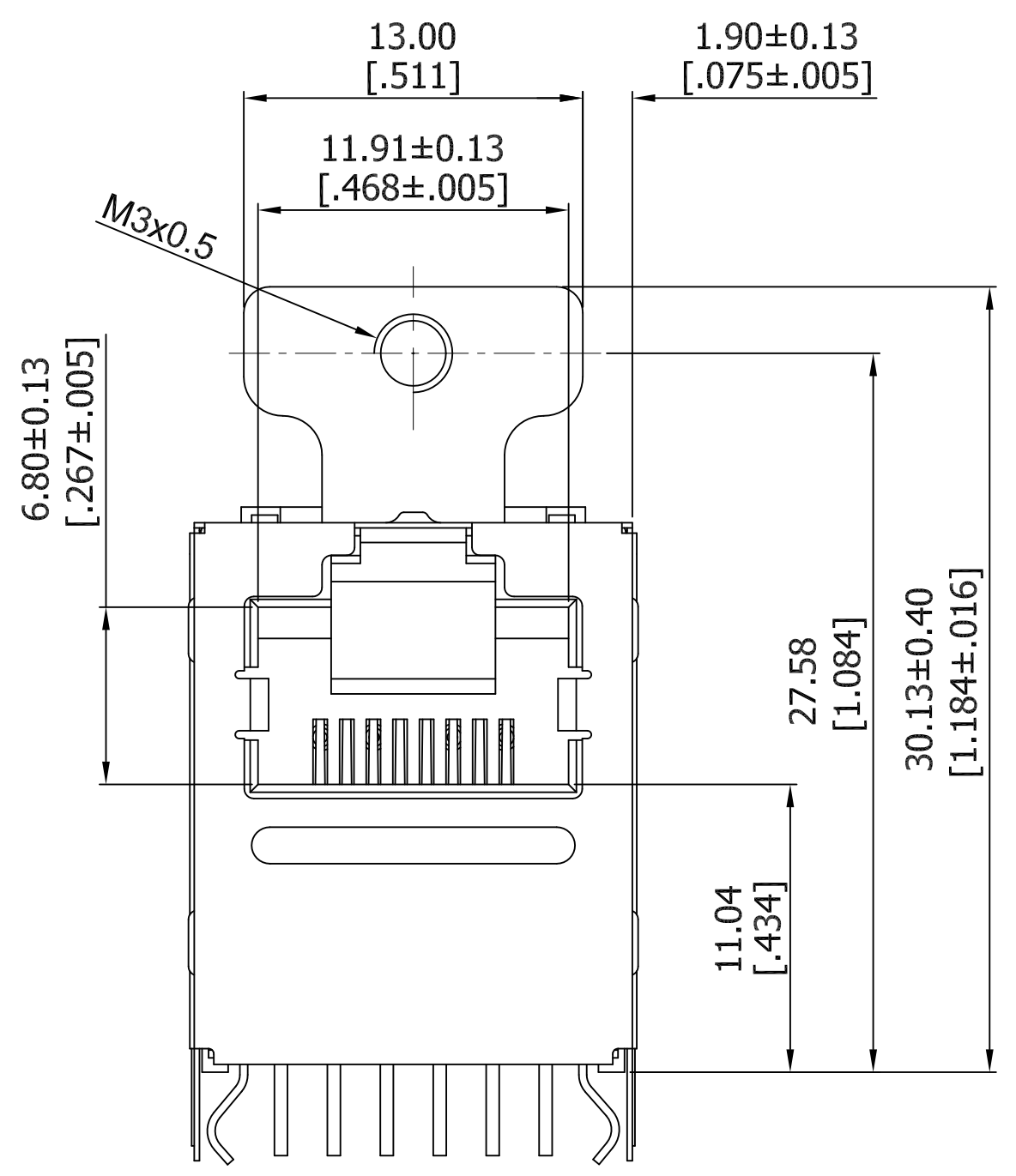
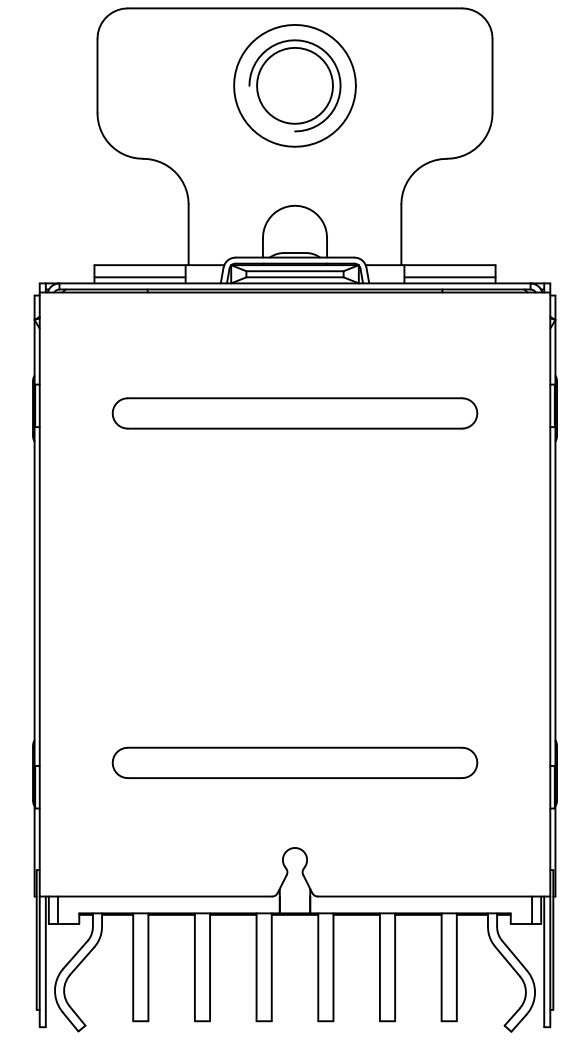
Address: A1208, Overseas Decoration Building, #122 Zhenhua RD., Futian, Shenzhen, China



REVISIONS				
REV.	ECO. NO	DESCRIPTION	DATE	BY
A	2406	INITIAL RELEASE	08/01/2011	GC



RECOMMENDED PCB LAYOUT
TOLERANCE: ±0.05 [.002]



RoHS COMPLIANT

UNLESS OTHERWISE SPECIFIED:
DIMENSIONS ARE IN MM[INCHES]

TOLERANCES:
.X=± 0.25 [.01]
.XX=± 0.15 [.006]
.XXX=± 0.10 [.0040]

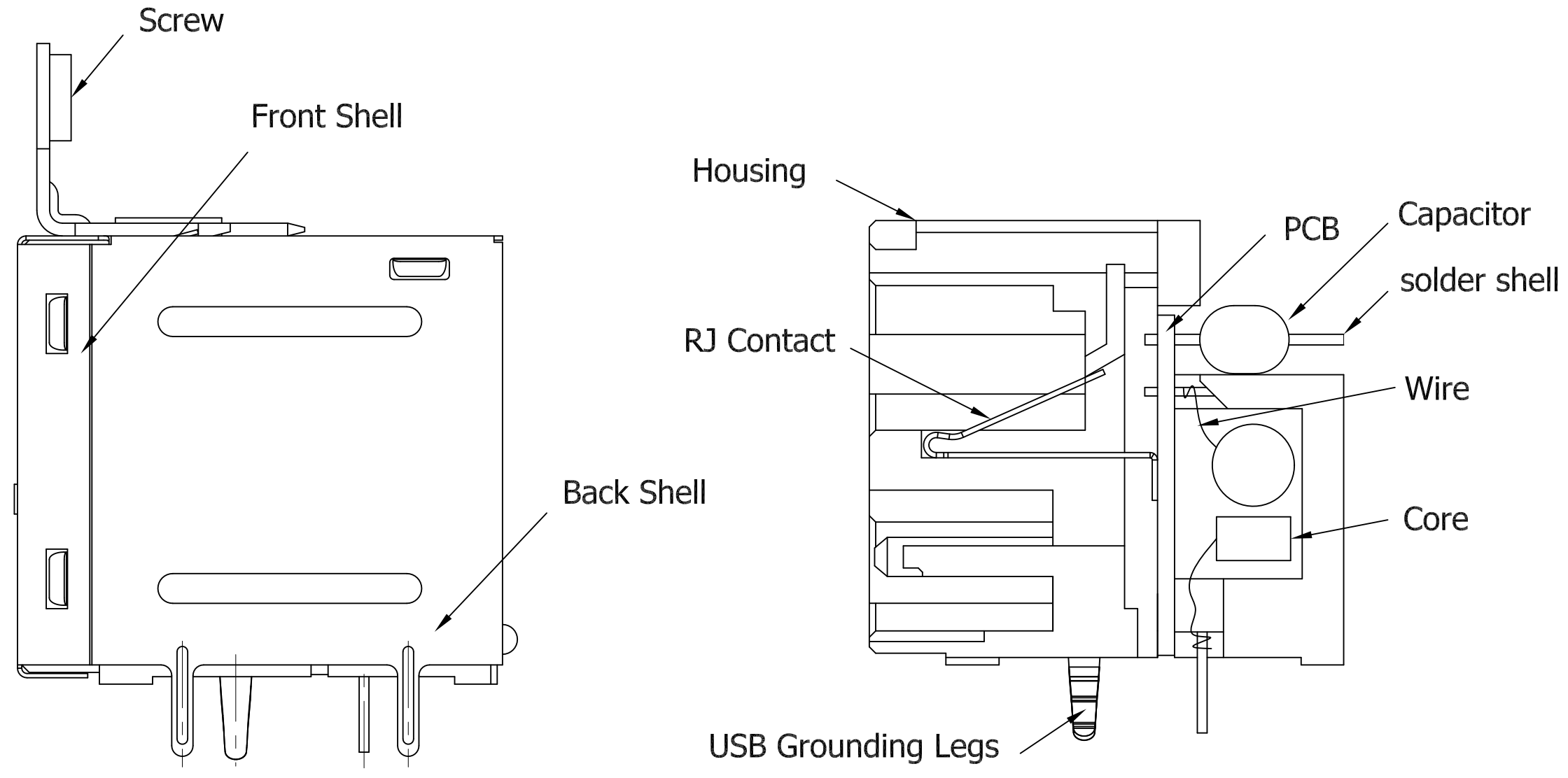
INTERPRET DIMENSIONS
AND TOLERANCING
PER: ASME Y14.5M-2009

DRAWN	DATE	NAME
	08/01/2011	GC
<small>THE INFORMATION HEREIN CONTAINS PROPRIETARY INFORMATION OF SULLINS ELECTRONICS AND IS NOT TO BE REPRODUCED, USED OR DISCLOSED TO OTHERS FOR ANY PURPOSE EXCEPT AS SPECIFICALLY AUTHORIZED IN WRITING BY AN OFFICER OF SULLINS ELECTRONICS.</small>		

TITLE SINGLE PORT RJ45, 10/100 BASE-T (WITHOUT USB)			
PART NUMBER SMJ201-S66C-DS-11			
SIZE	CAGE CODE	DWG. NO.	REV
C	54453	11825	A
SCALE: 4:1		SHEET 1 OF 2	

REVISIONS				
REV.	ECO. NO	DESCRIPTION	DATE	BY
A	2406	INITIAL RELEASE	08/01/2011	GC

CONSTRUCTION:

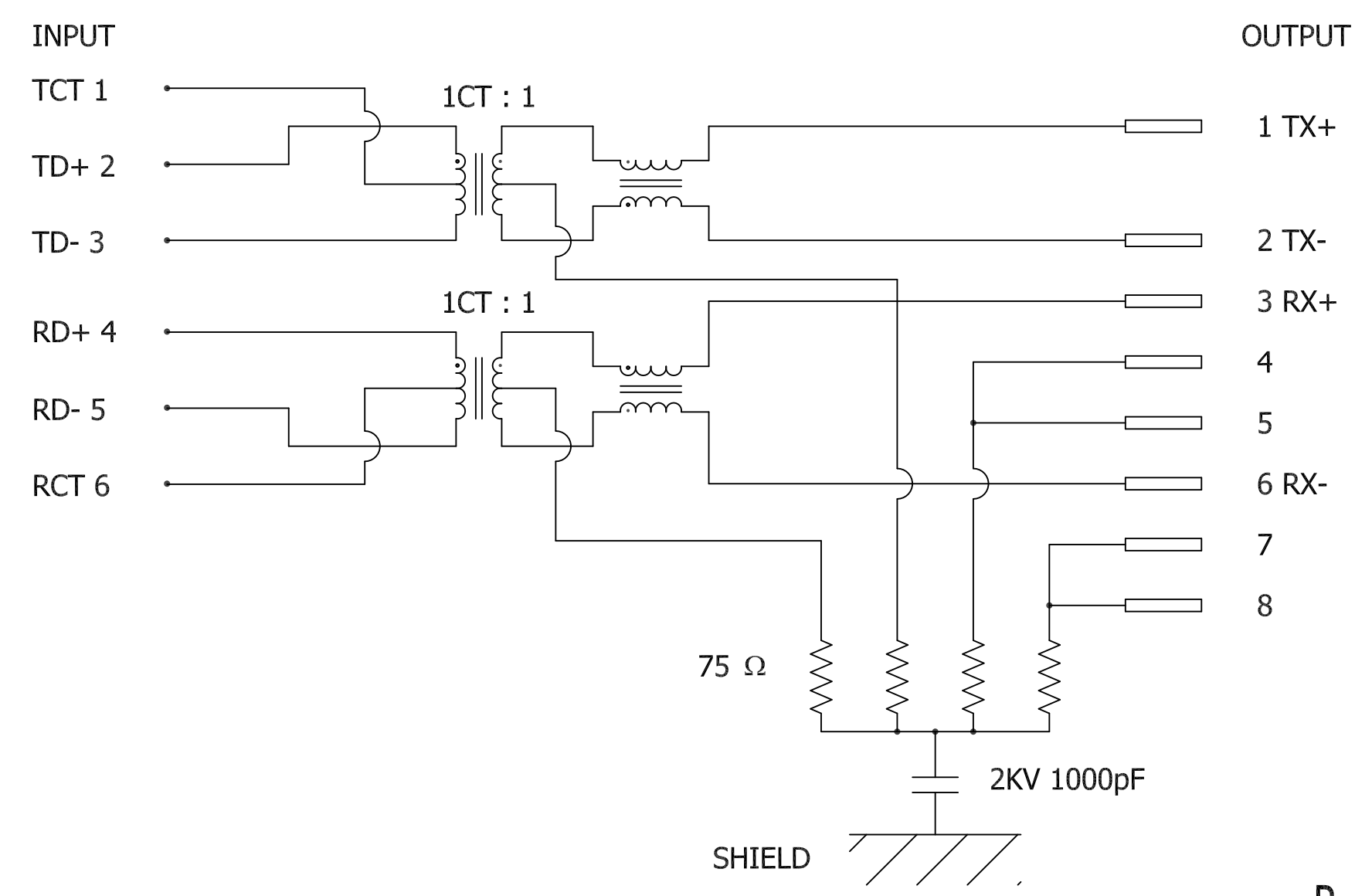


NOTES:

- Material:
 - Plastic Housing:
 - RJ Housing:PBT,UL94V-0 ,Black
 - Transformer Housing:Phenolic,UL94v-0 ,Black
 - Terminals:
 - RJ Contacts:0.25mm Thickness,Phosphor Bronze C5191H
 - RJ Solder pins:Ø0.46mm ,Phosphor Bronze C5191H
 - Shields:
 - Front Shield:0.20mm Thickness,SUS201
 - Back Shield:0.20mm Thickness,Brass C2680
 - USB Grounding legs:0.30mm Thickness,S50C
 - Screw Terminals:Steel Alloy
 - PCB:FR-4 Two layer PCB
- Plating
 - RJ Contact: .000050" min. Nickel underplate, .000030" Gold on contact surface
 - RJ Solder Pins: .000050" Nickel underplate, .000100" min. pure Tin Matte on termination.
 - Back Shield: .000030"~.000080" Nickel overall, Pre-soldering on grounding legs.
 - USB Grounding Legs: .000050" Nickel underplate, .000100" min. Tin over .
- RoHS Compliance per EU Directive 2002/95/EC
- Durability:1000 times
- Operating Temperature Range: 0°C TO +70°C
- Storage Temperature: -40°C to 85°C

SCHEMATIC:

1.RJ45

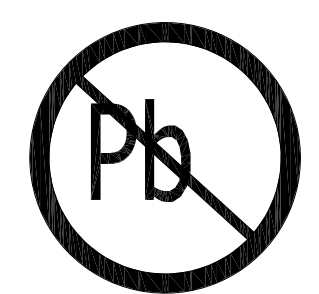


Electrical Properties

1.Transmitter & Receiver Filter:

Insertion Loss (dB Max)	Return Loss at 100W (dB Max)			
	1~100MHz	1~30MHz	30~60MHz	60~80MHz
-1.0	-18	-16	-12	

- Common Mode Rejection @ 1~100 MHz: -30dB MIN
- Cross Talk @ 1~100 MHz: -35dB MIN
- Inductance @ 100KHz/ 0.1V, 8mA DC BIAS: 350uH MIN
- HiPot Test: 1500Vrms, 60sec



RoHS COMPLIANT

UNLESS OTHERWISE SPECIFIED: DIMENSIONS ARE IN MM[INCHES]	DRAWN	DATE	NAME	
		08/01/2011	GC	
TOLERANCES: .X=± 0.25 [.01] .XX= ± 0.15 [.006] .XXX= ± 0.10 [.0040]	THE INFORMATION HEREIN CONTAINS PROPRIETARY INFORMATION OF SULLINS ELECTRONICS AND IS NOT TO BE REPRODUCED, USED OR DISCLOSED TO OTHERS FOR ANY PURPOSE EXCEPT AS SPECIFICALLY AUTHORIZED IN WRITING BY AN OFFICER OF SULLINS ELECTRONICS.			TITLE
	INTERPRET DIMENSIONS AND TOLERANCING PER: ASME Y14.5M-2009			SINGLE PORT RJ45, 10/100 BASE-T (WITHOUT USB)
	SIZE	CAGE CODE	DWG. NO.	REV
	C	54453	11825	A
	SCALE: 4:1	SHEET 2 OF 2		