



Chipsmall Limited consists of a professional team with an average of over 10 year of expertise in the distribution of electronic components. Based in Hongkong, we have already established firm and mutual-benefit business relationships with customers from,Europe,America and south Asia,supplying obsolete and hard-to-find components to meet their specific needs.

With the principle of “Quality Parts,Customers Priority,Honest Operation,and Considerate Service”,our business mainly focus on the distribution of electronic components. Line cards we deal with include Microchip,ALPS,ROHM,Xilinx,Pulse,ON,Everlight and Freescale. Main products comprise IC,Modules,Potentiometer,IC Socket,Relay,Connector.Our parts cover such applications as commercial,industrial, and automotives areas.

We are looking forward to setting up business relationship with you and hope to provide you with the best service and solution. Let us make a better world for our industry!



## Contact us

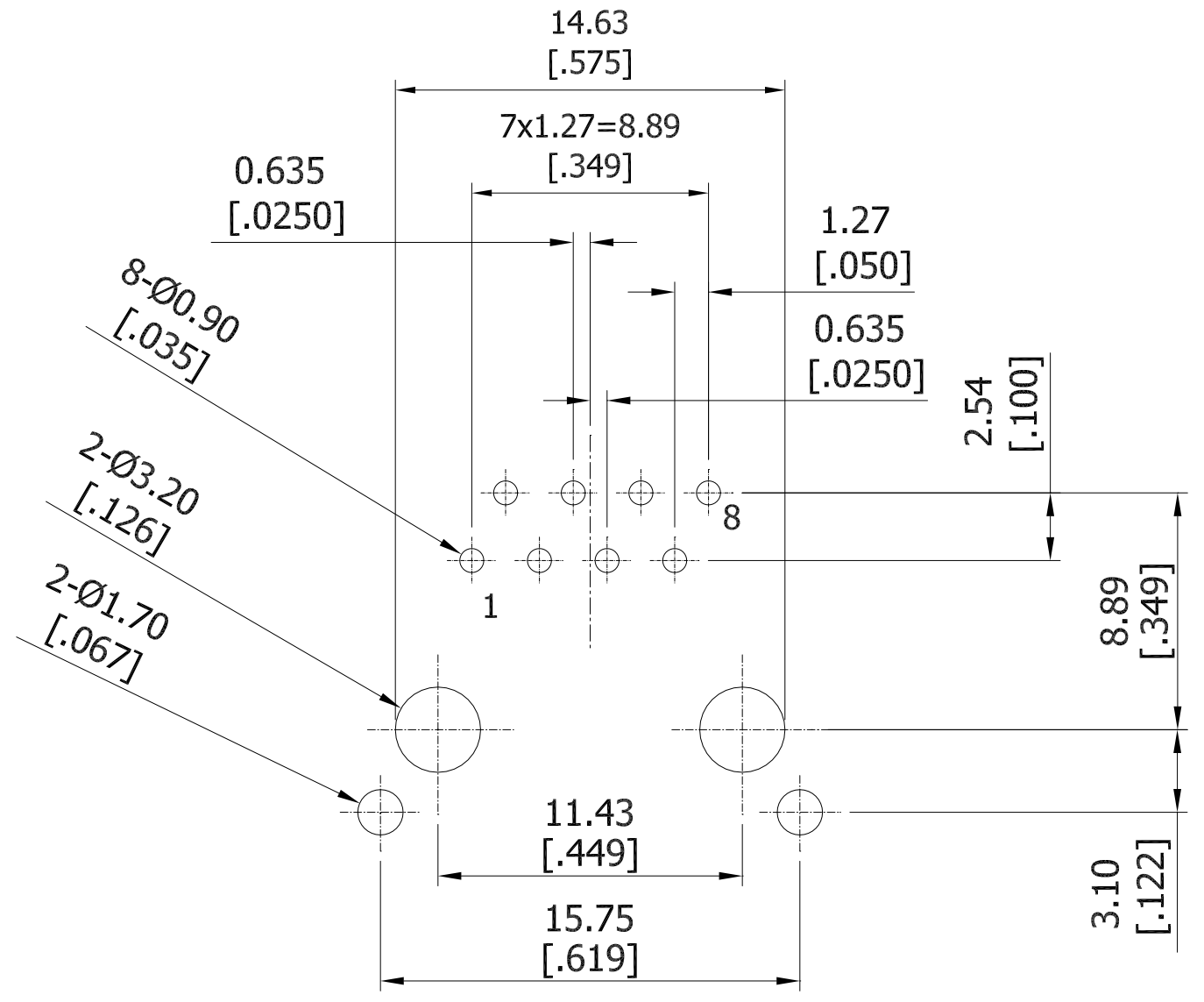
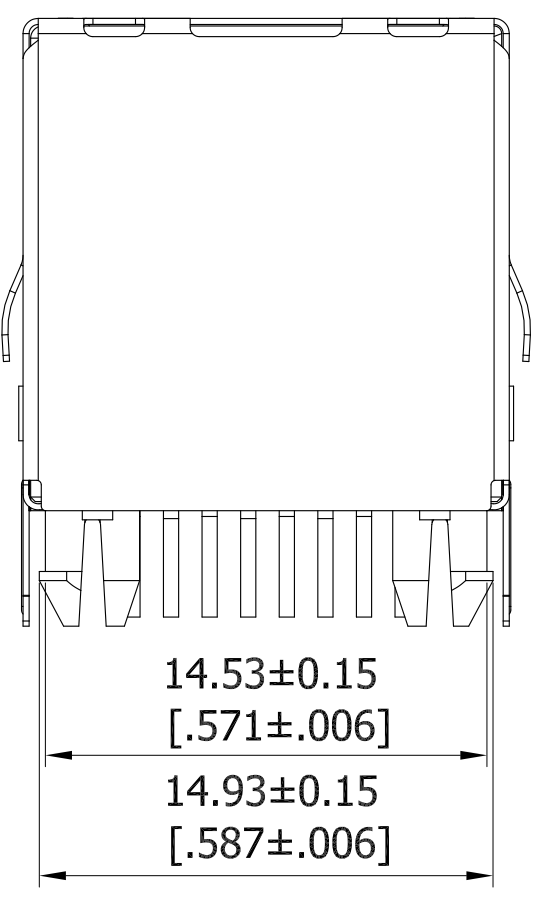
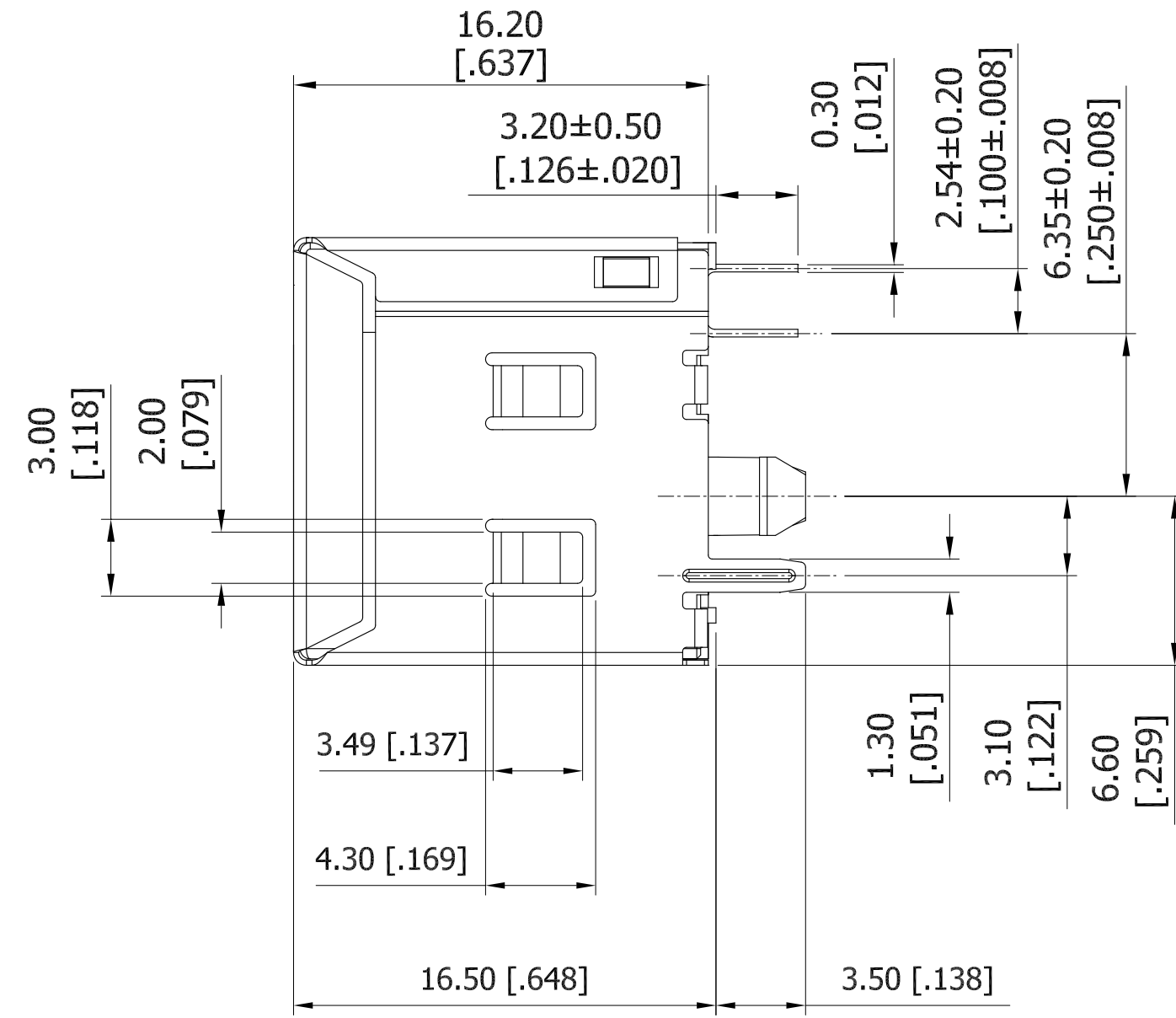
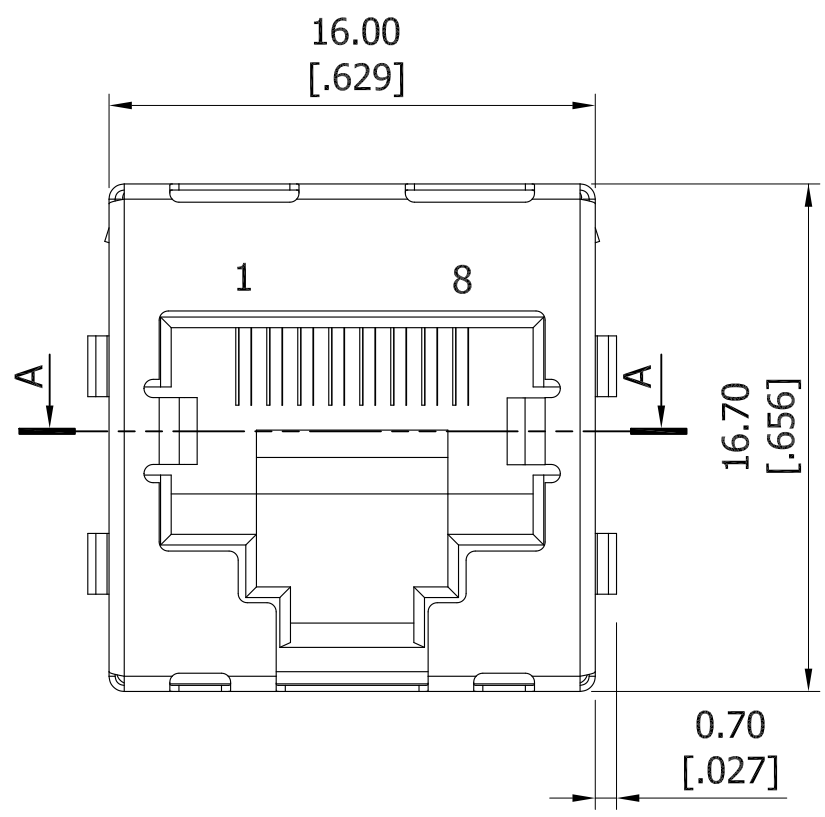
Tel: +86-755-8981 8866 Fax: +86-755-8427 6832

Email & Skype: info@chipsmall.com Web: www.chipsmall.com

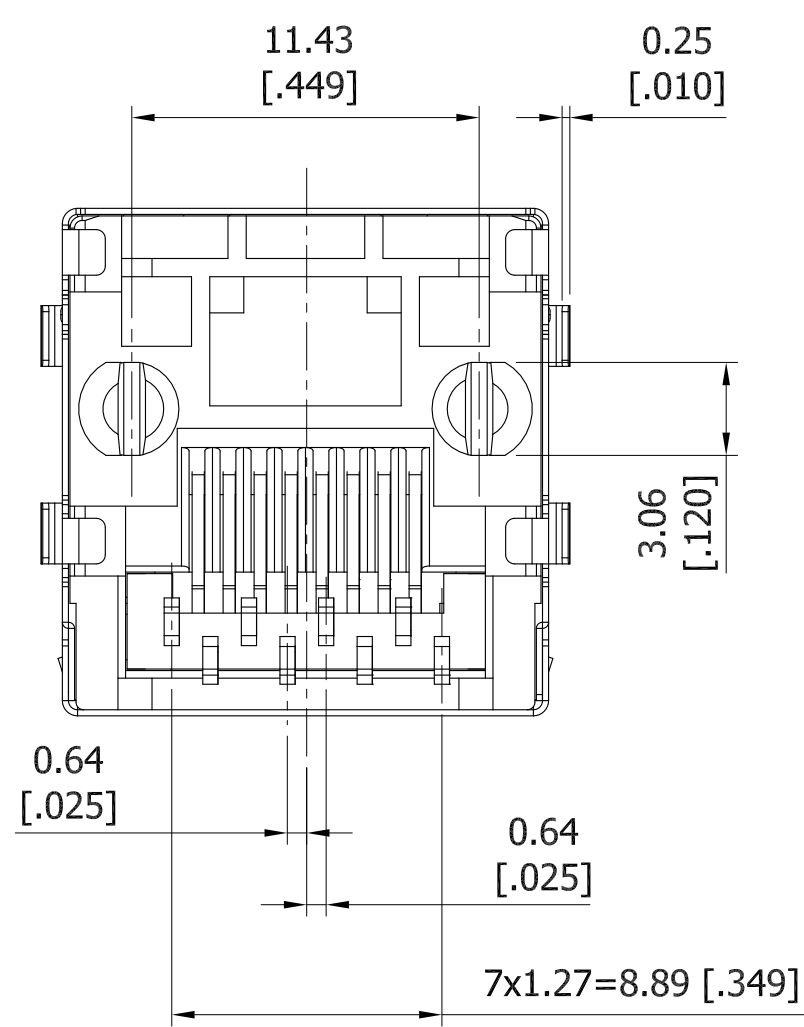
Address: A1208, Overseas Decoration Building, #122 Zhenhua RD., Futian, Shenzhen, China



REVISIONS				
REV.	ECO. NO	DESCRIPTION	DATE	BY
A	2406	INITIAL RELEASE	08/02/2011	GC

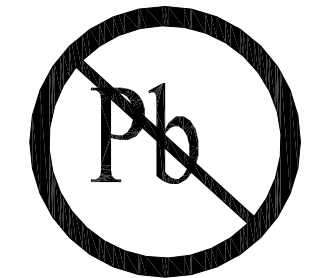


RECOMMENDED P.C.B LAYOUT  
TOLERANCE: ±0.05 [0.002]



NOTES:

- MATERIAL:  
SHELL: 0.20mm THICKNESS BRASS.  
HOUSING: THERMOPLASTIC, UL94V-0, COLOR: BLACK.  
INSERT: THERMOPLASTIC, UL94V-0, COLOR: BLACK.  
TERMINAL: 0.30mm THICKNESS, PHOSPHOR BRONZE.
- PLATING:  
TERMINAL:  
CONTACT AREA: .000050" GOLD ON CONTACT SURFACE.  
SOLDER TAIL: .000100" MIN. TIN ON TERMINATION.  
UNDER PLATE: .000050" MIN. NICKEL UNDERPLATE.  
SHELL:  
UNDER PLATE: .000030" MIN. NICKEL UNDERPLATE.  
(SOLDERING AVAILABLE)  
SURFACE APPEARANCE: BRIGHT NICKEL.



RoHS COMPLIANT

UNLESS OTHERWISE SPECIFIED: DIMENSIONS ARE IN MM[INCHES]	DRAWN	DATE	NAME	
		08/02/2011	GC	
TOLERANCES: .X=± 0.25 [0.01] .XX=± 0.15 [0.006] .XXX=± 0.10 [0.0040]	THE INFORMATION HEREIN CONTAINS PROPRIETARY INFORMATION OF SULLINS ELECTRONICS AND IS NOT TO BE REPRODUCED, USED OR DISCLOSED TO OTHERS FOR ANY PURPOSE EXCEPT AS SPECIFICALLY AUTHORIZED IN WRITING BY AN OFFICER OF SULLINS ELECTRONICS.			TITLE
	INTERPRET DIMENSIONS AND TOLERANCING PER: ASME Y14.5M-2009			VERTICAL RJ45 WITHOUT TRANSFORMER DIP TYPE
PART NUMBER				SMJ300-T88N-DS-01
SIZE	CAGE CODE	DWG. NO.	REV	
C	54453	11821	A	
SCALE: 4:1		SHEET 1 OF 1		