



Chipsmall Limited consists of a professional team with an average of over 10 year of expertise in the distribution of electronic components. Based in Hongkong, we have already established firm and mutual-benefit business relationships with customers from,Europe,America and south Asia,supplying obsolete and hard-to-find components to meet their specific needs.

With the principle of "Quality Parts,Customers Priority,Honest Operation,and Considerate Service",our business mainly focus on the distribution of electronic components. Line cards we deal with include Microchip,ALPS,ROHM,Xilinx,Pulse,ON,Everlight and Freescale. Main products comprise IC,Modules,Potentiometer,IC Socket,Relay,Connector.Our parts cover such applications as commercial,industrial, and automotives areas.

We are looking forward to setting up business relationship with you and hope to provide you with the best service and solution. Let us make a better world for our industry!



Contact us

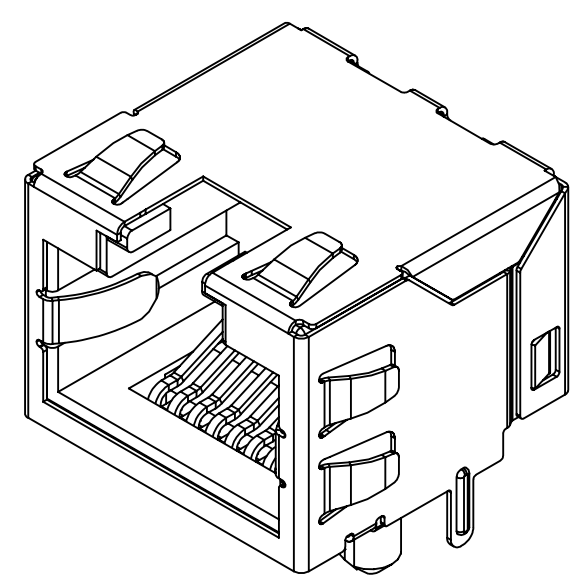
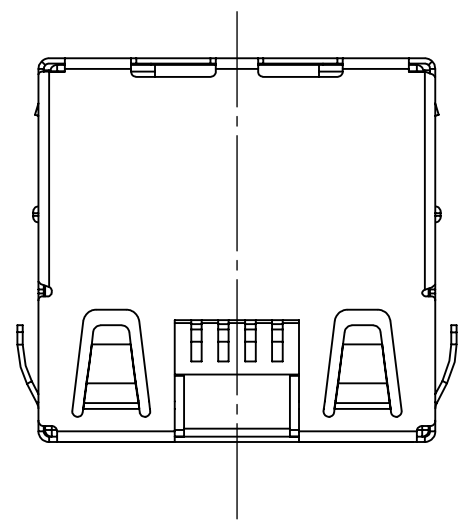
Tel: +86-755-8981 8866 Fax: +86-755-8427 6832

Email & Skype: info@chipsmall.com Web: www.chipsmall.com

Address: A1208, Overseas Decoration Building, #122 Zhenhua RD., Futian, Shenzhen, China

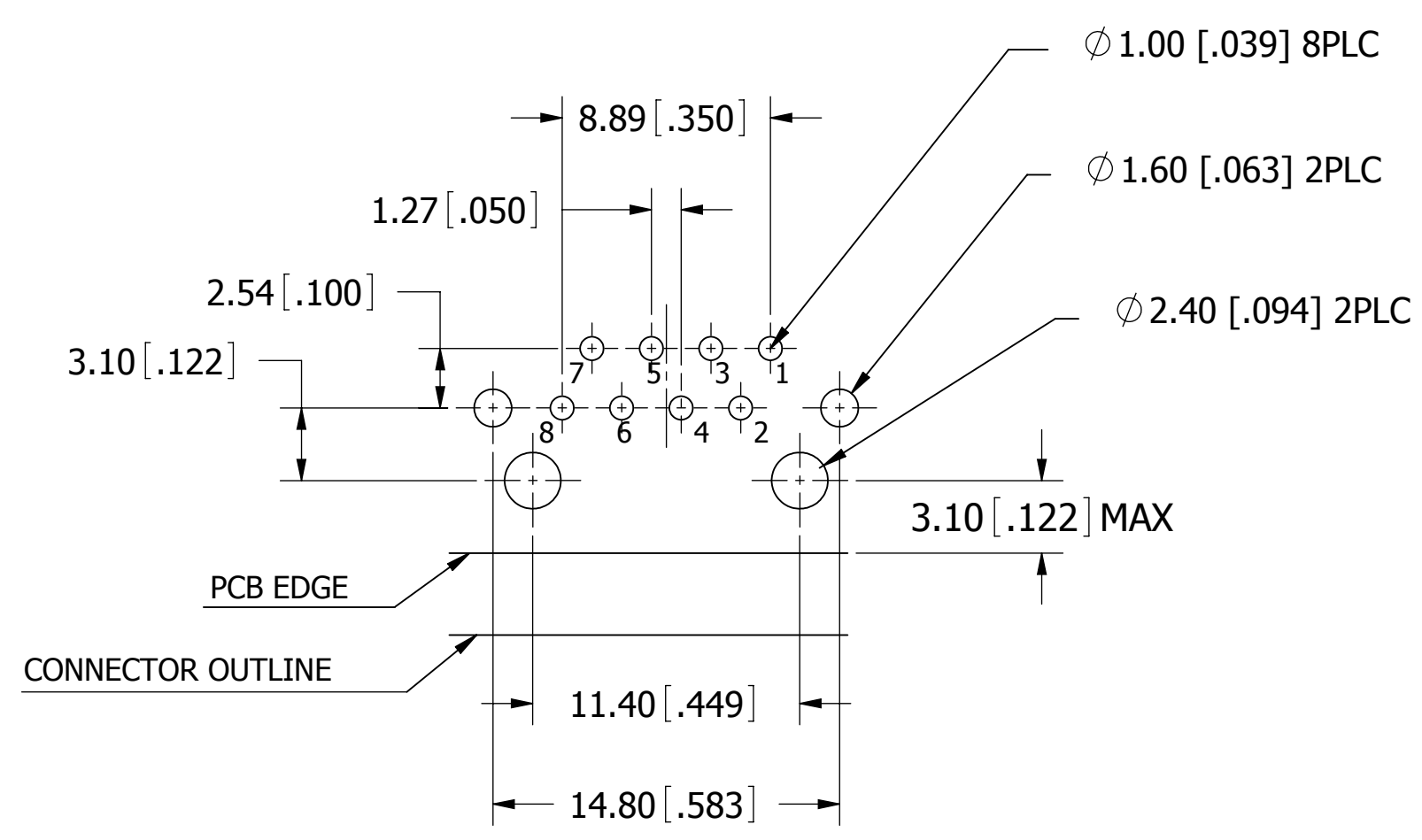
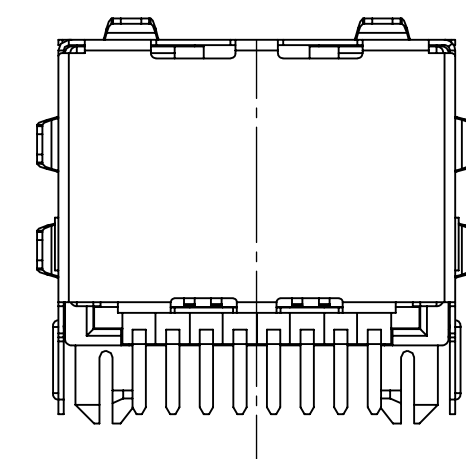
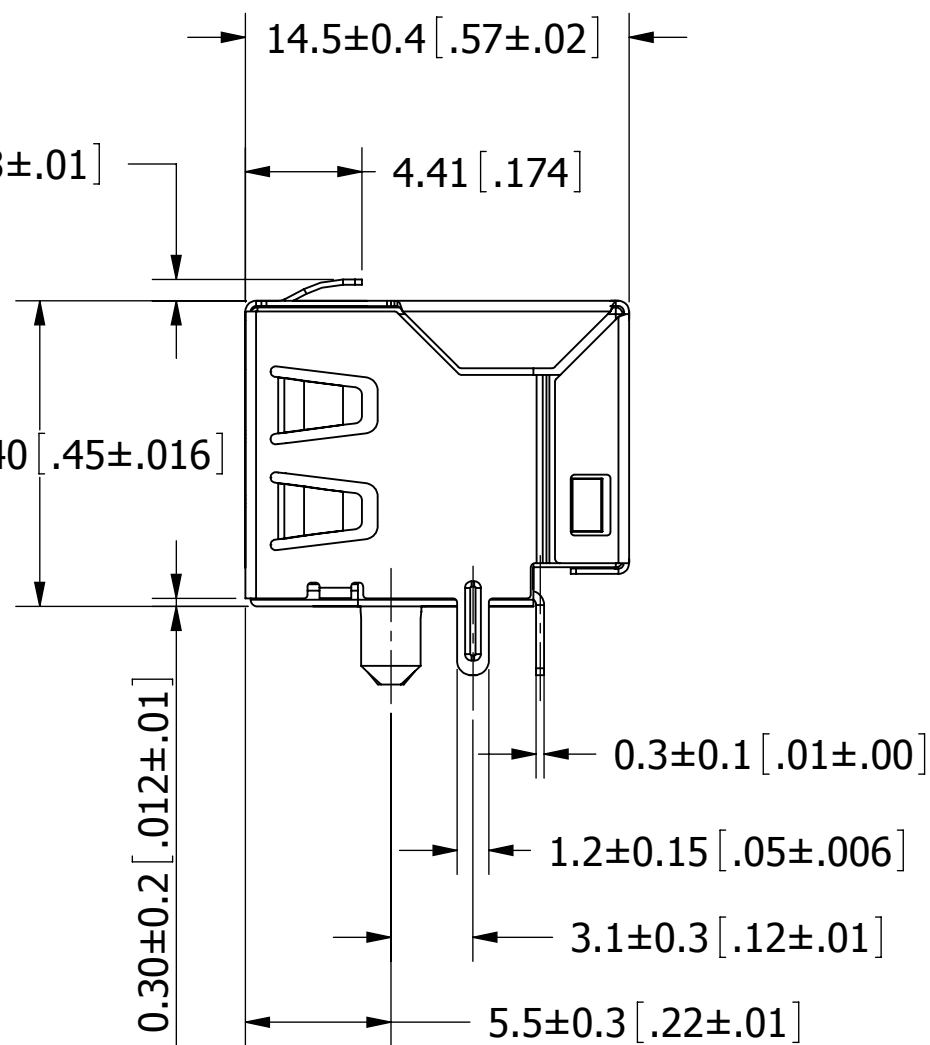
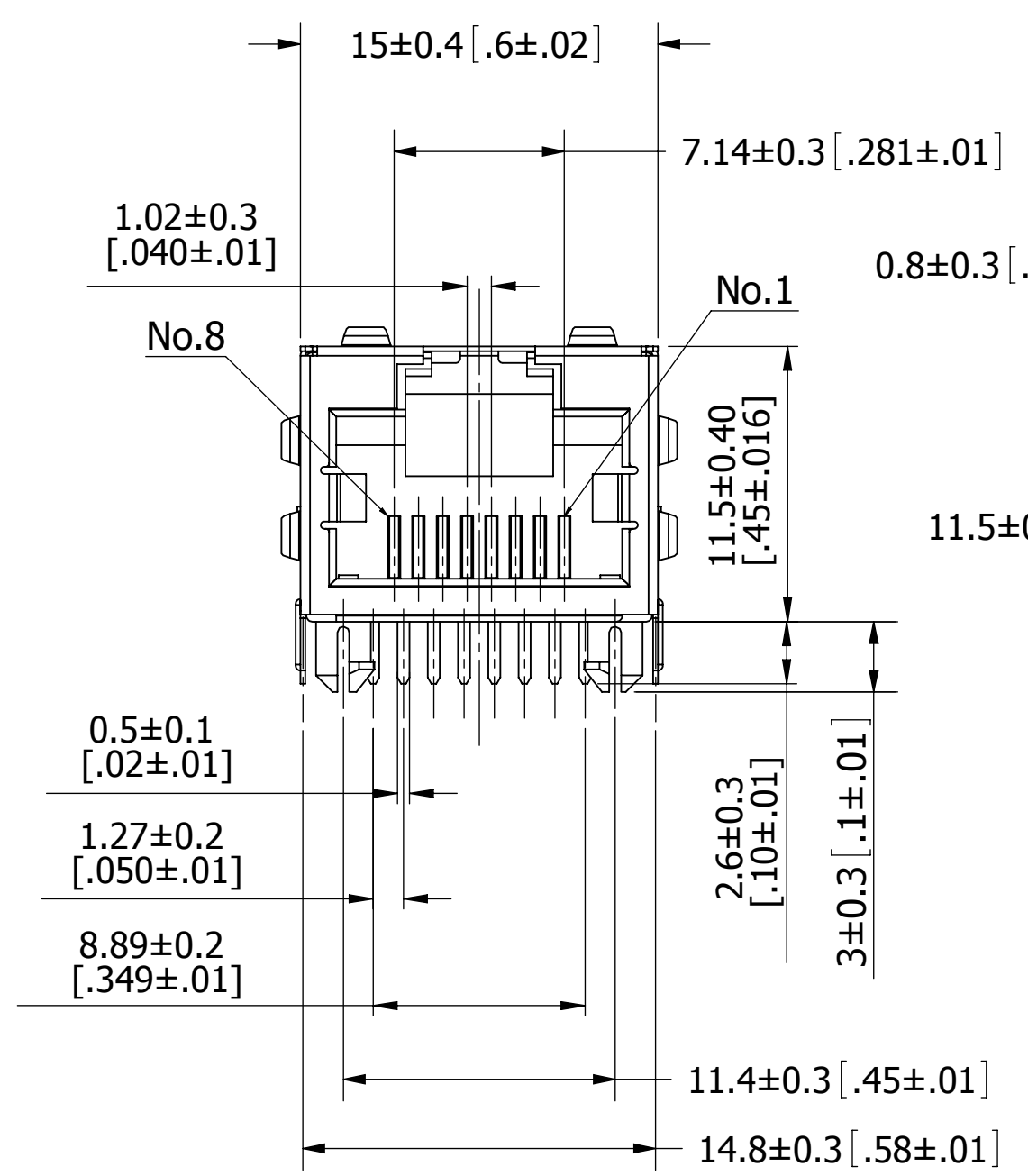


REVISIONS				
REV.	ECO. NO	DESCRIPTION	DATE	BY
A	2406	INITIAL RELEASE	08/02/2011	LH

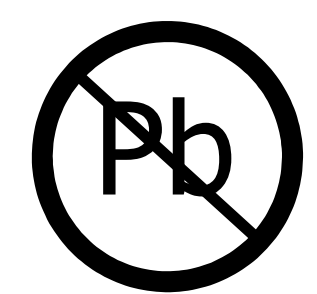
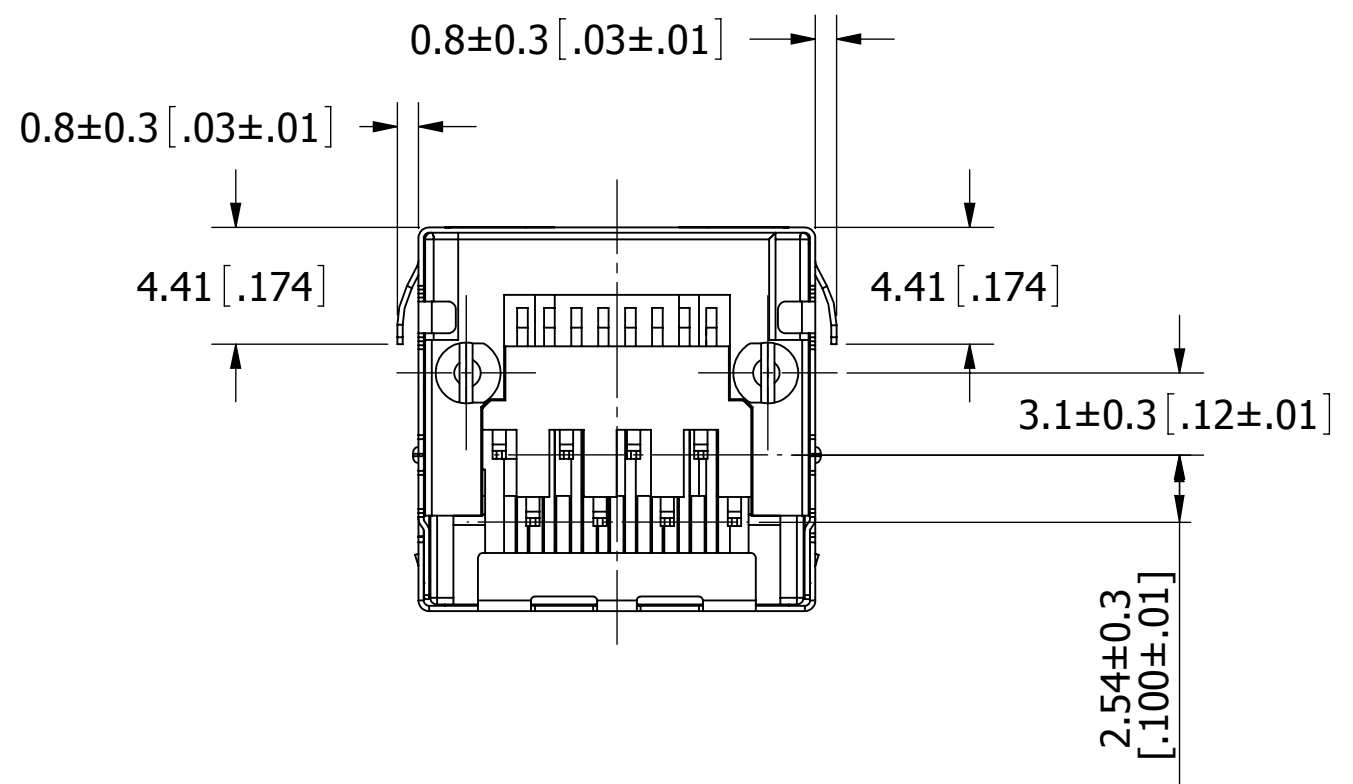


NOTES:

- MATERIAL:**
 SHELL: 0.20mm THICKNESS, BRASS.
 HOUSING: THERMOPLASTIC, UL 94 V-0, COLOR: BLACK.
 INSERT: THERMOPLASTIC, UL 94 V-0, COLOR: BLACK.
 TERMINAL: 0.30mm THICKNESS, PHOSPHOR BRONZE.
- PLATING:**
 TERMINAL:
 CONTACT AREA: .000050" GOLD ON CONTACT SURFACE.
 SOLDER TAIL: .000100" MIN TIN ON TERMINATION.
 UNDER PLATE: .000050" MIN NICKEL UNDERPLATE.
 SHELL:
 UNDER PLATE: .000030" MIN NICKEL UNDERPLATE.
 (SOLDERING AVAILABLE)
 SURFACE APPEARANCE: BRIGHT NICKEL.



RECOMMENDED P.C.B LAYOUT
 TOLERANCE: ±0.05 [.002]



RoHS COMPLIANT

UNLESS OTHERWISE SPECIFIED: DIMENSIONS ARE IN MM[INCHES]	DRAWN	DATE	NAME	
		08/02/2011	LH	
TOLERANCES: ANGULAR: .X±.25 [.01] .XX±.15 [.006] .XXX±.100 [.0040]	THE INFORMATION HEREIN CONTAINS PROPRIETARY INFORMATION OF SULLINS ELECTRONICS AND IS NOT TO BE REPRODUCED, USED OR DISCLOSED TO OTHERS FOR ANY PURPOSE EXCEPT AS SPECIFICALLY AUTHORIZED IN WRITING BY AN OFFICER OF SULLINS ELECTRONICS.			TITLE
	INTERPRET DIMENSIONS AND TOLERANCING PER: ASME Y14.5M-2009			RJ45 WITHOUT TRANSFORMER/LED, RA, DIP TYPE
PART NUMBER				SMJ400-S88N-DS-01
SIZE	CAGE CODE	DWG. NO.	REV	
C	54453	11822	A	
SCALE: 3.5:1			SHEET 1 OF 1	