



Chipsmall Limited consists of a professional team with an average of over 10 year of expertise in the distribution of electronic components. Based in Hongkong, we have already established firm and mutual-benefit business relationships with customers from,Europe,America and south Asia,supplying obsolete and hard-to-find components to meet their specific needs.

With the principle of "Quality Parts,Customers Priority,Honest Operation,and Considerate Service",our business mainly focus on the distribution of electronic components. Line cards we deal with include Microchip,ALPS,ROHM,Xilinx,Pulse,ON,Everlight and Freescale. Main products comprise IC,Modules,Potentiometer,IC Socket,Relay,Connector.Our parts cover such applications as commercial,industrial, and automotives areas.

We are looking forward to setting up business relationship with you and hope to provide you with the best service and solution. Let us make a better world for our industry!



Contact us

Tel: +86-755-8981 8866 Fax: +86-755-8427 6832

Email & Skype: info@chipsmall.com Web: www.chipsmall.com

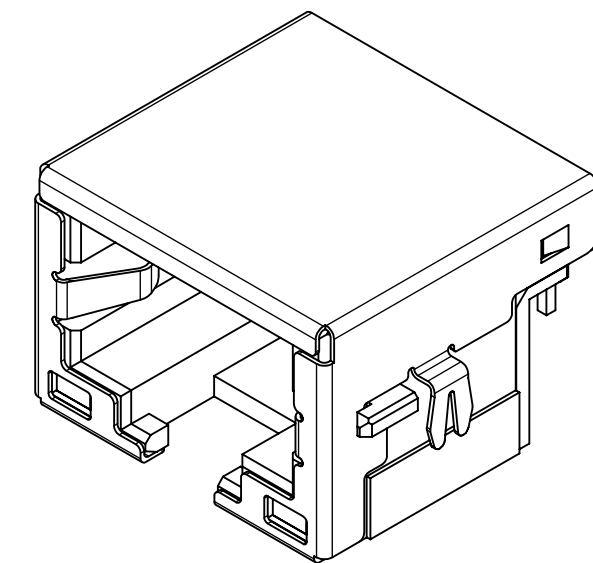
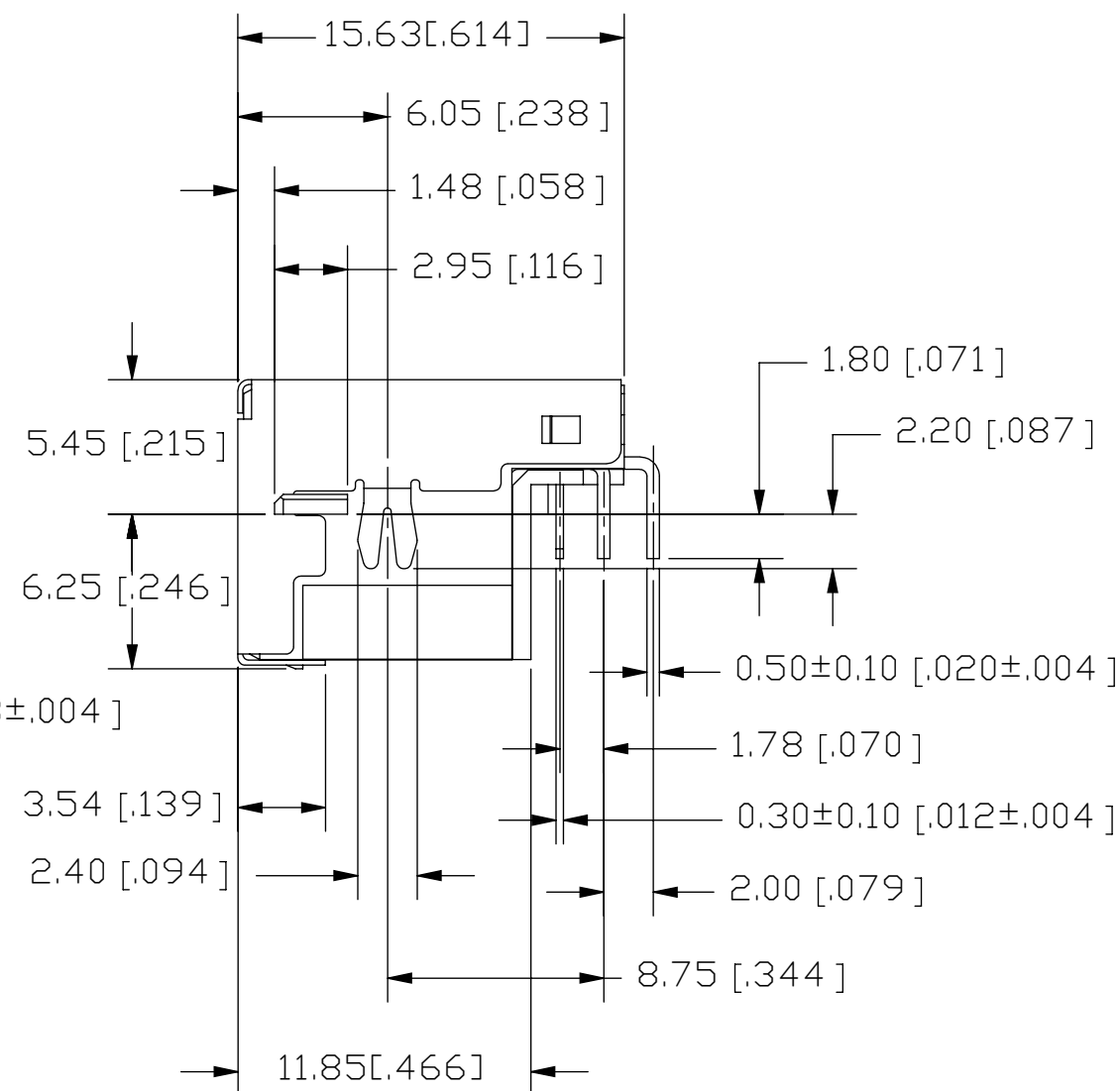
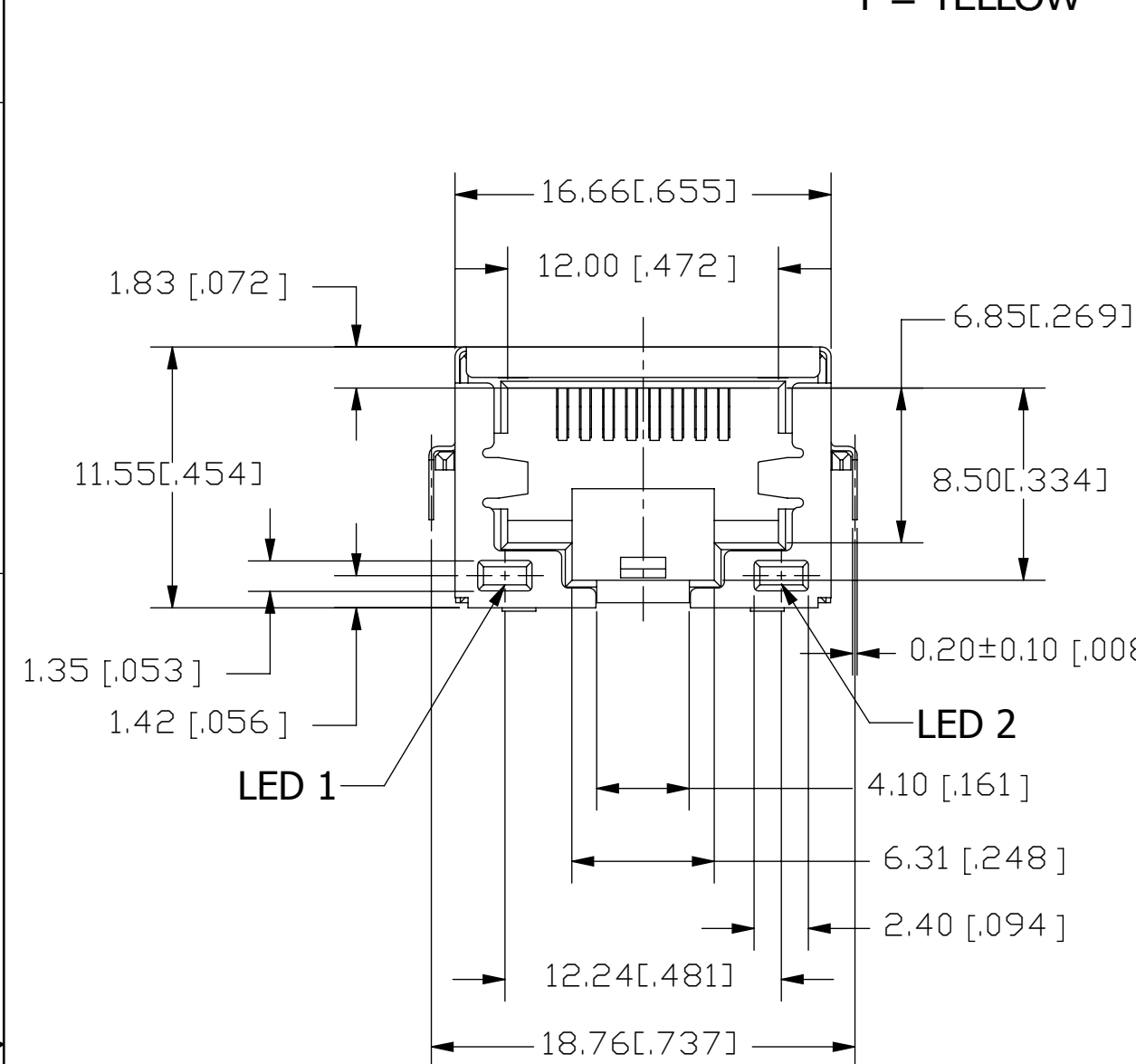
Address: A1208, Overseas Decoration Building, #122 Zhenhua RD., Futian, Shenzhen, China



PART NUMBER CODING SMJ401-S88W-DS-01Y

LED COLOR

O = ORANGE
G = GREEN
Y = YELLOW



NOTES:

1. MATERIAL:

- 1.1 HOUSING/COVER: PA6T WITH 30% GF, UL94 V-0, COLOR: BLACK.
- 1.2 CONTACT: PHOSPHOR BRONZE.
- 1.3 SHELL: BRASS
- 1.4 LED: EPOXY

2. FINISH:

- 2.1 CONTACT: .000050" MIN NICKEL UNDERPLATED, GOLD FLASH ON CONTACT SURFACE, .000100" PURE TIN, MATTE ON TERMINATION.
- 2.2 SHELL: .000050" MIN NICKEL UNDERPLATED.
- 2.3 LED: .000050" MIN NICKEL UNDERPLATED, .000100" PURE TIN, MATTE ON TERMINATION.

3. LED CHARACTERISTICS:

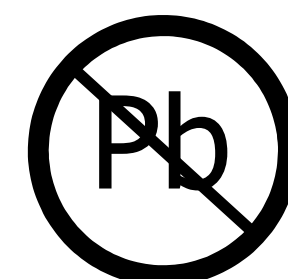
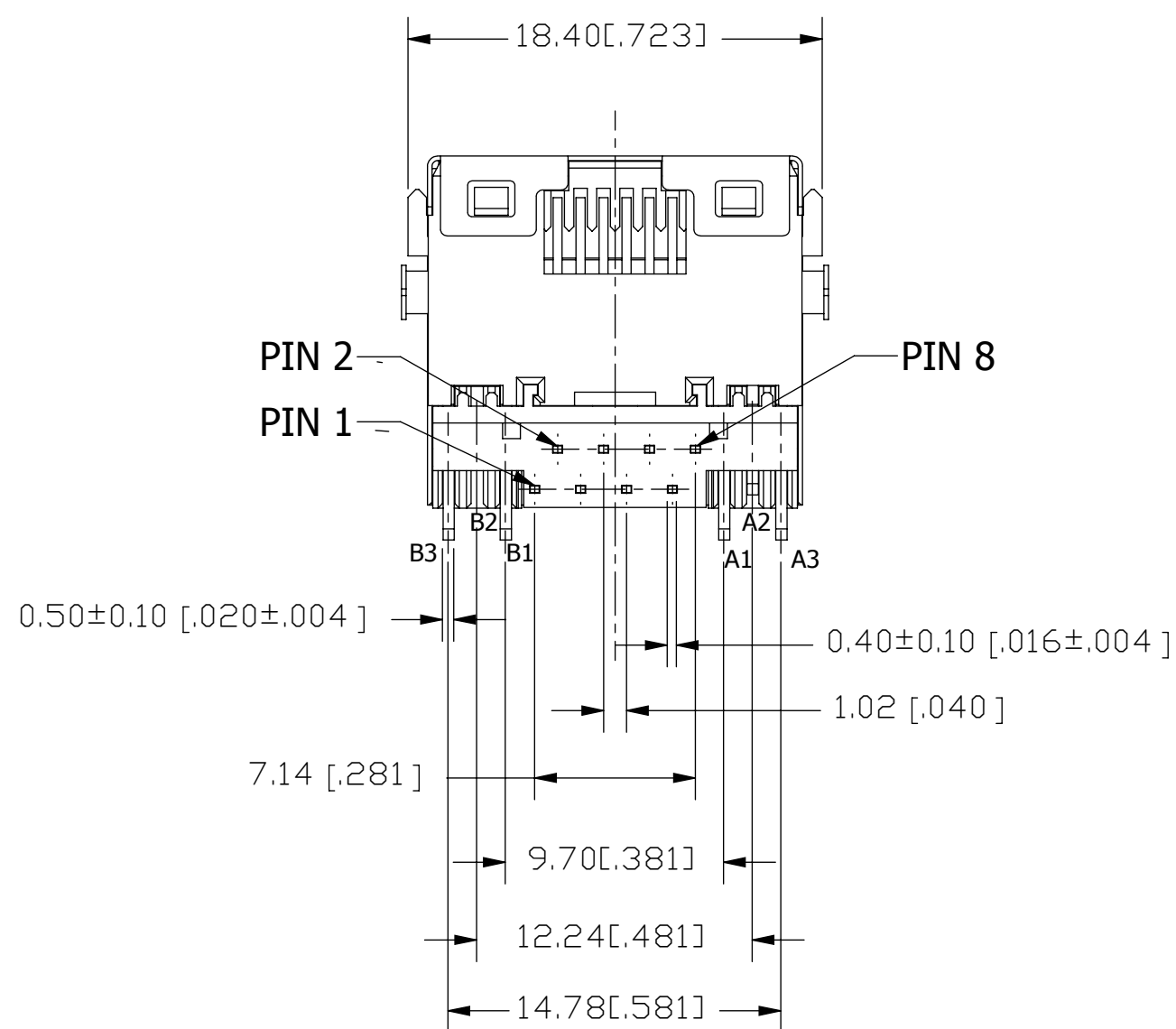
- 3.1 POWER DISSIPATION: 60mW MAX.
- 3.2 FORWARD CURRENT: 30mW MAX.
- 3.3 FORWARD VOLTAGE: 2.2 VOLTS TYPICAL.
- 3.4 REVERSE VOLTAGE: 5.0 VOLTS TYPICAL.
- 3.5 PERK EMISSION WAVELENGTH: GREEN LED: 560~580nm TYPICAL.
YELLOW LED: 580~600nm TYPICAL.
ORANGE LED: 595~615nm TYPICAL.

4. LOW HALOGEN SPEC:

- CHLORINE(Cl): 900ppm MAX.
- BROMINE(Br): 900ppm MAX.

LED ELECTRICAL CHARACTERISTIC		
NODE(LED 2)	COLOR	
A1(-)	A2(+)	ORANGE
A3(-)	A2(+)	GREEN
A1(-) & A3(-)	A2(+)	YELLOW

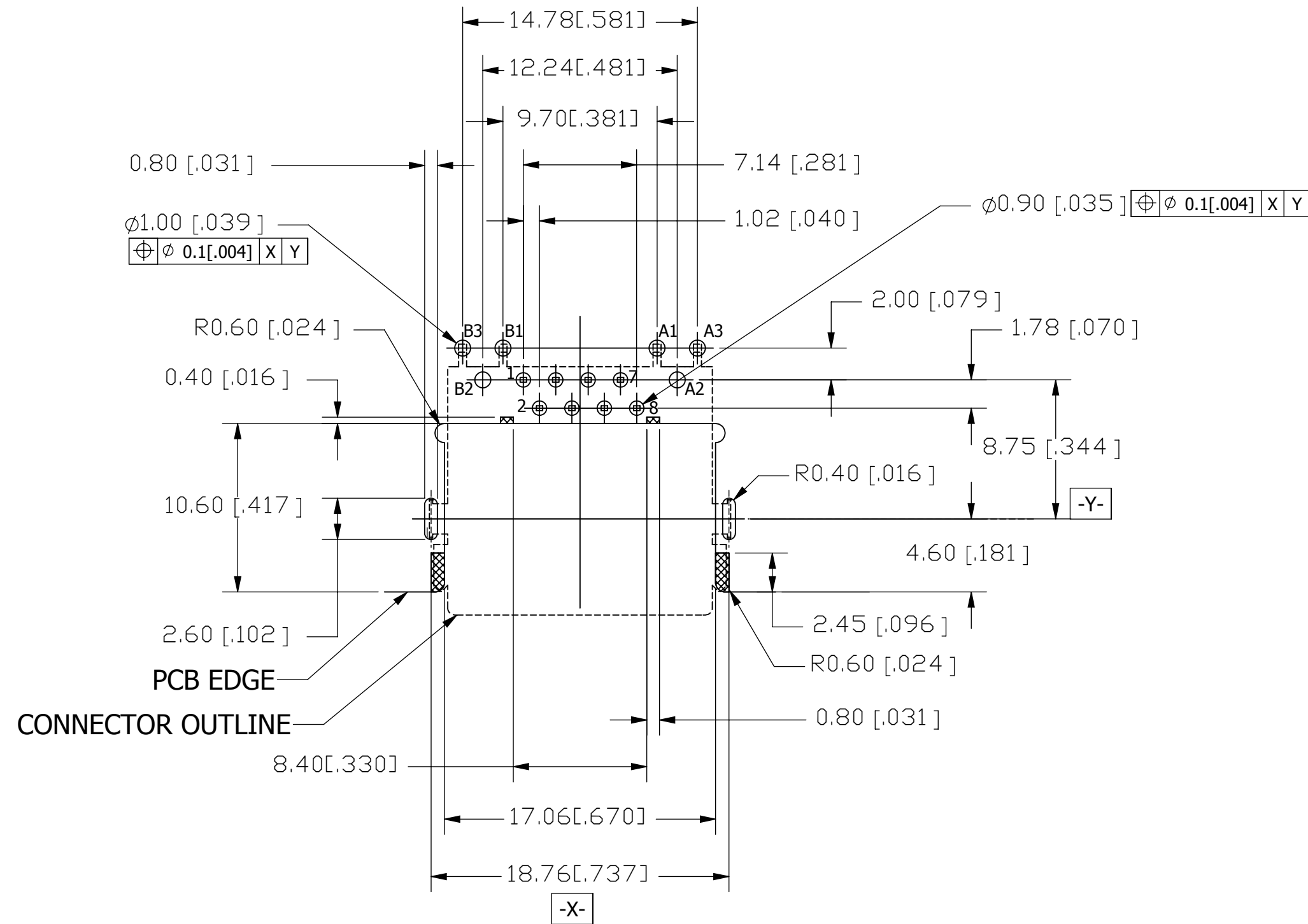
LED ELECTRICAL CHARACTERISTIC		
NODE(LED 1)	COLOR	
B1(+)	B3(-)	YELLOW
B2 : UNUSED		



RoHS COMPLIANT

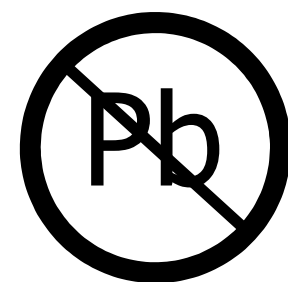
UNLESS OTHERWISE SPECIFIED: DIMENSIONS ARE IN MM[INCHES]	DRAWN	DATE	NAME	
		08/02/2011	LH	
TOLERANCES: ANGULAR: .X=± .25 [.01] .XX=± .15 [.006] .XXX=± .100 [.0040]	THE INFORMATION HEREIN CONTAINS PROPRIETARY INFORMATION OF SULLINS ELECTRONICS AND IS NOT TO BE REPRODUCED, USED OR DISCLOSED TO OTHERS FOR ANY PURPOSE EXCEPT AS SPECIFICALLY AUTHORIZED IN WRITING BY AN OFFICER OF SULLINS ELECTRONICS.			TITLE
	INTERPRET DIMENSIONS AND TOLERANCING PER: ASME Y14.5M-2009			RJ45 WITHOUT TRANSFORMER/LED, RA, 8P8C
PART NUMBER				SMJ401-S88W-DS-01Y_
SIZE	CAGE CODE	DWG. NO.	REV	
C	54453	11823	A	
SCALE: 2:1			SHEET 1 OF 2	

REVISIONS				
REV.	ECO. NO	DESCRIPTION	DATE	BY
A	2406	INITIAL RELEASE	08/02/2011	LH




RECOMMENDED PCB LAYOUT
TOLERANCE: ± 0.05 [.002]

 KEEP OUT AREA



RoHS COMPLIANT

UNLESS OTHERWISE SPECIFIED: DIMENSIONS ARE IN MM[INCHES]	DRAWN	DATE	NAME		
		08/02/2011	LH		
TOLERANCES: ANGULAR: .X=±.25 [.01] .XX=±.15 [.006] .XXX=±.100 [.0040]	<small>THE INFORMATION HEREIN CONTAINS PROPRIETARY INFORMATION OF SULLINS ELECTRONICS AND IS NOT TO BE REPRODUCED, USED OR DISCLOSED TO OTHERS FOR ANY PURPOSE EXCEPT AS SPECIFICALLY AUTHORIZED IN WRITING BY AN OFFICER OF SULLINS ELECTRONICS.</small>			TITLE	
	<small>INTERPRET DIMENSIONS AND TOLERANCING PER: ASME Y14.5M-2009</small>			RJ45 WITHOUT TRANSFORMER/LED, RA, 8P8C	
PART NUMBER		SIZE	CAGE CODE	DWG. NO.	REV
SMJ401-S88W-DS-01Y_		C	54453	11823	A
SCALE: 3.3:1				SHEET 2 OF 2	