



Chipsmall Limited consists of a professional team with an average of over 10 year of expertise in the distribution of electronic components. Based in Hongkong, we have already established firm and mutual-benefit business relationships with customers from,Europe,America and south Asia,supplying obsolete and hard-to-find components to meet their specific needs.

With the principle of "Quality Parts,Customers Priority,Honest Operation,and Considerate Service",our business mainly focus on the distribution of electronic components. Line cards we deal with include Microchip,ALPS,ROHM,Xilinx,Pulse,ON,Everlight and Freescale. Main products comprise IC,Modules,Potentiometer,IC Socket,Relay,Connector.Our parts cover such applications as commercial,industrial, and automotives areas.

We are looking forward to setting up business relationship with you and hope to provide you with the best service and solution. Let us make a better world for our industry!



## Contact us

Tel: +86-755-8981 8866 Fax: +86-755-8427 6832

Email & Skype: info@chipsmall.com Web: www.chipsmall.com

Address: A1208, Overseas Decoration Building, #122 Zhenhua RD., Futian, Shenzhen, China



PART NUMBER	SML-LXL8047MWC-TR3	REV.	
DATE	E.C.N. NUMBER AND REVISION COMMENTS	REV.	
06.15.10	E.C.N. #: 11647 & REDRAWN	A	

ELECTRO-OPTICAL CHARACTERISTICS  $T_A=25^{\circ}\text{C}$   $I_f=700\text{mA}$

PARAMETER	MIN	TYP	MAX	UNITS	TEST COND
PEAK WAVELENGTH				nm	
FORWARD VOLTAGE		4.6	5.2	$V_f$	$I_f = 700\text{mA}$
REVERSE VOLTAGE	5.0			$V_r$	$I_f = 100\mu\text{A}$
AXIAL INTENSITY	100	140	180	lm	$I_f = 700\text{mA}$
COLOR TEMP	2580	3000	3710	K	
VIEWING ANGLE		100		$2x$ theta	
EMITTED COLOR:	WHITE				
EPOXY LENS FINISH:	WATER CLEAR				

LIMITS OF SAFE OPERATION AT  $25^{\circ}\text{C}$

PARAMETER	MAX	UNITS
PEAK FORWARD CURRENT*	1000	mA
STEADY CURRENT	700	mA
LED JUNCTION TEMPERATURE	130	$^{\circ}\text{C}$
DERATE FROM $25^{\circ}\text{C}$	-1.2	mW/ $^{\circ}\text{C}$
OPERATING, STORAGE TEMP.	-40 TO +100	$^{\circ}\text{C}$

\*  $t < 10\mu\text{s}$

[A] NOTE:

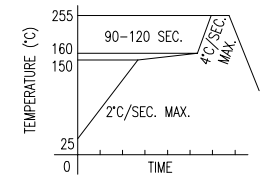
- WE RECOMMEND THAT THE DEVICES MUST BE BAKED BEFORE SOLDERING IF THEY ARE REMOVED FROM THE ORIGINAL PACKAGE, AND ARE EXPOSED TO ENVIRONMENTAL CONDITIONS FOR LONGER THAN THE DURATIONS; (UNIT: DAYS) DEFINED IN THE TABLE BELOW.
- RECOMMENDED BAKING CONDITIONS ARE 24 HOURS AT  $80^{\circ}\text{C}$

[A]

TEMPERATURE	MAXIMUM PERCENT RELATIVE HUMIDITY						
	30%	40%	50%	60%	70%	80%	90%
$30^{\circ}\text{C}$	9	5	4	3	1	1	1
$25^{\circ}\text{C}$	12	7	5	4	2	1	1
$20^{\circ}\text{C}$	17	9	7	6	2	2	1

LEAD FREE REFLOW PROFILE

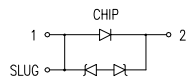
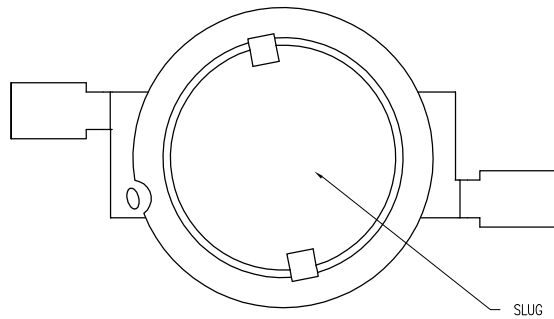
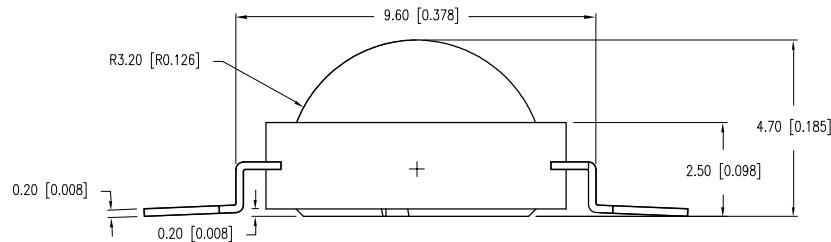
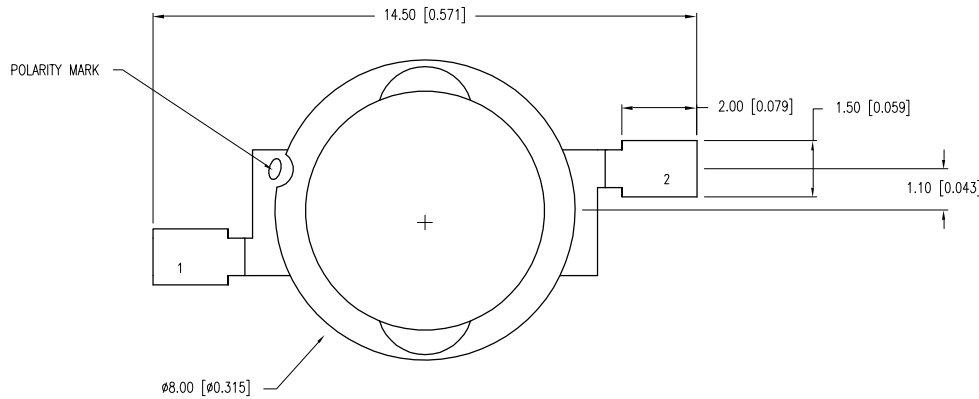
10 SEC. MAX.



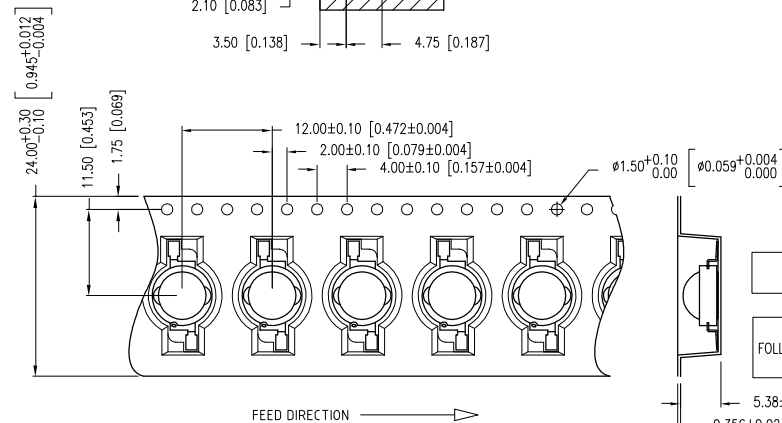
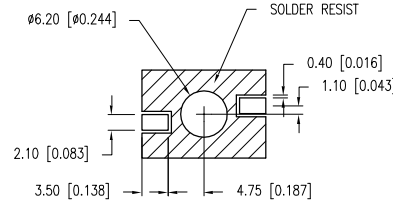
TOTAL TIME ABOVE  $220^{\circ}\text{C}$  IS 60 SECONDS MAX.

CAUTION: MOISTURE SENSITIVE DEVICE  
PER JEDEC LEVEL 3 STANDARDS

CAUTION: STATIC SENSITIVE DEVICE  
FOLLOW PROPER E.S.D. HANDLING PROCEDURES  
WHEN WORKING WITH THIS PART.



PAD LAYOUT



FEED DIRECTION

\*UNLESS OTHERWISE SPECIFIED TOLERANCES PER DECIMAL PRECISION ARE:  $x=±1$  ( $±0.039$ ),  $x.x=±0.5$  ( $±0.020$ ),  $x.xx=±0.25$  ( $±0.010$ ),  $x.xxx=±0.127$  ( $±0.005$ ). LEAD SIZE= $±0.05$  ( $±0.002$ ), LEAD LENGTH= $±0.75$  ( $±0.030$ ). MIN= $\frac{+DECIMAL PRECISION}{-0.00}$  MAX= $\frac{+0.00}{-DECIMAL PRECISION}$



290 E. HELEN ROAD  
PALATINE, IL 60067-6976  
PHONE: +1.847.359.2790  
FAX: +1.847.359.6538  
WEB: WWW.LUMEX.COM

8mm ROUND TOP DOME SMT HI POWER LED WARM WHITE 3W.

\*\*THE SPECIFICATIONS MAY CHANGE AT ANY TIME WITHOUT NOTICE DUE TO NEW MATERIALS OR PRODUCT IMPROVEMENT.\*\*

CONFIDENTIAL INFORMATION  
THE INFORMATION CONTAINED IN THIS DOCUMENT IS THE PROPERTY OF LUMEX INC. EXCEPT AS SPECIFICALLY AUTHORIZED IN WRITING BY LUMEX INC., THE HOLDER OF THIS DOCUMENT SHALL KEEP ALL INFORMATION CONTAINED HEREIN CONFIDENTIAL AND SHALL PROTECT SAME IN WHOLE OR IN PART FROM DISCLOSURE AND DISSEMINATION TO ALL THIRD PARTIES.

DATE:	03.12.10	DRAWN BY:	JN
PAGE:	1 OF 1	CHKD BY:	SS
SCALE:	N/A	APRVD BY:	KF
UNIT:	mm [INCH]		