



Chipsmall Limited consists of a professional team with an average of over 10 year of expertise in the distribution of electronic components. Based in Hongkong, we have already established firm and mutual-benefit business relationships with customers from,Europe,America and south Asia,supplying obsolete and hard-to-find components to meet their specific needs.

With the principle of "Quality Parts,Customers Priority,Honest Operation,and Considerate Service",our business mainly focus on the distribution of electronic components. Line cards we deal with include Microchip,ALPS,ROHM,Xilinx,Pulse,ON,Everlight and Freescale. Main products comprise IC,Modules,Potentiometer,IC Socket,Relay,Connector.Our parts cover such applications as commercial,industrial, and automotives areas.

We are looking forward to setting up business relationship with you and hope to provide you with the best service and solution. Let us make a better world for our industry!



Contact us

Tel: +86-755-8981 8866 Fax: +86-755-8427 6832

Email & Skype: info@chipsmall.com Web: www.chipsmall.com

Address: A1208, Overseas Decoration Building, #122 Zhenhua RD., Futian, Shenzhen, China



Thin Film Limiter Module 5 to 3000 MHz

Rev. V2

Features

- VOLTAGE VARIABLE LIMITING LEVEL: -10 TO 0 dBm
- LOW INSERTION LOSS AT LOW INPUT LEVELS: < 2.0 dB (TYP.)
- GOOD SUPPRESSION OF EVEN ORDER HARMONICS DUE TO BALANCED CIRCUIT DESIGN
- EXCELLENT PHASE RESPONSE 0.3 DEGREE / dB TO 160 MHz (TYP.)

Description

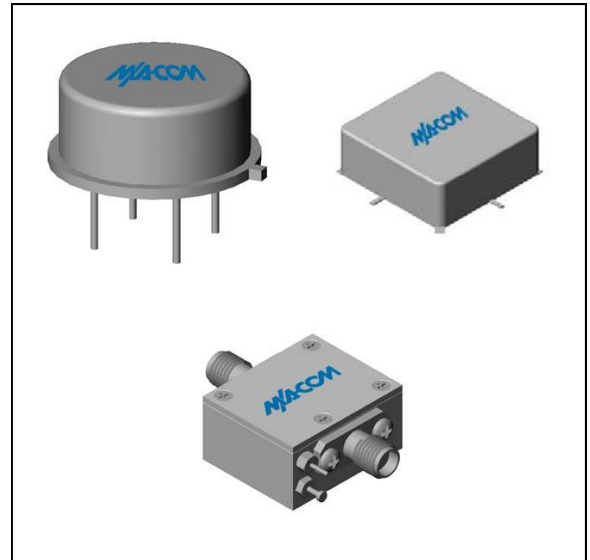
The L1 signal limiter is a discrete hybrid design, which uses thin film manufacturing processes for accurate performance and high reliability. This design uses Schottky bridge quad and anti-parallel diodes, which provide consistent limiting levels over a broadband frequency range. Both TO-8 and SMTO-8 packages are hermetically sealed, and MIL-STD-883 environmental screening is available.

Ordering Information

Part Number	Package
L1	TO-8
SML1	Surface Mount
CL1 **	SMA Connectorized

** The connectorized version is not RoHs compliant.

Product Image



Electrical Specifications: $Z_0 = 50\Omega$, $V_{CC} = +15 V_{DC}$

Parameter	Units	Typical	Guaranteed	
		25°C	0° to 50°C	-54° to +85°C*
Frequency	MHz	5-3200	5-3000	5-3000
Insertion Loss @ $P_{IN} \leq -20$ dBm (max.)	5-1000 MHz	2.0	3.0	3.5
	1000-3000 MHz	3.0	4.5	4.5
Input VSWR (max.) $P_{IN} \leq -10$ dBm, $+10 \leq \text{Bias} \leq +20 V_{dc}$		1.7:1	1.9:1	2.1:1
Output VSWR (max.) $P_{IN} \leq -10$ dBm, $+10 \leq \text{Bias} \leq +20 V_{dc}$	5-1000 MHz	1.7:1	2.0:1	2.2:1
	1000-3000 MHz	2.0:1	2.3:1	2.5:1
Output Limiting Level @ $P_{IN} = +20$ dBm (max.)	5-2000 MHz	2.5	4.0	4.5
	2000-3000 MHz	6.5	7.0	7.0
Bias Current (max.)	@ 15 Vdc	7.0	9.0	10.0
	@ 20 Vdc	10.0		

* Over temperature performance limits for part number CL1, guaranteed from 0°C to +50°C only.

Absolute Maximum Ratings

Parameter	Absolute Maximum
Storage Temperature	-62°C to +125°C
Case Temperature	+125°C
DC Voltage	+25 V
Continuous Input Power	+20 dBm
Short Term Input power (1 minute max.)	400 mW
Peak Power (3 μ sec max.)	1 W
"S" Series Burn-In Temperature (case)	+125°C

Limiting and Insertion Loss Characteristics at +25°C

Bias Voltage	Output Level at Limiting Threshold (1 dB comp.)		
	50 MHz	Typical 500 MHz	1000 MHz
+20 Volts	-0.8 dBm	-1.0 dBm	-1.0 dBm
+15 Volts	-2.0 dBm	-2.0 dBm	-2.2 dBm
+10 Volts	-4.5 dBm	-5.0 dBm	-5.5 dBm
+5 Volts	-11.5 dBm	-11.8 dBm	-12.0 dBm

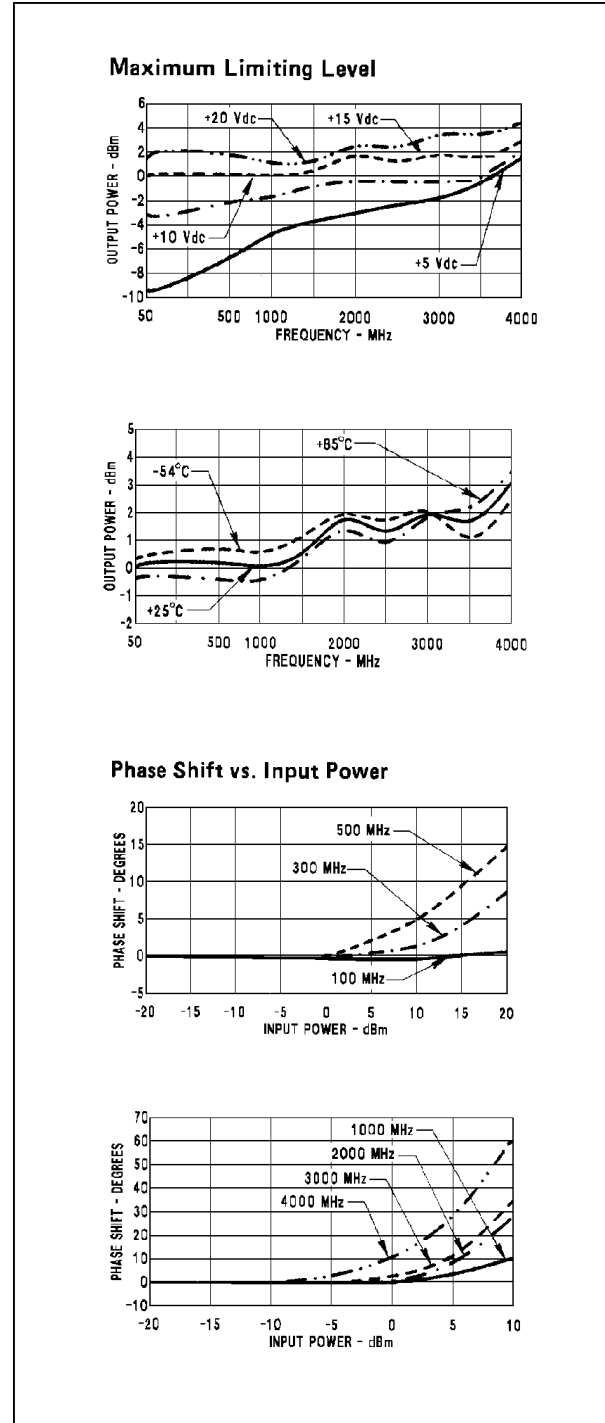
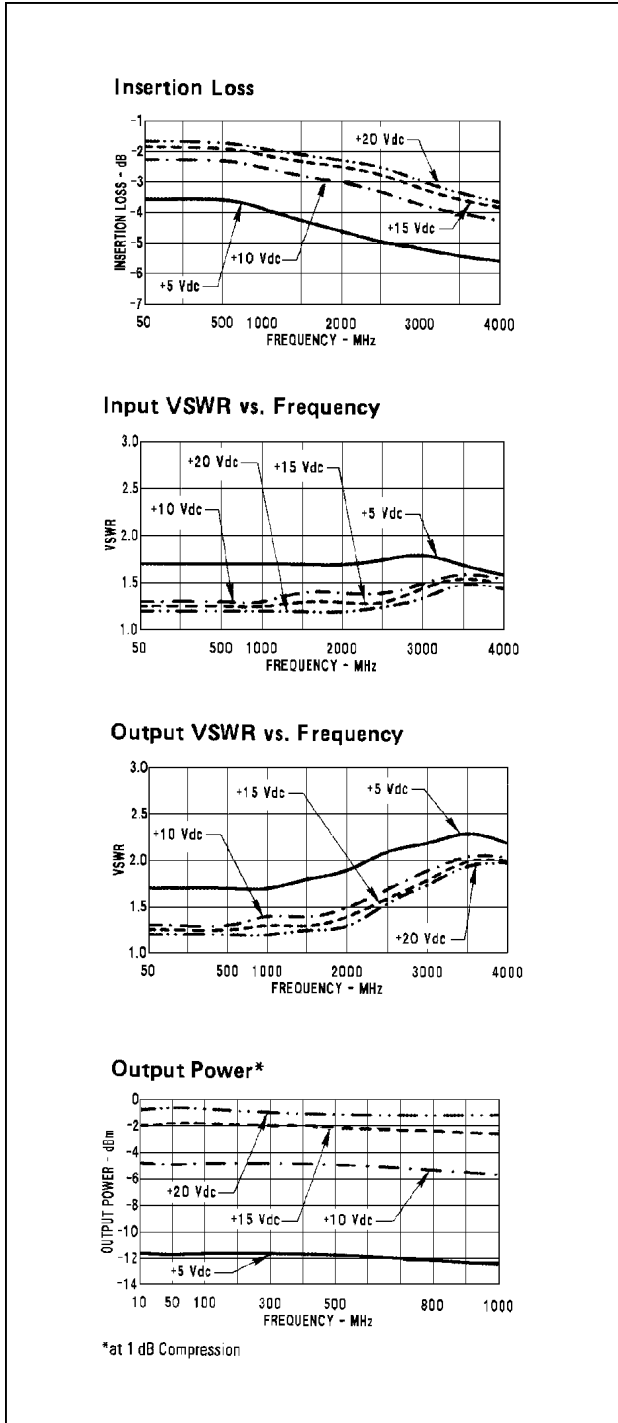
ADVANCED: Data Sheets contain information regarding a product M/A-COM Technology Solutions is considering for development. Performance is based on target specifications, simulated results, and/or prototype measurements. Commitment to develop is not guaranteed.

PRELIMINARY: Data Sheets contain information regarding a product M/A-COM Technology Solutions has under development. Performance is based on engineering tests. Specifications are typical. Mechanical outline has been fixed. Engineering samples and/or test data may be available. Commitment to produce in volume is not guaranteed.

• **North America** Tel: 800.366.2266 • **Europe** Tel: +353.21.244.6400
 • **India** Tel: +91.80.4155721 • **China** Tel: +86.21.2407.1588
 Visit www.macomtech.com for additional data sheets and product information.

M/A-COM Technology Solutions Inc. and its affiliates reserve the right to make changes to the product(s) or information contained herein without notice.

Typical Performance Curves at +25°C

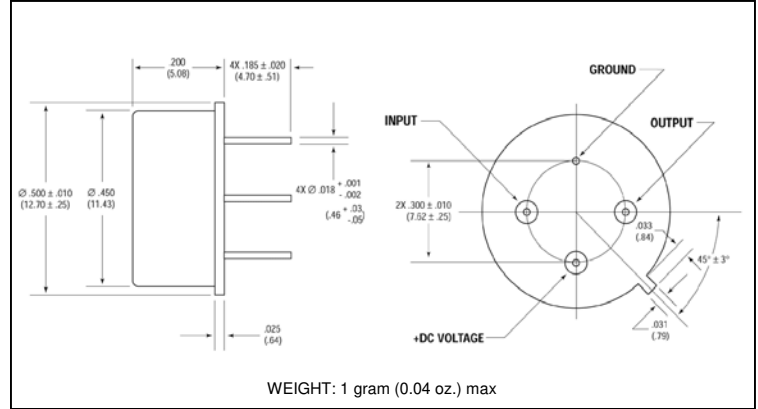
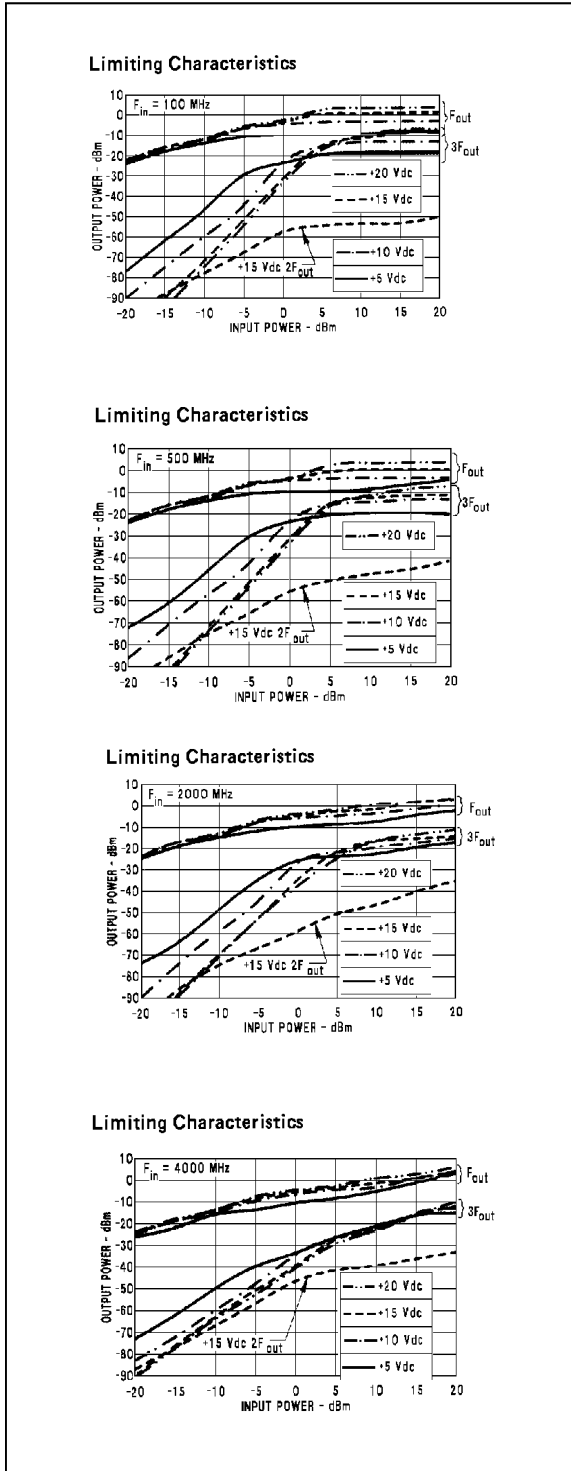


Thin Film Limiter Module 5 to 3000 MHz

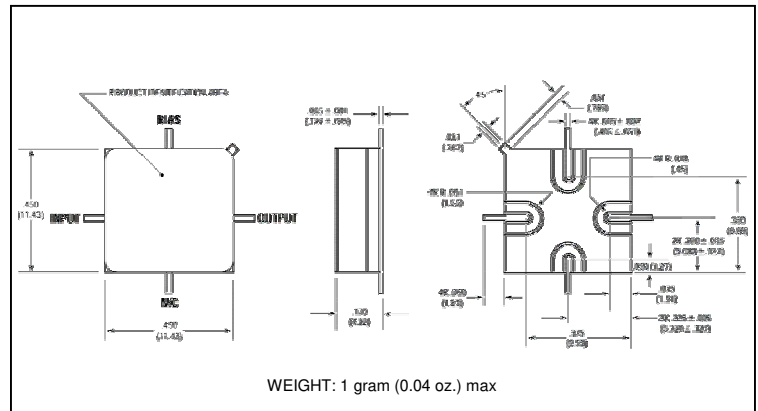
Rev. V2

Typical Performance Curves at +25°C

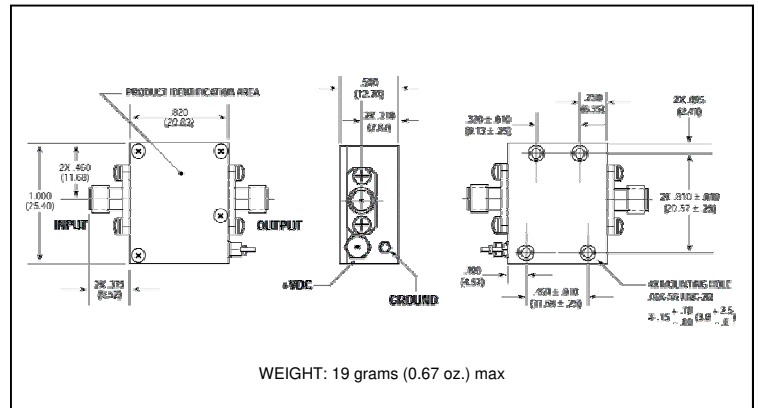
Outline Drawing: TO-8 *



Outline Drawing: Surface Mount *



Outline Drawing: SMA Connectorized *



* Dimensions are inches (millimeters) ± 0.015 (0.38) unless otherwise specified.