



Chipsmall Limited consists of a professional team with an average of over 10 year of expertise in the distribution of electronic components. Based in Hongkong, we have already established firm and mutual-benefit business relationships with customers from,Europe,America and south Asia,supplying obsolete and hard-to-find components to meet their specific needs.

With the principle of “Quality Parts,Customers Priority,Honest Operation,and Considerate Service”,our business mainly focus on the distribution of electronic components. Line cards we deal with include Microchip,ALPS,ROHM,Xilinx,Pulse,ON,Everlight and Freescale. Main products comprise IC,Modules,Potentiometer,IC Socket,Relay,Connector.Our parts cover such applications as commercial,industrial, and automotives areas.

We are looking forward to setting up business relationship with you and hope to provide you with the best service and solution. Let us make a better world for our industry!



Contact us

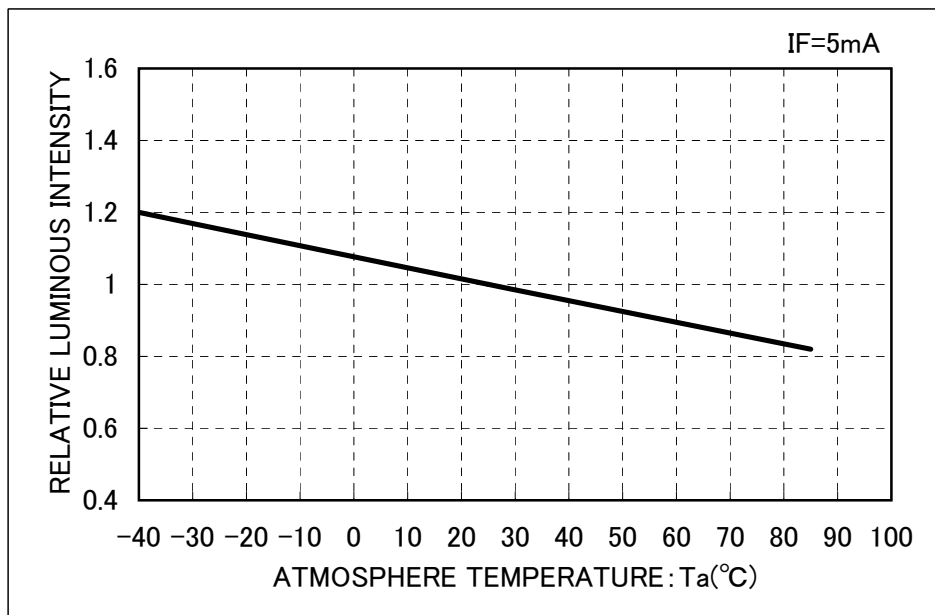
Tel: +86-755-8981 8866 Fax: +86-755-8427 6832

Email & Skype: info@chipsmall.com Web: www.chipsmall.com

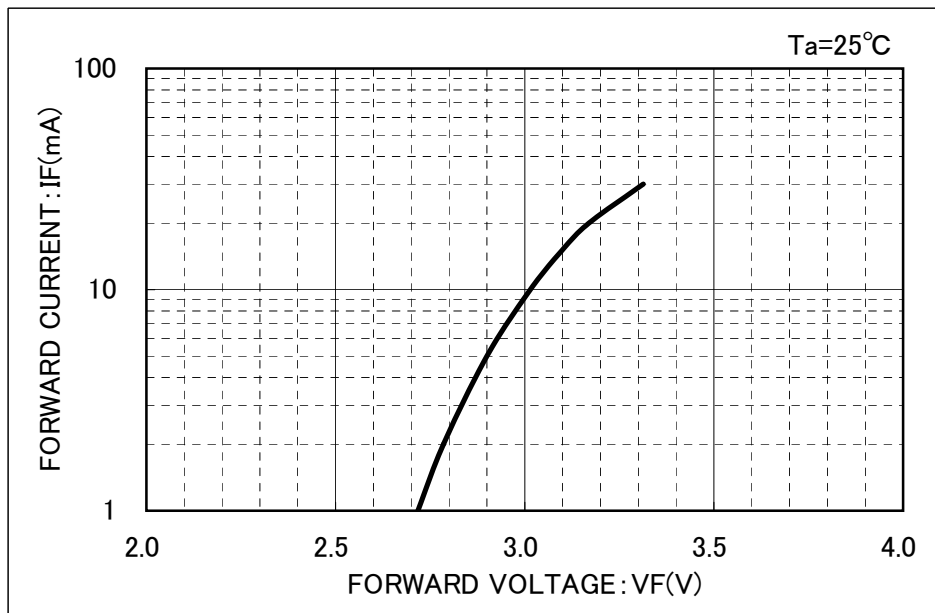
Address: A1208, Overseas Decoration Building, #122 Zhenhua RD., Futian, Shenzhen, China



RELATIVE LUMINOUS INTENSITY – ATMOSPHERE TEMPERATURE
光度 – 周囲温度特性

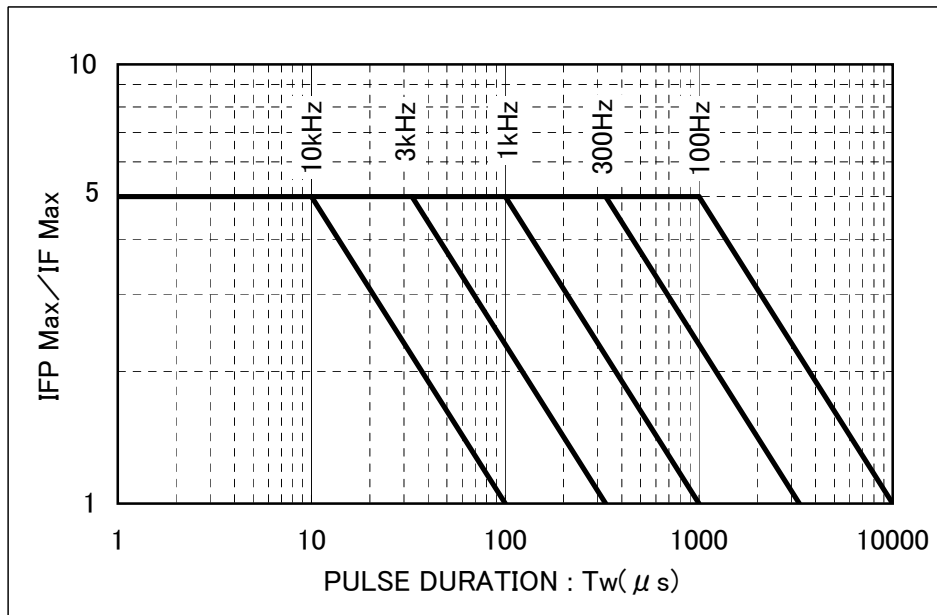


FORWARD CURRENT – FORWARD VOLTAGE
順方向電流 – 順方向電圧特性

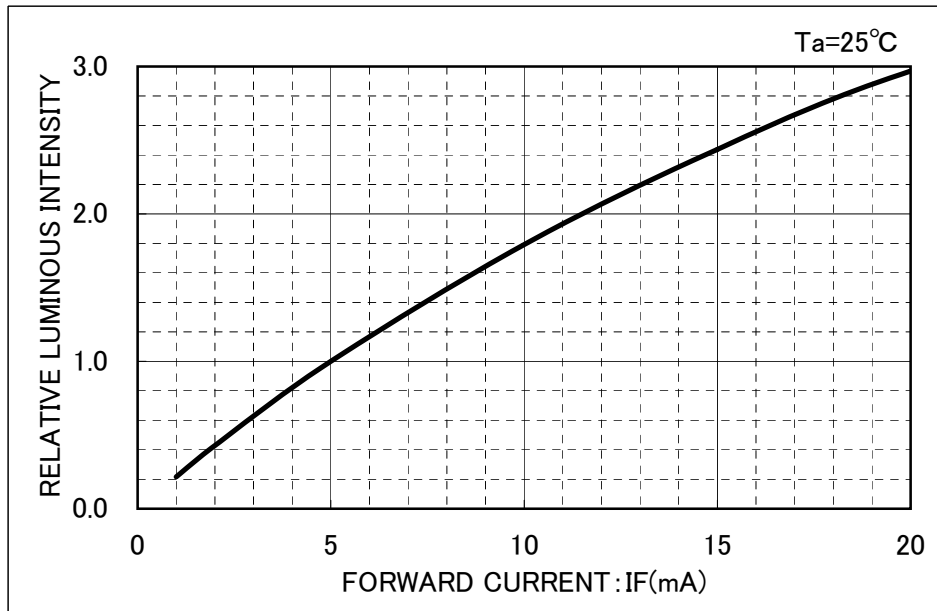


Reference

RATIO OF MAXIMUM TOLERABLE PEAK CURRENT – PULSE DURATION
最大許容ピーク電流 – パルス幅特性

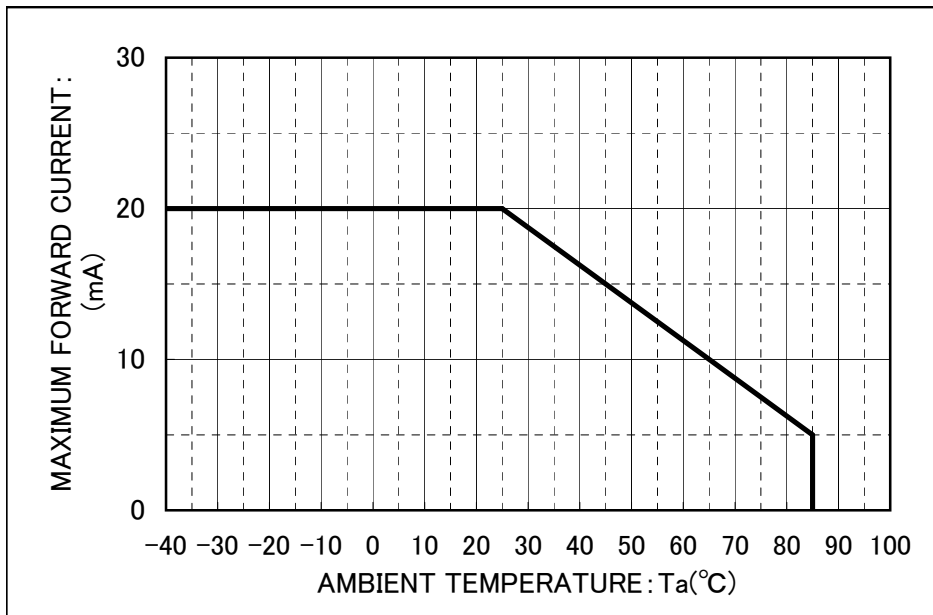


RELATIVE LUMINOUS INTENSITY – FORWARD CURRENT
光度 – 順方向電流特性

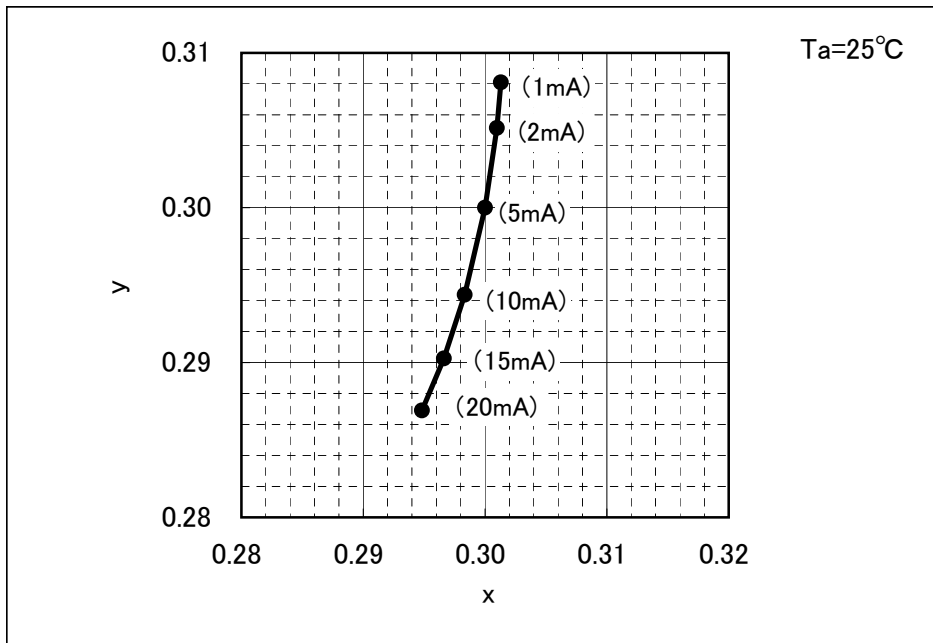


Reference

DERATING
デイレイティング特性



FORWARD CURRENT – CHROMATICITY DIAGRAM
順方向電流 – 色度図特性

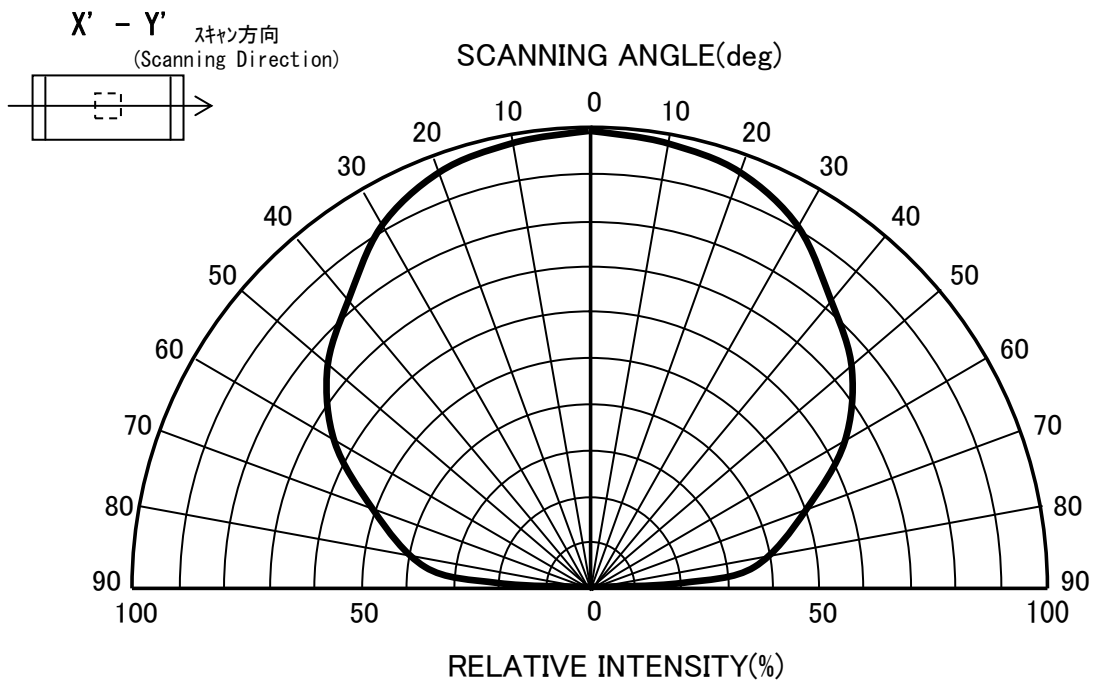
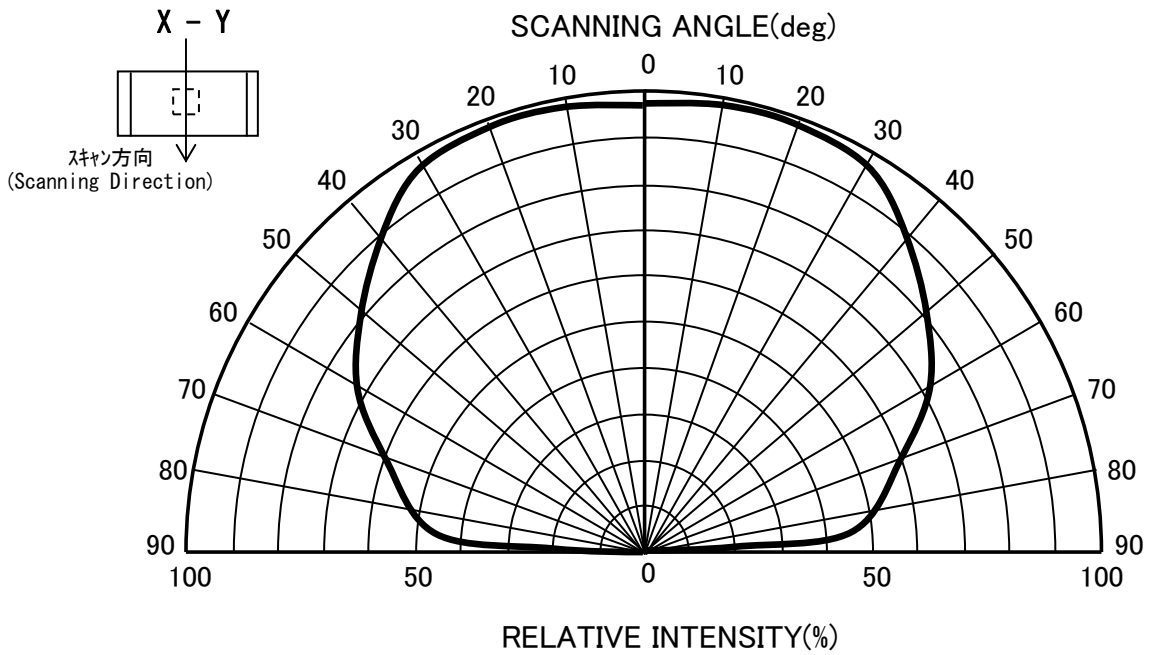


※当データは、特定Lotの実力データであり保証値ではありません。

※This data is actual value from specific lot and is not guaranteed.

Reference

RELATIVE LUMINOUS INTENSITY – VIEWING ANGLE
指向特性



Reference