



Chipsmall Limited consists of a professional team with an average of over 10 year of expertise in the distribution of electronic components. Based in Hongkong, we have already established firm and mutual-benefit business relationships with customers from,Europe,America and south Asia,supplying obsolete and hard-to-find components to meet their specific needs.

With the principle of "Quality Parts,Customers Priority,Honest Operation,and Considerate Service",our business mainly focus on the distribution of electronic components. Line cards we deal with include Microchip,ALPS,ROHM,Xilinx,Pulse,ON,Everlight and Freescale. Main products comprise IC,Modules,Potentiometer,IC Socket,Relay,Connector.Our parts cover such applications as commercial,industrial, and automotives areas.

We are looking forward to setting up business relationship with you and hope to provide you with the best service and solution. Let us make a better world for our industry!



Contact us

Tel: +86-755-8981 8866 Fax: +86-755-8427 6832

Email & Skype: info@chipsmall.com Web: www.chipsmall.com

Address: A1208, Overseas Decoration Building, #122 Zhenhua RD., Futian, Shenzhen, China



NOTES:

1. MATERIALS AND FINISHES:

BODY & CONTACT - BeCu, GOLD PLATING
INSULATOR - PTFE, NATURAL
CAP - BRASS, GOLD PLATING
RETAINER RING - BeCu, NICKEL PLATING

2. ELECTRICAL:

A. IMPEDANCE: 50 OHM
B. FREQUENCY RANGE: DC - 26.5 GHz
C. VSWR (RETURN LOSS): 1.20 MAX. (-20.80 dB MIN.) @ DC - 18 GHz
1.35 MAX. (-15.60 dB MIN.) @ 18 - 26.5 GHz
D. DIELECTRIC WITHSTANDING VOLTAGE: 500 VRMS, MIN.

3. MECHANICAL:

A. DURABILITY: 100 CYCLES MIN. WHEN MATED FULL DETENT JACK
500 CYCLES MIN. WHEN MATED LIMITED DETENT JACK
1000 CYCLES MIN. WHEN MATED A SMOOTH BORE JACK
B. TEMPERATURE RANGE: -65°C TO +165°C
C. MATING FORCES (PER DSCC #94007):
ENGAGEMENT: FULL DETENT: 15 LBS (67 N) MAX. LIMITED DETENT: 2 LBS (9 N) MIN. SMOOTH BORE: 2 LBS (9 N) MAX.
DISENGAGEMENT: FULL DETENT: 2 LBS (9 N) MIN. LIMITED DETENT: 2 LBS (9 N) MIN. SMOOTH BORE: 0.5 LBS (2.2 N) MIN.

4. PACKAGING:

A. QUANTITY: SINGLE PACK
B. MARKING: BAG TO BE MARKED
"AMPHENOL RF, SMP-FR-C07-1, DATE CODE"

5. CABLE ASSEMBLY INSTRUCTIONS:

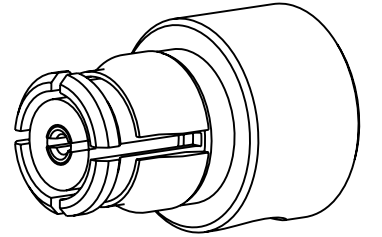
A. SEE AMPHENOL SPEC 349-50687.

6 SHOWS CABLE ENTRY DIMENSIONS.

THIRD ANGLE PROJ.

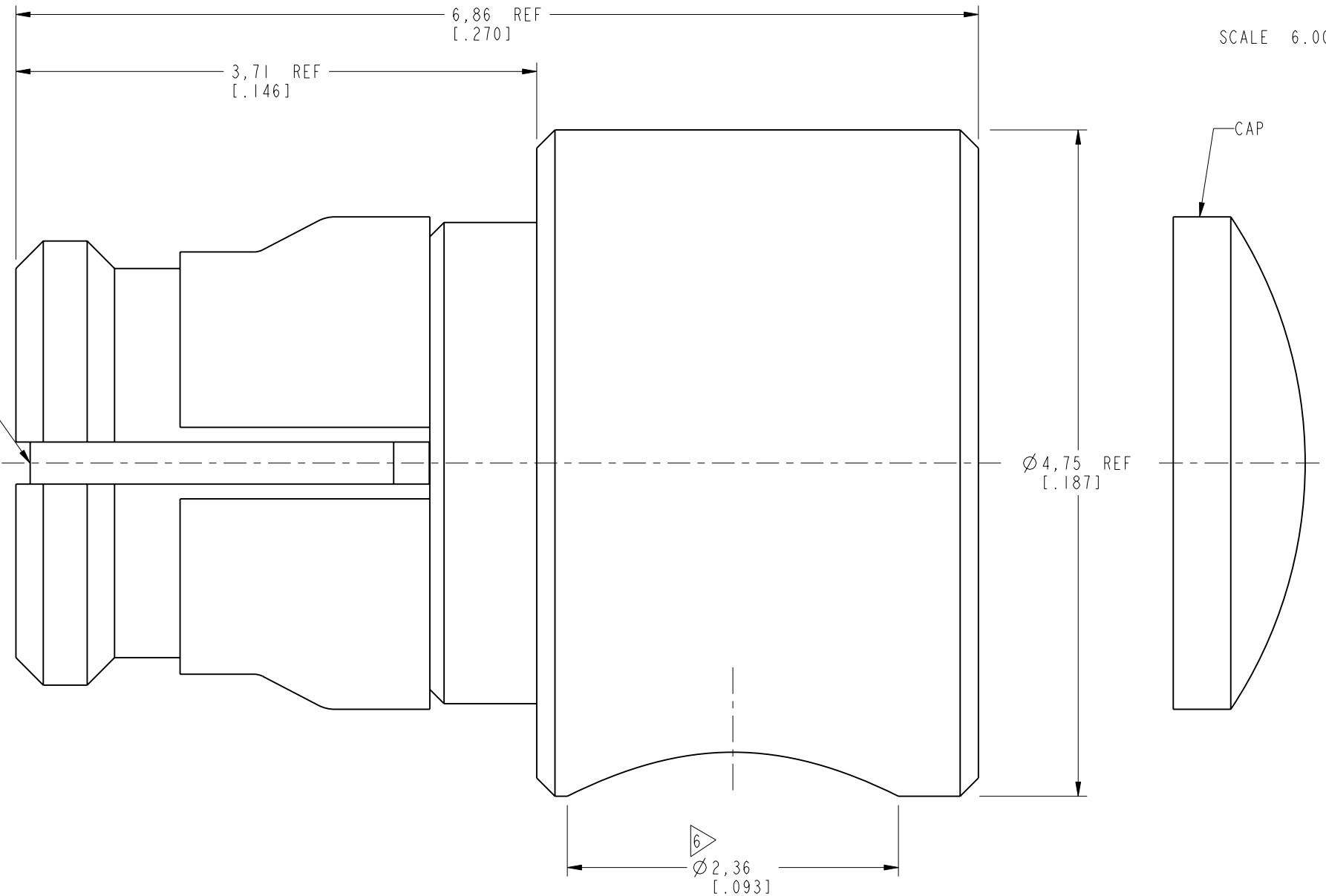
REVISIONS

REV	DESCRIPTION	DATE	ECO	APPR
A	RELEASE TO MFG	30-May-18	08221	BMG



SCALE 6.000

INTERFACE PER MIL-STD-348 SERIES: SMP PLUG



CUSTOMER OUTLINE DRAWING
ALL OTHER SHEETS ARE FOR INTERNAL USE ONLY

UNLESS OTHERWISE SPECIFIED, DIMENSIONS ARE IN METRIC AND TOLERANCES ARE:
<0.5mm ±0.05mm 0.5 - 6mm ±0.1mm 6 - 30mm ±0.2mm 30 - 120mm ±0.3mm ANGLES ±1°

NOTICE - These drawings, specifications, or other data (1) are, and remain the property of Amphenol corp. (2) must be returned upon request; and (3) are confidential and not to be disclosed to any person other than those to whom they are given by Amphenol Corp. the furnishing of these drawings, specifications, or other data by Amphenol Corp., or to any other person to anyone for any purpose is not to be regarded by implication or otherwise in any manner licensing, granting rights to permitting such holder or any other person to manufacture, use or sell any product, process or design, patented or otherwise, that may in any way be related to or disclosed by said drawings, specifications, or other data.

MATERIAL	SEE NOTES
REFERENCE	EAR# 8016 AND SMP-FR-C07
CONFIGURATION LEVEL:	In Work
FINISH	

DRAWN	K. SONG	DATE	02-Jun-18
ENGINEER	ANANDH G	DATE	05-Dec-17
APPROVED	S. HSIEH	DATE	05-Jun-18
CAD FILE			

TITLE	SMP R/A PLUG WITH ANTI-ROCK RING FOR RG405 OR .086" SEMI RIGID	
SCALE:	25.0:1.0	SHEET 2 OF 2
DWG SIZE	B	REV A

Amphenol RF	
www.amphenolrf.com	
DRAWING NO.	SMP-FR-C07-1
ITEM NO.	SMP-FR-C07-1
PART NO.	SMP-FR-C07-1