



Chipsmall Limited consists of a professional team with an average of over 10 year of expertise in the distribution of electronic components. Based in Hongkong, we have already established firm and mutual-benefit business relationships with customers from,Europe,America and south Asia,supplying obsolete and hard-to-find components to meet their specific needs.

With the principle of “Quality Parts,Customers Priority,Honest Operation,and Considerate Service”,our business mainly focus on the distribution of electronic components. Line cards we deal with include Microchip,ALPS,ROHM,Xilinx,Pulse,ON,Everlight and Freescale. Main products comprise IC,Modules,Potentiometer,IC Socket,Relay,Connector.Our parts cover such applications as commercial,industrial, and automotives areas.

We are looking forward to setting up business relationship with you and hope to provide you with the best service and solution. Let us make a better world for our industry!



Contact us

Tel: +86-755-8981 8866 Fax: +86-755-8427 6832

Email & Skype: info@chipsmall.com Web: www.chipsmall.com

Address: A1208, Overseas Decoration Building, #122 Zhenhua RD., Futian, Shenzhen, China



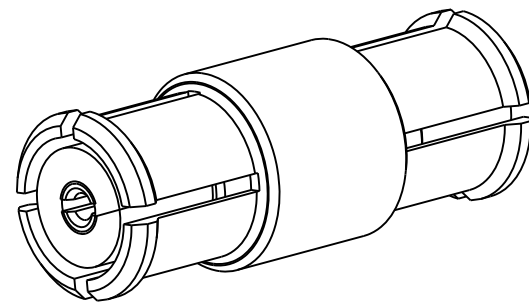
NOTES:

1. MATERIALS AND FINISHES:
 BODY - BeCu, GOLD PLATING (.000004 THICK) OVER
 HIGH PHOS ELECTROLESS NICKEL (.000100 THICK)
 CONTACT - BeCu, GOLD PLATING (.000004 THICK) OVER
 HIGH PHOS ELECTROLESS NICKEL (.000100 THICK)
 INSULATOR - PTFE
2. ELECTRICAL:
 A. IMPEDANCE: 50 OHM
 B. FREQUENCY RANGE: DC - 26.5 GHz
 C. VSWR(RETURN LOSS): 1.07 (30 dB), MAX. DC-4 GHz
 1.29 (18 dB), MAX. DC-12 GHz
 1.50 (14 dB), MAX. DC-18 GHz
 D. DIELECTRIC WITHSTANDING VOLTAGE: 500 VRMS, MIN.
3. MECHANICAL:
 A. DURABILITY: 100 CYCLES MIN. FULL DETENT
 500 CYCLES MIN. LIMITED DETENT
 1000 CYCLES MIN. SMOOTH BORE
 B. TEMPERATURE RANGE: -65° C TO 165° C
4. PACKAGING:
 A. QUANTITY: SINGLE PACK
 B. MARKING: BAG TO BE MARKED
 "AMPHENOL RF, SMP-FSBA-090, AND DATE CODE"

THIRD ANGLE PROJ.

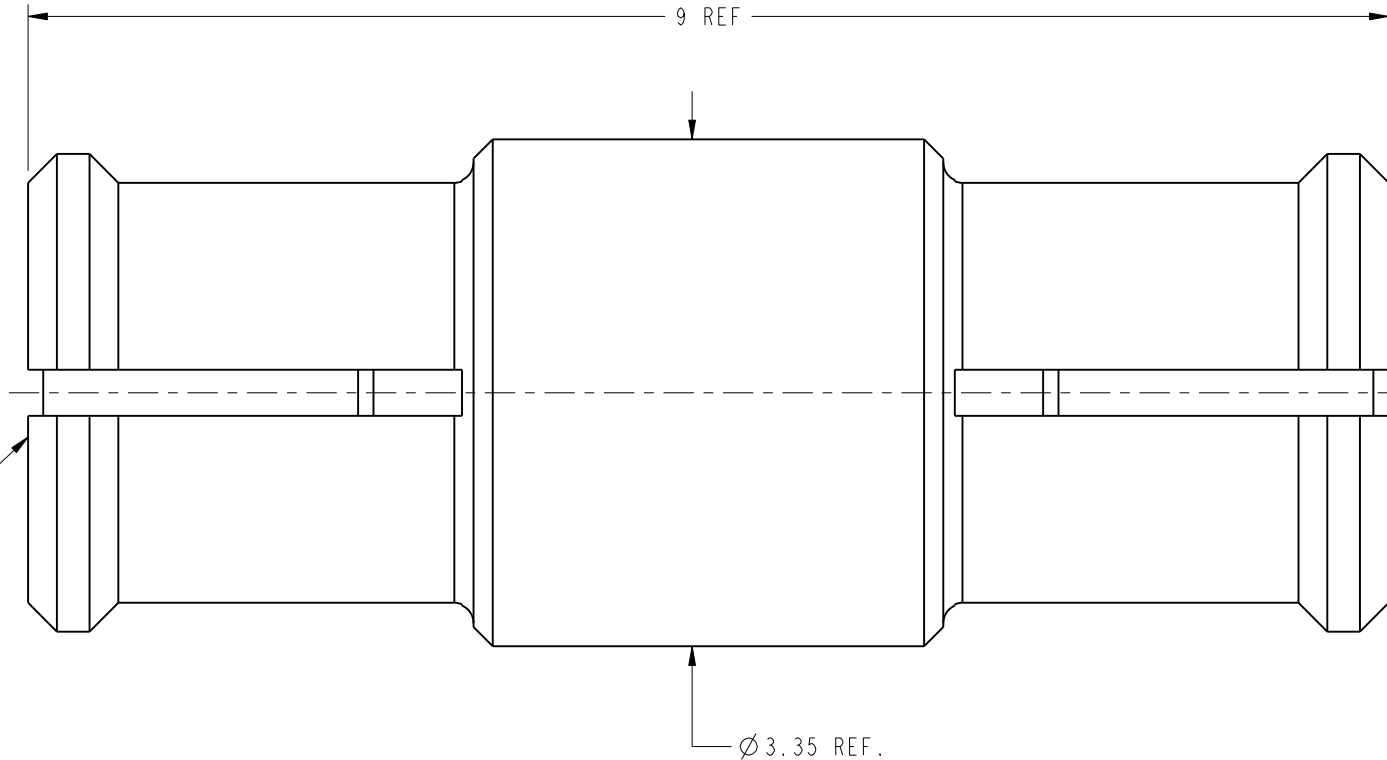
REVISIONS

REV	DESCRIPTION	DATE	ECO	APPR
A	RELEASE TO MFG.	11-Mar-13	49485	TD



SCALE 8.000

INTERFACE PER
 MIL-STD-348
 SERIES: SMP PLUG
 BOTH SIDES



CUSTOMER OUTLINE DRAWING

ALL OTHER SHEETS ARE FOR INTERNAL USE ONLY

UNLESS OTHERWISE SPECIFIED, DIMENSIONS ARE IN METRIC AND TOLERANCES ARE:
 <0.5mm ±0.05mm 0.5 - 6mm ±0.1mm 6 - 30mm ±0.2mm 30 - 120mm ±0.3mm ANGLES ±1°

NOTICE - These drawings, specifications, or other data (1) are, and remain the property of Amphenol corp. (2) must be returned upon request; and (3) are confidential and not to be disclosed to any person other than those to whom they are given by Amphenol Corp. the furnishing of these drawings, specifications, or other data by Amphenol Corp., or to any other person to anyone for any purpose is not to be regarded by implication or otherwise in any manner licensing, granting rights to permitting such holder or any other person to manufacture, use or sell any product, process or design, patented or otherwise, that may in any way be related to or disclosed by said drawings, specifications, or other data.

MATERIAL SEE NOTES	DRAWN T. DENG	DATE 11-Mar-13	TITLE SMP BULLET 9 MM LONG	Amphenol RF www.amphenolrf.com	
	ENGINEER KARTHIK R	DATE 04-Jun-12			
	REFERENCE EAR # 5340	APPROVED S. HSIEH	DATE 11-Mar-13	SCALE: 20.0:1.0 SHEET 2 OF 2	DRAWING NO. SMP-FSBA-090
	CONFIGURATION LEVEL: □□□□	CAD FILE	DWG SIZE B	REV A	ITEM NO. SMP-FSBA-090 PART NO. SMP-FSBA-090
FINISH					