



Chipsmall Limited consists of a professional team with an average of over 10 year of expertise in the distribution of electronic components. Based in Hongkong, we have already established firm and mutual-benefit business relationships with customers from,Europe,America and south Asia,supplying obsolete and hard-to-find components to meet their specific needs.

With the principle of “Quality Parts,Customers Priority,Honest Operation,and Considerate Service”,our business mainly focus on the distribution of electronic components. Line cards we deal with include Microchip,ALPS,ROHM,Xilinx,Pulse,ON,Everlight and Freescale. Main products comprise IC,Modules,Potentiometer,IC Socket,Relay,Connector.Our parts cover such applications as commercial,industrial, and automotives areas.

We are looking forward to setting up business relationship with you and hope to provide you with the best service and solution. Let us make a better world for our industry!



## Contact us

Tel: +86-755-8981 8866 Fax: +86-755-8427 6832

Email & Skype: info@chipsmall.com Web: www.chipsmall.com

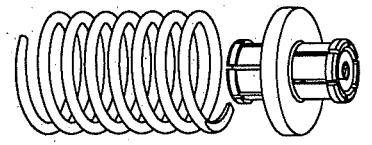
Address: A1208, Overseas Decoration Building, #122 Zhenhua RD., Futian, Shenzhen, China



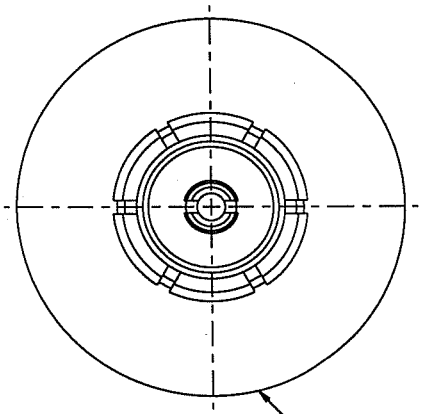
- NOTES:
- MATERIALS AND FINISHES (PLATING THICKNESS IN MICRO-INCHES):  
 BODY - BERYLLIUM COPPER, GOLD PLATING  
 CONTACT - BERYLLIUM COPPER, GOLD PLATING  
 INSULATOR - PTFE
  - ELECTRICAL:  
 A. IMPEDANCE: 50 OHM  
 B. FREQUENCY RANGE: DC - 26.5 GHz  
 C. VSWR (RETURN LOSS): 1.2 (20.8 dB), MAX. DC-10GHz  
                                   1.4 (15.6 dB), MAX. 10-18GHz  
                                   1.5 (14 dB), MAX. 18-26.5GHz  
 D. DIELECTRIC WITHSTANDING VOLTAGE: 500 VRMS, MIN.
  - PHYSICAL:  
 A. DURABILITY: 100 CYCLES MIN.  
 B. ENGAGEMENT FORCE: 15 LB [67 N] MAX  
 C. DISINGAGEMENT FORCE: 2 LB [9 N] MIN  
 E. TEMPERATURE RANGE: -65° C TO 165° C
  - PACKAGING:  
 A. QUANTITY: SINGLE PACK  
 B. MARKING: AMPHENOL, SMP-FSBA-594, DATE CODE

THIRD ANGLE PROJ.

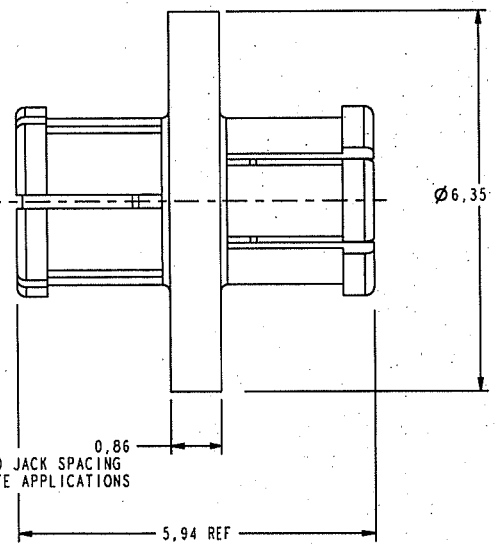
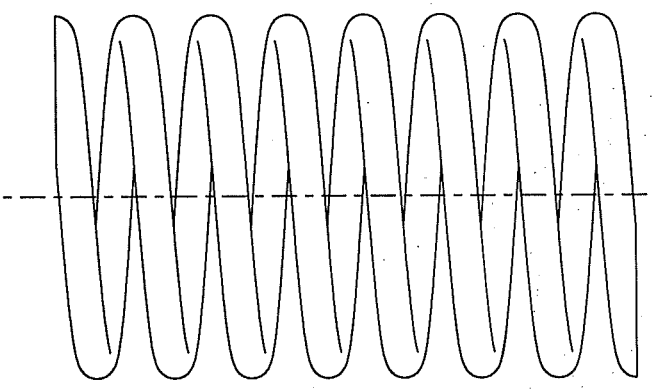
REVISIONS				
REV	DESCRIPTION	DATE	ECO	APPR
A	RELEASE TO MFG	20-Aug-08	47191	



SCALE 4.000



SPRING NOT SHOWN



REQUIRED JACK TO JACK SPACING FOR BLIND MATE APPLICATIONS

**CUSTOMER OUTLINE DRAWING**  
 ALL OTHER SHEETS ARE FOR INTERNAL USE ONLY

UNLESS OTHERWISE SPECIFIED, DIMENSIONS ARE IN METRIC AND TOLERANCES ARE: 0.5 - 6mm ±0.1mm    6 - 30mm ±0.2mm    30 - 120mm ±0.3mm    ANGLES ±1° NOTICE - These drawings, specifications, or other data (1) are, and remain the property of Amphenol Corp. (2) must be returned upon request; and (3) are confidential and not to be disclosed to any person other than those to whom they are given by Amphenol Corp. The finishing of these drawings, specifications, or other data by Amphenol Corp., or to any other person to anyone for any purpose is not to be regarded by implication or otherwise in any manner licensing, granting rights to permitting such holder or any other person to manufacture, use or sell any product, process or design, patented or otherwise, that may in any way be related to or disclosed by said drawings, specifications, or other data.	MATERIAL  REFERENCE EAR # 1965 AND 615X-2227-900 CONFIGURATION LEVEL: Released	DRAWN H. PARIKH    DATE 09-Jun-06	TITLE SMP TYPE BULLET PLUG F-F	Amphenol RF Danbury CT USA, Tainan, Taiwan, Shenzhen, China www.amphenolrf.com	
		ENGINEER H. PARIKH    DATE 09-Jun-06		APPROVED K. CAPOZZI    DATE 8/5/08	SCALE: 12.0:1.0    SHEET 2 OF 2
	FINISH	CAD FILE I:\SMP\SMP-FSBA-594	DWG SIZE B	CODE ID 74868	REV A
				ITEM NO. SMP-FSBA-594 PART NO. SMP-FSBA-594	